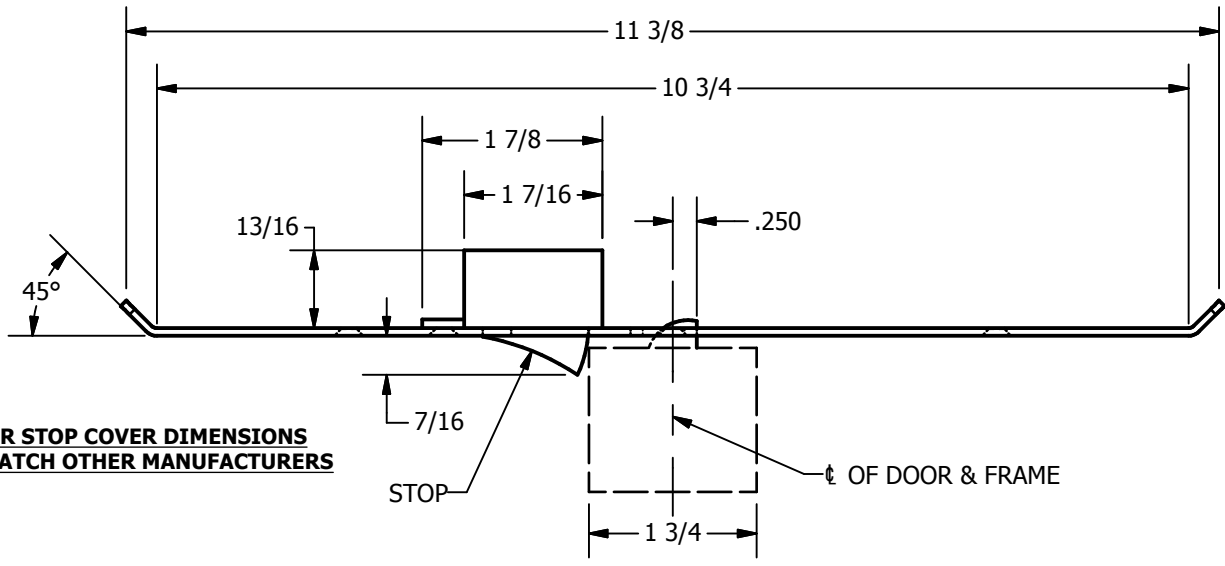
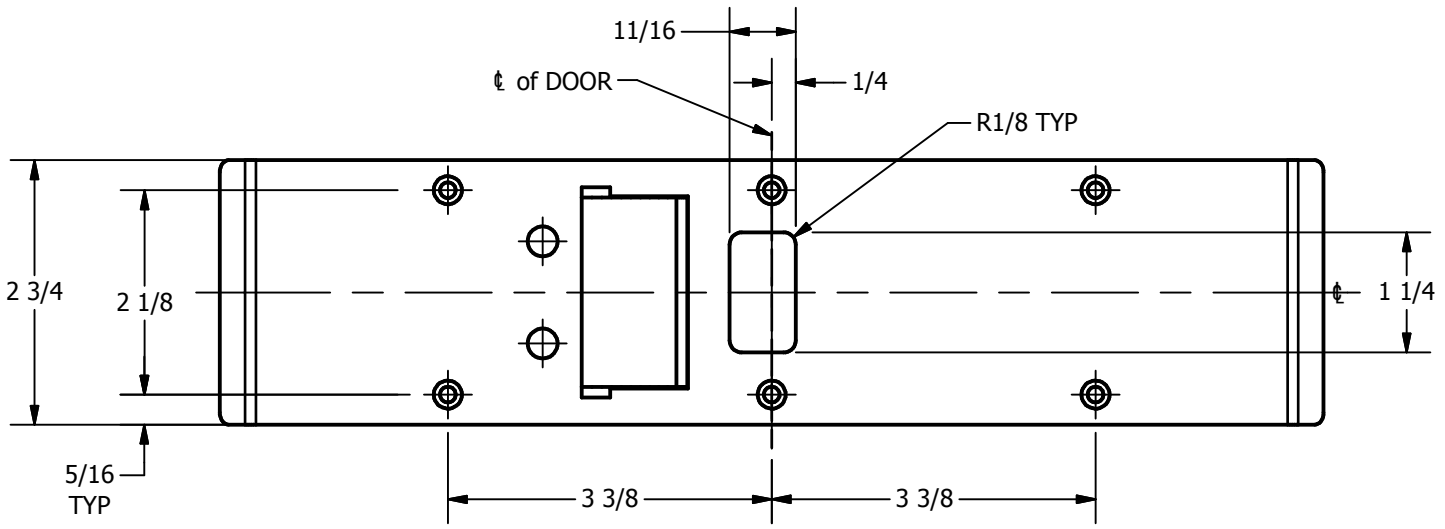


**SP-CR910 CUSTOM 4590 TYPE DOUBLE LIPPED STRIKE AND RESCUE STOP**  
 FOR 1-3/4" DOOR, CENTER HUNG DOOR, CYLINDRICAL LATCH, 10-3/4" FRAME

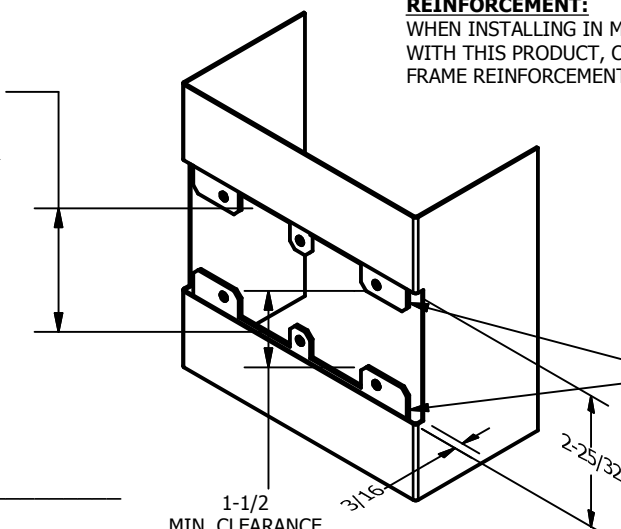


**ABH DOOR STOP COVER DIMENSIONS  
 MAY NOT MATCH OTHER MANUFACTURERS**



**REINFORCEMENT:**  
 WHEN INSTALLING IN METAL FRAME, REINFORCEMENT IS **NEEDED**  
 WITH THIS PRODUCT, CUSTOMER OR FRAME MANUFACTURER TO SUPPLY  
 FRAME REINFORCEMENT WITH LATCH BOLT CLEARANCE

2-5/16  
 MIN. CLEARANCE  
 FOR DOOR STOP COVER  
 CENTERED



(2) REINFORCEMENT PLATES  
 SUPPLIED BY DOOR FRAME  
 MANUFACTURER

- NOTE:**
1. HORIZONTAL CENTERLINE OF PLATE TO MATCH HORIZONTAL CENTERLINE OF CUTOUT.
  2. SCREWS 8-32 X 3/8" UNDERCUT F.H.M.S.
  3. R.H. DOOR SHOWN, L.H. OPPOSITE

ORDER #: \_\_\_\_\_  
 ORDER DATE: \_\_\_\_\_  
 CUSTOMER: \_\_\_\_\_  
 CUSTOMER PO#: \_\_\_\_\_  
 MATERIAL: \_\_\_\_\_  
 QUANTITY: \_\_\_\_\_

1-1/2  
 MIN. CLEARANCE  
 FOR DOOR STRIKE  
 CENTERED

**CUT-OUT FOR  
 METAL JAMB**

**Architectural Builders Hardware Mfg., Inc.**

1222 Ardmore Ave., Itasca, IL 60143  
 630.875.9900; FAX 800.9FAXABH (932.9224)  
 www.abhmfg.com  
 Email: abhinfo@abhmfg.com