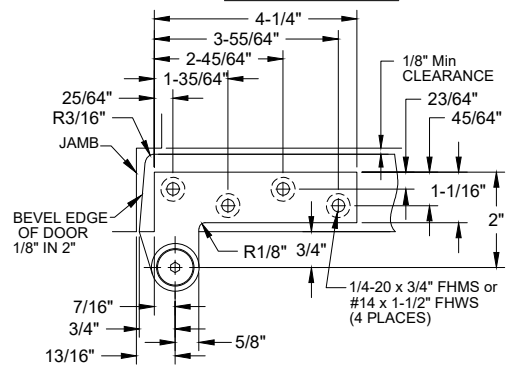
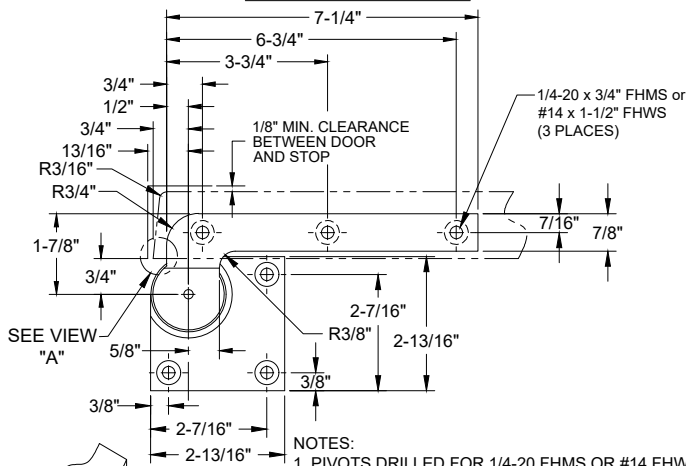


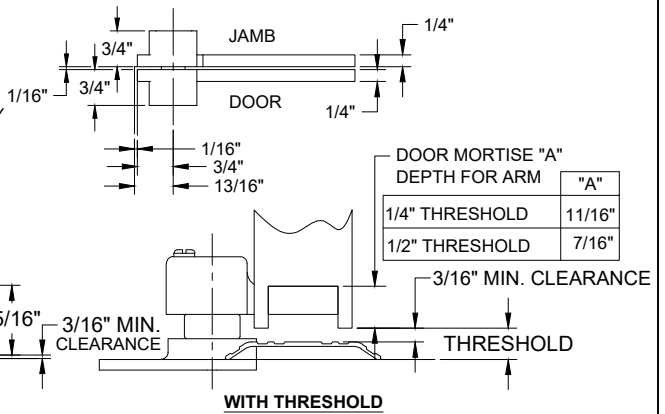
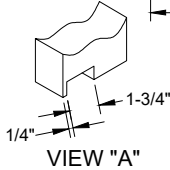
# 0117 PIVOT SET, 3/4" OFFSET, HANDED

## 0117 BOTTOM PIVOT

## 0180 TOP PIVOT

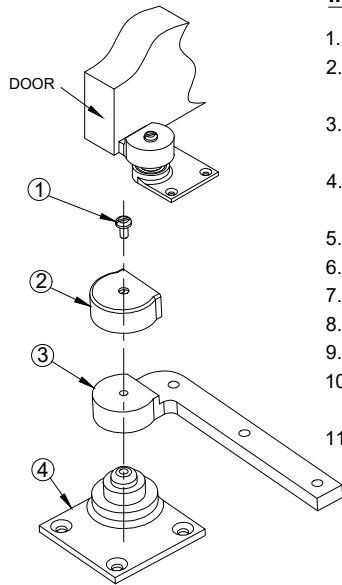
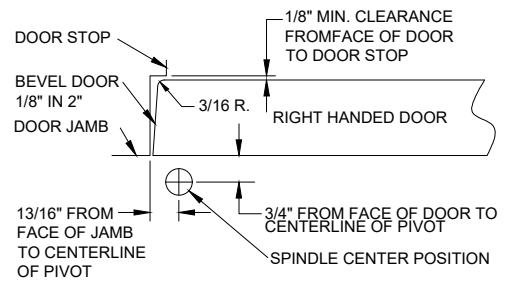


- NOTES:
1. PIVOTS DRILLED FOR 1/4-20 FHMS OR #14 FHWS.
  2. REINFORCING BY OTHERS.
  3. IT IS THE DOOR AND FRAME MANUFACTURERS RESPONSIBILITY TO CHECK THE HARDWARE SCHEDULE AND PREP THE DOORS AND FRAMES.
  4. MAXIMUM DEGREE OF OPENING, 180°, TRIM PREMITTING.
  5. RIGHT HANDED SHOWN.

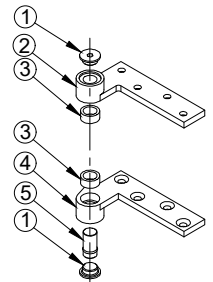
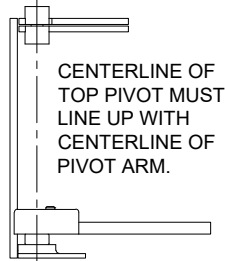


### INSTALLATION INSTRUCTIONS

1. MEASURE 13/16" OUT FROM DOOR JAMB.
2. ALLOW 1/8" MIN CLEARANCE FROM DOOR STOP TO DOOR FACE. MEASURE DOOR THICKNESS AND ADD 3/4".
3. WHERE THESE LINES INTERSECT DETERMINES THE CENTERLINE OF THE PIVOT POINT.
4. FLOOR PORTION MUST BE INSTALLED COMPLETELY LEVEL IN BOTH DIRECTIONS PER ILLUSTRATION.
5. INSTALL 0180 DOOR PORTION PER TEMPLATE.
6. INSTALL 0180 JAMB PORTION PER TEMPLATE.
7. INSTALL 0117 DOOR PORTION PER TEMPLATE.
8. IF 019 INTERMEDIATE PIVOT IS USED, SEE SEPERATE TEMPLATE.
9. SET DOOR ON 0117 FLOOR PORTION SPINDLE.
10. PUSH 0180 PIVOT PIN IN PLACE AND SECURELY TIGHTEN 0180 END CAP.
11. PUT 0117 ARM COVER ON AND SECURE TIGHTLY WITH 0117 COVER SCREW.



ITEM NO.	QTY.	PART NO.
1	1	0117 COVER SCREW
2	1	0117 ARM COVER
3	1	0117 DOOR PORTION
4	1	0117 FLOOR PORTION



ITEM NO.	QTY.	PART NO.
1	2	0180 END CAP
2	1	0180 JAMB PORTION
3	2	0180 NEEDLE BEARING
4	1	0180 DOOR PORTION
5	1	0180 PIVOT PIN

**Disclaimer:** This template is to be used for installation, as shown, of said product and is not suitable for every application method. Custom applications, where door sizes, weights and conflicting hardware are a factor, need to be addressed with ABH and proper instructions provided. ABH is not liable for failure or performance of the product due to improper installation methods and/or use. Improper use and/or installation of this product will void the standard warranty.



www.abhmfg.com  
 E-mail: abhinfo@abhmfg.com  
 Architectural Builders Hardware Mfg., Inc.  
 1222 Ardmore Ave., Itasca, IL 60143  
 630.875.9900; FAX 800.9FAXABH (932.9224)

© 2020 ABH Mfg., Inc.  
 printed in USA