

## Offset Pivot Sets

### 0117.50 Pivot Set - 3/4" Offset

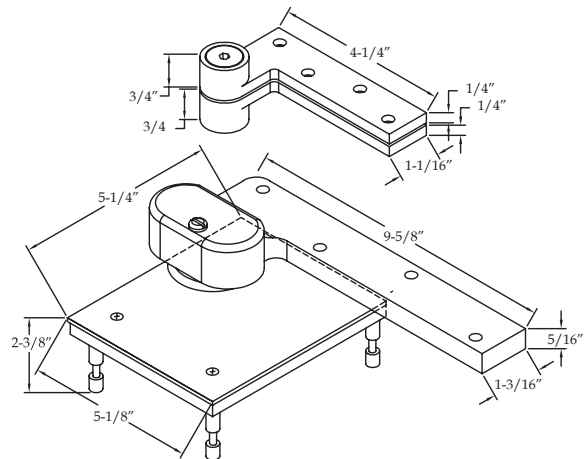
#### Standard Features

- 0180 Top Pivot
  - Frame leaf mortises into header
  - Door leaf mortises into top of door
- 0117.50 Bottom Pivot
  - Bottom leaf mortises into floor
  - Door leaf mortises into bottom of door
- Handed - Specify LH or RH
- Maximum door load - 650 pounds
- Maximum door width - 48"
- UL listed for use on 3-hour fire rated doors - **Standard**
- Heavy duty bearings
- Stainless steel base material

#### Options

- **EXTS** - Extended Spindle on bottom pivot (up to 2" longer than standard)
- **EXTP** - Extended Pin on top pivot (up to 3/4" longer than standard)
- **SEC** - Security fasteners
- **B** - Bottom pivot only (no top pivot)

Meets or exceeds  
ANSI C07121 & C07202



- 019 intermediate pivot required (order separately)
- Doors ranging from 60" to 90" tall should use one intermediate pivot. An additional intermediate pivot should be used for each additional 30" in height.

### L0117 Pivot Set - 3/4" Offset

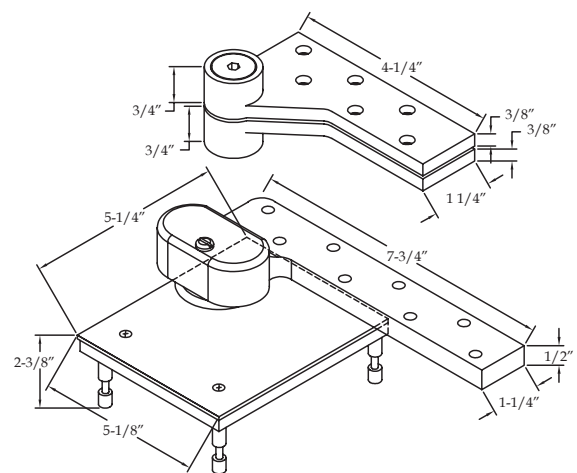
#### Standard Features

- L0180 Top Pivot
  - Frame leaf mortises into header
  - Door leaf mortises into top of door
- L0117 Bottom Pivot
  - Bottom leaf mortises into floor
  - Door leaf mortises into bottom of door
- **For use on 1-3/4" lead-lined doors**
- Handed - Specify LH or RH
- Maximum door load - 1,750 pounds
- UL listed for use on 3-hour fire rated doors - **Standard**
- Maximum door width - 48"
- Heavy duty bearings
- Stainless steel base material

#### Options

- **EXTS** - Extended Spindle on bottom pivot (up to 2" longer than standard)
- **EXTP** - Extended Pin on top pivot (up to 3/4" longer than standard)
- **SEC** - Security fasteners
- **B** - Bottom pivot only (no top pivot)

Meets or exceeds  
ANSI C07111



- L019 intermediate pivot required (order separately)
- Doors ranging from 60" to 90" tall should use one intermediate pivot. An additional intermediate pivot should be used for each additional 30" in height.

