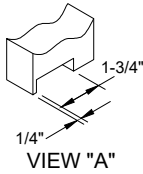
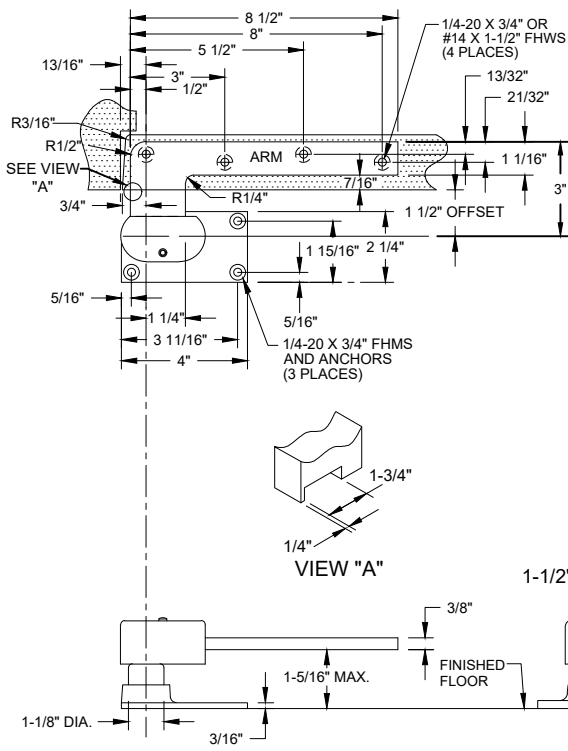


# 0147-1.5 PIVOT SET, 1-1/2" OFFSET, HANDED

- MUST BE USE WITH 019-1.5 INTERMEDIATE PIVOT(S)

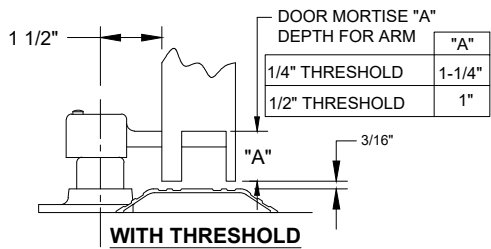
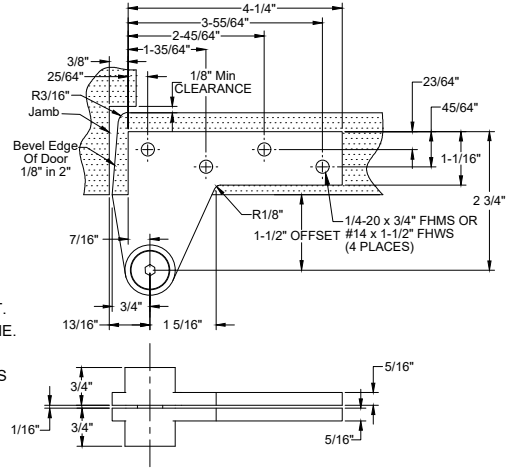
## 0147-1.5 BOTTOM PIVOT



### NOTES:

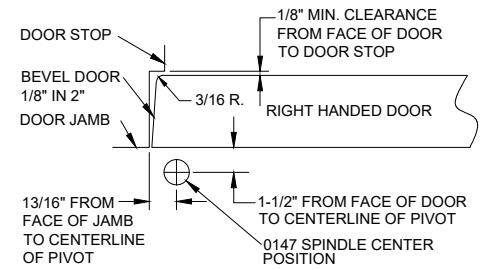
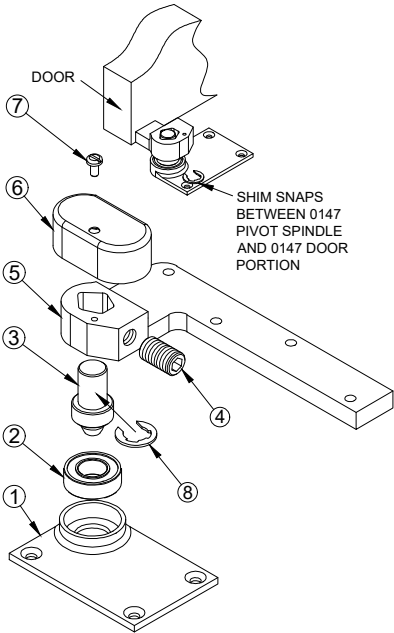
1. DO NOT SCALE DRAWING.
2. FOR DOOR UP TO 48" WIDE & WEIGHING UP TO 350 lbs.
3. RIGHT HAND SHOWN - SINGLE ACTING.
4. SUITABLE REINFORCEMENT BY OTHER.
5. MAXIMUM DEGREE OF OPENING 180°, TRIM PERMITTING.
6. ARM DRILLED TO RECEIVE 1/4-20 X 3/4" FHMS OR #14 X 2" FHWS.
7. FOR WOOD DOORS, PRE FILL ARM & TOP PIVOT HOLES TO PREVENT SPLITTING.
8. CENTERLINE OF TOP PIVOT PIN MUST BE PLUM AND STRAIGHT WITH BOTTOM PIVOT.
9. 1/8" MIN. CLEARANCE BETWEEN DOOR & FRAME.
10. BEVEL EDGE OF DOOR 1/8" IN 2"
11. IT IS THE DOOR AND FRAME MANUFACTURERS RESPONSIBILITY TO CHECK THE HARDWARE SCHEDULE & PREP THE DOORS & FRAMES.
12. ALL DIMENSIONS ARE IN INCHES, UNLESS NOTED OTHERWISE.

## 0180-1.5 TOP PIVOT

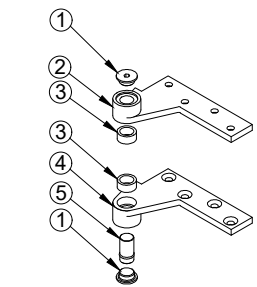
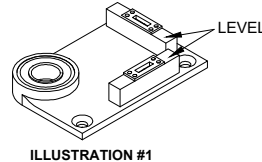
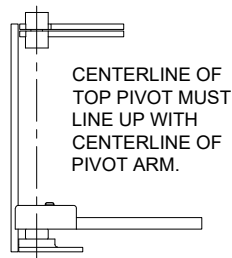


### INSTALLATION INSTRUCTIONS

1. MEASURE 13/16" OUT FROM DOOR JAMB.
2. ALLOW 1/8" MIN CLEARANCE FROM DOOR STOP TO DOOR FACE. MEASURE DOOR THICKNESS AND ADD 1-1/2".
3. WHERE THESE LINES INTERSECT DETERMINES THE CENTERLINE OF THE PIVOT POINT.
4. FLOOR PORTION MUST BE INSTALLED COMPLETELY LEVEL IN BOTH DIRECTIONS PER ILLUSTRATION #1.
5. INSTALL 0180-1.5 DOOR PORTION PER TEMPLATE.
6. INSTALL 0180-1.5 JAMB PORTION PER TEMPLATE.
7. INSTALL 0147-1.5 DOOR PORTION PER TEMPLATE.
8. IF 019-1.5 INTERMEDIATE PIVOT IS USED, SEE 019-1.5 TEMPLATE.
9. SET DOOR ON 0147-1.5 FLOOR PORTION BEARING.
10. PUSH 0180 PIVOT PIN IN PLACE AND SECURELY TIGHTEN 0180 END CAP.
11. IF DOOR DRAGS AT FLOOR (OR THRESHOLD, IF USED) LOOSEN SET SCREW AND RAISE DOOR TO DESIRED CLEARANCE AND INSERT 1/16" THICK SHIM. RE TIGHTEN SET SCREW SECURELY.
12. PUT 0147 COVER ON AND SECURE TIGHTLY WITH 0147 COVER SCREW.



ITEM NO.	QTY.	PART NO.
1	1	0147-1.5 FLOOR PORTION
2	1	0147 BEARING
3	1	0147 PIVOT SPINDLE
4	1	0147 SET SCREW
5	1	0147-1.5 DOOR PORTION
6	1	0147 COVER
7	1	0147 COVER SCREW
8	1	1/16" SHIM (IF REQUIRED)



ITEM NO.	QTY.	PART NO.
1	2	0180 END CAP
2	1	0180-1.5 JAMB PORTION
3	2	0180 NEEDLE BEARING
4	1	0180-1.5 DOOR PORTION
5	1	0180 PIVOT PIN

**Disclaimer:** This template is to be used for installation, as shown, of said product and is not suitable for every application method. Custom applications, where door sizes, weights and conflicting hardware are a factor, need to be addressed with ABH and proper instructions provided. ABH is not liable for failure or performance of the product due to improper installation methods and/or use. Improper use and/or installation of this product will void the standard warranty.