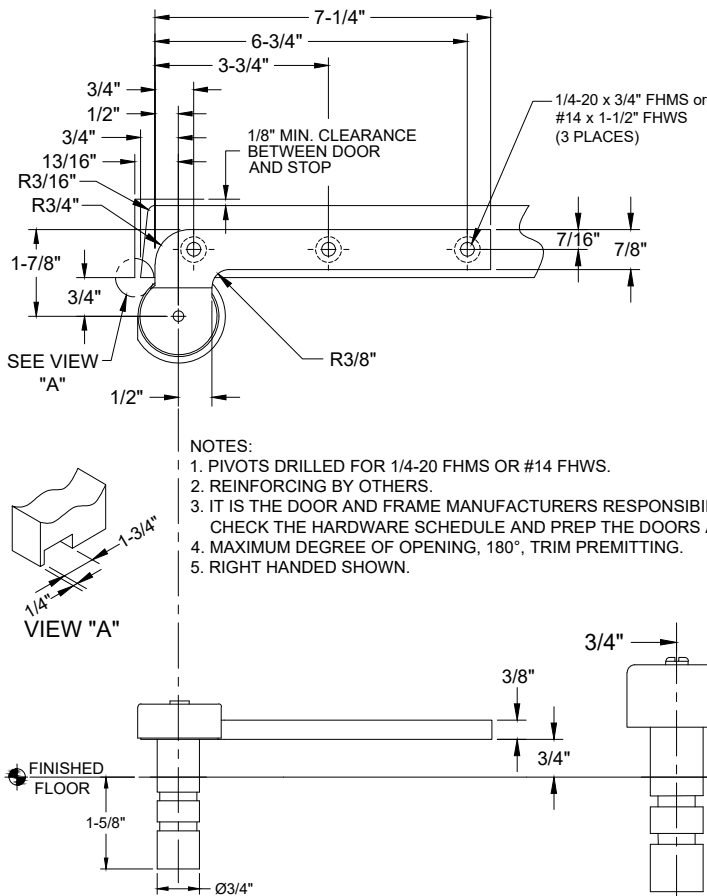
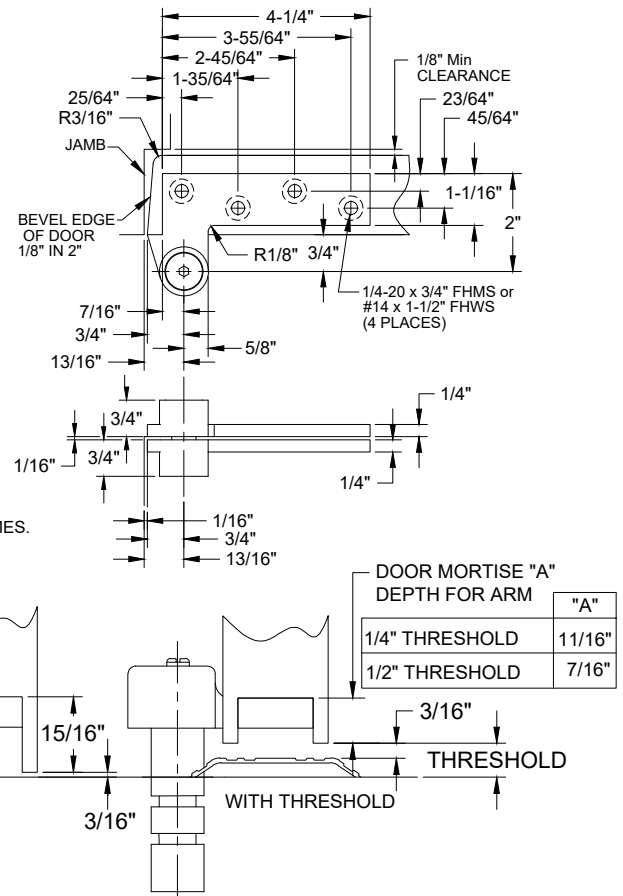


# 0173 PIVOT SET, 3/4" OFFSET, HANDED

**0173 BOTTOM PIVOT**

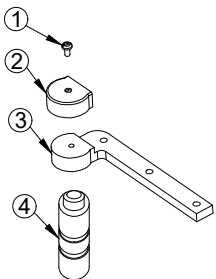
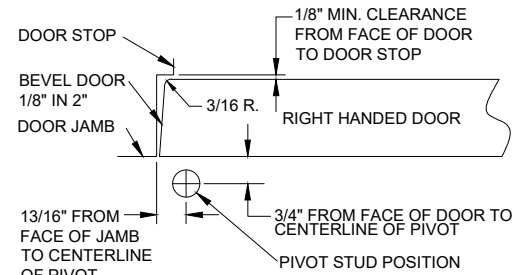


**0180 TOP PIVOT**

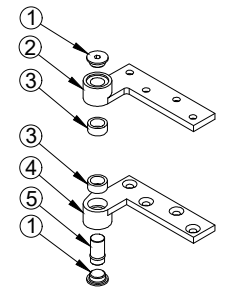
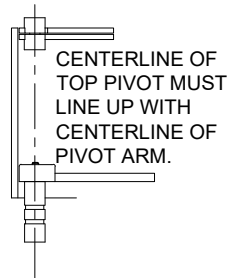


## INSTALLATION INSTRUCTIONS

1. MEASURE 13/16" OUT FROM DOOR JAMB.
2. ALLOW 1/8" MIN CLEARANCE FROM DOOR STOP TO DOOR FACE. MEASURE DOOR THICKNESS AND ADD 3/4".
3. WHERE THESE LINES INTERSECT DETERMINES THE CENTERLINE OF THE PIVOT POINT.
4. DRILL HOLE IN FLOOR LINE. INSERT PIVOT STUD SO THAT IT IS POSITIONED PER DRAWING BELOW.
5. INSTALL 0180 DOOR PORTION PER TEMPLATE.
6. INSTALL 0180 JAMB PORTION PER TEMPLATE.
7. INSTALL 0173 DOOR PORTION PER TEMPLATE.
8. IF 019 INTERMEDIATE PIVOT IS USED, SEE SEPARATE TEMPLATE.
9. SET DOOR ON 0173 FLOOR STUD.
10. PUSH 0180 PIVOT PIN IN PLACE AND SECURELY TIGHTEN 0180 END CAP.
11. PUT 0173 ARM COVER ON AND SECURE TIGHTLY WITH 0173 COVER SCREW.



| ITEM NO. | QTY. | PART NO.          |
|----------|------|-------------------|
| 1        | 1    | 0173 COVER SCREW  |
| 2        | 1    | 0173 ARM COVER    |
| 3        | 1    | 0173 DOOR PORTION |
| 4        | 1    | 0173 FLOOR STUD   |



| ITEM NO. | QTY. | PART NO.            |
|----------|------|---------------------|
| 1        | 2    | 0180 END CAP        |
| 2        | 1    | 0180 JAMB PORTION   |
| 3        | 2    | 0180 NEEDLE BEARING |
| 4        | 1    | 0180 DOOR PORTION   |
| 5        | 1    | 0180 PIVOT PIN      |

**Disclaimer:** This template is to be used for installation, as shown, of said product and is not suitable for every application method. Custom applications, where door sizes, weights and conflicting hardware are a factor, need to be addressed with ABH and proper instructions provided. ABH is not liable for failure or performance of the product due to improper installation methods and/or use. Improper use and/or installation of this product will void the standard warranty.