

## Center Hung Pivots Sets

### 0327 Pivot Set - Center Hung

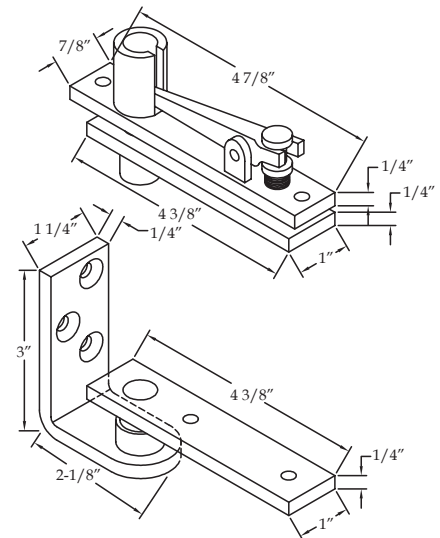
#### Standard Features

- 0321 Top Pivot
  - Frame leaf mortises into header
  - Door leaf mortises into top of door
- 0327 Bottom Pivot
  - Bottom leaf mortises into side jamb and rests on floor
  - Door leaf mortises into bottom of door
- Non-handed
- Pivot set is centered into the door thickness
- Maximum door load - 135 pounds
- Maximum door size - 42" x 96"

#### Options

- Can be used with ABH® Rescue Hardware - see Section "J"
- EXTS - Extended Spindle on bottom pivot (up to 2" longer than standard)
- EXTP - Extended Pin on top pivot (up to 3/4" longer than standard)
- SEC - Security fasteners
- B - Bottom pivot only (no top pivot)

Meets or exceeds  
ANSI C07042



### 0370 Pivot Set - Center Hung

#### Standard Features

- 0340 Top Pivot
  - Frame leaf mortises into header
  - Door leaf mortises into top of door
- 0370 Bottom Pivot
  - Bottom leaf mounts on top of finished floor
  - Door leaf mortises into bottom of door
- Non-handed
- Pivot set is centered into the door thickness
- Maximum door load - 500 pounds
- Maximum door size - 44" x 102"

#### Options

- Can be used with ABH® Rescue Hardware - see Section "J"
- EXTS - Extended Spindle on bottom pivot (up to 2" longer than standard)
- EXTP - Extended Pin on top pivot (up to 3/4" longer than standard)
- SEC - Security fasteners
- B - Bottom pivot only (no top pivot)

Meets or exceeds  
ANSI C07032

