

Offset Pivot Set & Reinforcing Pivot

0547 Pivot Set - 3/4" Offset

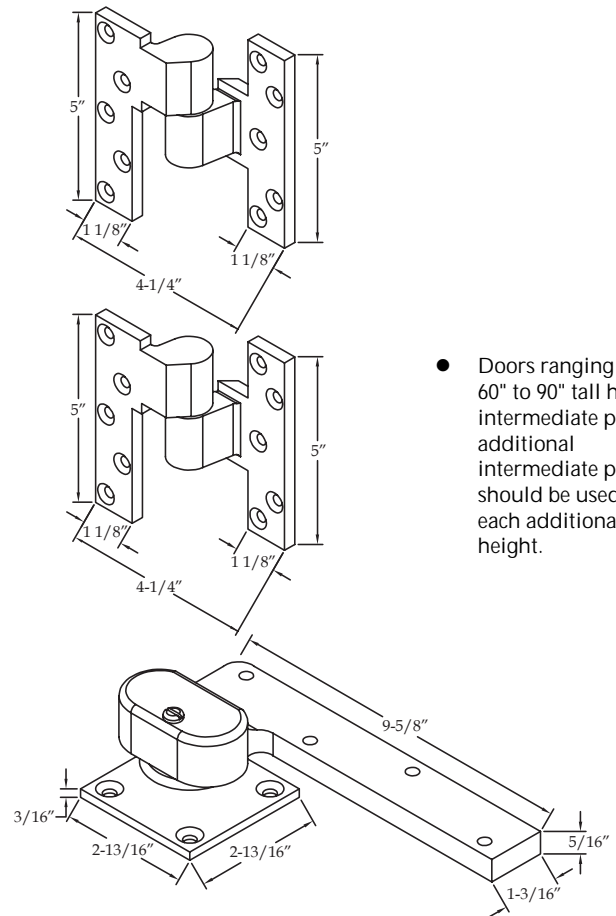
Standard Features

- (2) 019 Intermediate Pivots
 - Frame leaves mortise into side jamb
 - Door leaves mortise into hinge edge of door
- 0147 Bottom Pivot
 - Bottom leaf mounts on top of finished floor
 - Door leaf mortises into bottom of door
- Handed - Specify LH or RH
- For doors using Overhead Concealed Closers
- Maximum door load - 500 pounds
- Maximum door width - 42"
- Heavy duty bearings
- Stainless steel base material

Options

- EXTS - Extended Spindle on bottom pivot (up to 2" longer than standard)
- SEC - Security fasteners

Meets or exceeds
ANSI C07162 (modified)



- Doors ranging from 60" to 90" tall have two intermediate pivot. An additional intermediate pivot should be used for each additional 30" in height.

0923 Reinforcing Pivot

Standard Features

- Helps take load off failing top hinge and eliminate door sag
- Surface mounts to the face of the frame header and face of the door
- Matches pivot point of a standard 4-1/2" butt hinge
- Non-handed
- Maximum door load - 300 pounds
- Cold-rolled steel, zinc plated - US2G finish
- For 1/8" inset door with 3/4" offset

Options

- SEC - Security fasteners

