

101-DE Exit Check®

Delayed Egress Controller

VERBAL EXIT INSTRUCTIONS OR ALARM TONE ONLY
& DIGITAL COUNTDOWN DISPLAY

- STOP EMPLOYEE THEFT
- STOP RETAIL SHOPLIFTING
- RESTRICT AIRPORT PATRONS
- RESTRICT WANDERING PATIENTS

The integral verbal message, digital countdown display and sign provide comprehensive and clear instructions of the door operation for persons without prior knowledge of the exit delay, including the sight and hearing impaired. The digital keypad eliminates the need to carry and locate keys for reset and bypass functions.



FEATURES

EGRESS DELAY

- 15 or 30 second exit delay
- 1 or 2 second nuisance delay

BUILT-IN 3 FUNCTION KEYPAD

- Alarm and lock reset
- 1 to 30 second bypass
- Sustained bypass
- Additional keyswitch optional

CONTROL INPUTS

- 1 to 30 second request-to-exit and access bypass with anti-tail-gate
- Alarm reset
- Infant and wandering patient protection system compatibility
- External DPS input for anti-tail-gate and door prop operation

BUILT-IN ANNUNCIATION

- Armed mode
- Nuisance mode
- Irreversible egress mode
- Release mode
- Digital countdown display
- Field selectable voice notification or tone
- Field selectable male voice with security message or female voice with safety message

MONITORING OUTPUTS

- Armed status
- Egress initiation status
- Released status

OPTIONAL EMLOCK OUTPUTS

- Door position sensor - indicates door open and door closed, commonly used to verify egress after release
- Magnetic bond sensor - indicates locked with full holding force, low holding force, unlocked and tampering

CHOICE OF MOUNTING

- Recessed mounted (3 gang plaster ring included)
- Surface mounted with optional 3 gang box (DEC-J)

TRIGGER MODES

- Egress alarm triggered by door movement when used with SDC 1500DE series EmLocks.
- Trigger input from external device field selectable (n/o or n/c)

POWER-UP MODES

- Field selectable automatic or manual power up after emergency release or power loss. Use of manual power up complies with California Building Code (OSHPD) requirements

MODELS

DELAYED EGRESS CONTROLLER

101-DE Wall mount controller with keypad control and reset, 180 mA @ 12/24 VDC

101-KDE Wall mount controller with both keypad and keyswitch control and reset (less cylinder)

Magnetic Lock with Activation Sensor Specify 2 for pair of doors

INDOOR LOCKS

1511DEV Single, 1650 lbs holding force, 670/350 mA @12/24 VDC, 628 finish standard

1571DEV Single, 1200 lbs holding force Energy Saver, 250/125 mA @12/24 VDC, 628 std

1581DEV Single, 650 lbs holding force, 440/220 mA @12/24 VDC, 628 finish standard

INDOOR/OUTDOOR LOCKS WITH ACTIVATION SENSOR AND CONDUIT FITTING

1575DEU Single magnetic lock with magnetic bond sensor, 630 finish standard

1576DEU Single face drilled magnetic lock with magnetic bond sensor, 630 std



Meets NFPA 80 & 101 for Life Safety

CFSM

3774-0324:103 California State Fire Marshall Listed



SPECIFICATIONS

Electrical Specifications

Inputs

Voltage Input Auto sensing 12/24VDC +/-10%

Reset Input N.O., Dry

REX Input N.O., Dry

Trigger N.C. or N.O., Dry

IBO/DPS IBO: N.O., Dry
DPS: N.C.

Monitoring Outputs

Alarm Output 1 Amp @ 30VDC SPDT Dry

Lock Secure Output 1 Amp @ 30VDC SPDT Dry

Mechanical Specifications

Controller 6-1/2" x 4-1/2" x 1-1/2"

1581DE 8-3/4" x 2-1/8" x 1-1/4"

1571DE / 1511DE 11" x 2-3/4" x 1-9/16"

1575DE / 1576DE 8-45/64" x 2-1/2" x 1-39/64"

CODE COMPLIANCE

- IFC International Fire Code
- IBC International Building Code
- NFPA 101 Life Safety Code
- NFPA 1 Uniform Fire Code
- California Building Code

DISPLAY MODES

15 Door armed and locked.

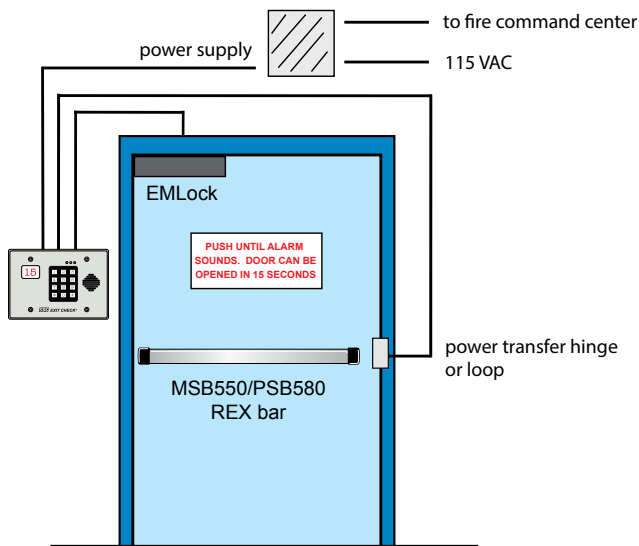
00 Alarm countdown period has ended, door is unlocked and alarm sounding until reset.

-- -- Door has been opened after REX, Bypass or Alarm.

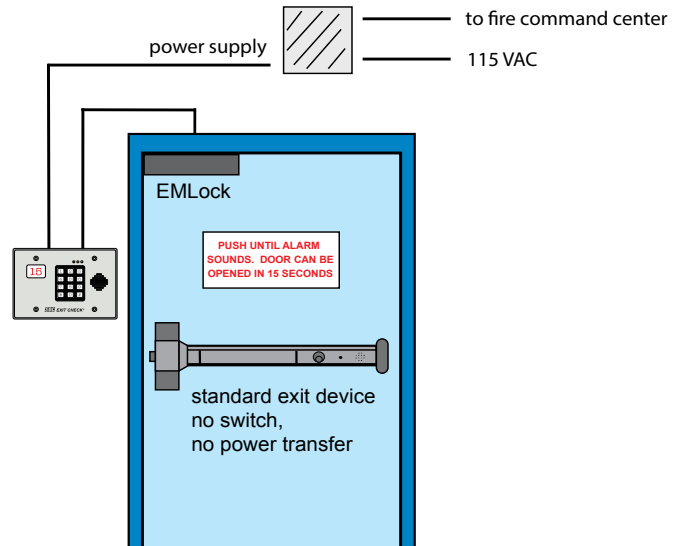
- - Door unlocked and alarm is shunted (REX or Bypass)

APPLICATION

DOOR WITHOUT LATCH ASSEMBLY ACTIVATION BY SURE EXIT® PUSH BAR



DOOR WITH LATCH ASSEMBLY ACTIVATION BY DOOR MOVEMENT





PRODUCT SKU SAMPLE: 101-DE NC 1571DEV V D

HOW TO ORDER

1 | SPECIFY MODEL (ONE PER OPENING)

101-DE Wall mount controller with keypad control and reset

101-KDE Wall mount controller with both key switch and keypad control and reset

order with optional Mortise Cylinder

CYL-6KDKQ 6 pin, 1.125" Mortise Cylinder, Keyed Different

CYL-6KAQ 6 pin, 1.125" Mortise Cylinder, Keyed Alike



2 | SPECIFY OPERATION MODE

NA NFPA 101, IBC and IFC Compliant
Field selectable:
15 or 30 second exit delay, 0 to 1 second nuisance delay
Field selectable automatic or manual power-up after emergency release

ND UBC, NFPA 101, IBC & IFC Compliant
15 second fixed exit delay, 0 to 1 second nuisance delay.
Field selectable manual power up after emergency release for California

NH IBC, IFC, NFPA 101 Compliant
30 second fixed exit delay, 0 to 1 second nuisance delay

NC CBC Compliant
15 second fixed exit delay, 0 to 1 second nuisance delay,
power up unlocked fixed, OSHPD compliance

BD BOCA National Building Code Compliant
15 second fixed exit delay, 0 to 1 second nuisance delay,
auto reset 30 seconds after door closure

BH BOCA National Building Code Compliant
30 second fixed exit delay, 0 to 1 second nuisance delay,
auto reset 30 second after door closure

2A | SPECIFY REX (OPTIONAL)

RRX Reset on REX - No Charge when ordered WITH a Delayed Egress 101-DE/KDE. Allows the REX input to reset after an unauthorized egress alarm. Not available for NC operation.

3 | SPECIFY MAGNETIC LOCK WITH INTEGRATED ACTIVATION SENSOR (SPECIFY TWO FOR PAIR OF DOORS)

1511DEV Single, 1650 lbs holding force,
670/350 mA @12/24VDC

1571DEV Single, 1200 lbs holding force, Energy Saver,
250/125 mA @12/24VDC

1581DEV Single, 650 lbs holding force,
440/220 mA @12/24VDC

Outdoor Locks

1575DEU Single outdoor magnetic lock with
magnetic bond sensor

1576DEU Single face drilled outdoor magnetic lock
with magnetic bond sensor

4 | SPECIFY MAGNETIC LOCK FINISH

Anodized Finishes

V Aluminum (standard)

Y Black anodized

Painted Finishes

X Dark bronze powder coat

5 | SPECIFY MONITORING (OPTIONAL)

D **Door Position Sensor:** Indicates door open and door closed. Specify two for double doors (not available with 1581, 1575 and 1576) SPDT Dry, 250 mA @ 30VDC.

B **Magnetic Bond Sensor:** Indicates locked and unlocked, low holding power, tampering and obstruction between armature and magnetic core. Specify (2) for double doors (1581DE SPST only)

ACCESSORIES

1576DE-ZB Inswing mounting bracket for 1576DEU

101-1AK Outdoor reset with LED and audible annunciator, 2-gang outdoor box required

101-SPSN Remote Single Gang Annunciator with speaker and 80db tone. Duplicates ExitCheck alternating voice message and tone.

DEC-J 3-gang interior surface mount box for 101-DE

SHD-J Shroud for surface mount box DEC-J outdoor use



101-1AK



101-SPSN



101-DE, DEC-J, SHD-J



DEC-J

ACCESSORIES

MECHANICAL REX EXIT BAR

PUSH TO EXIT Field Applied Sign with Green Letters



MSB550V Mechanical REX Exit bar for activation of locks on doors without latch assemblies

SPECIFICATIONS

Actuation	1/8" total bar movement for mechanical switch actuation
Contact	SPDT, 5 Amp @ 30VDC (2nd Switch Optional)
Accessories Included	PT-2U Armored Power Transfer Loop

HOW TO ORDER

1| SPECIFY MODEL

MSB550V Mechanical REX Bar

2| FINISH

628 Aluminum Anodized (Standard)

3| SPECIFY OPTIONS

2 SPDT Contacts

Add "2" for 2nd mechanical switch for dual-fail-safe redundant operation, alarm shunt, or monitoring output. Ex: MSB550-2V

4| SPECIFY LENGTH

- 36** Standard Bar Length is 36"
 - 42** Bar for 42" Door. May be field cut.
 - 48** Bar for 48" Door. May be field cut
- Ex: MSB550V-42

REMOTE FOUR DOOR ANNUNCIATOR



101-4AM Remote four door annunciator with audible alarm mute button. Four tricolor LED's, 2-Gang

Green-Secure **Amber-Egress Initiated** **Red-Door Unlocked**

SURE EXIT® SENSE BAR

PUSH TO EXIT Field Applied Sign with Green Letters



PSB560V Sure Exit® REX sensor bar for activation of locks on doors without latch assemblies

SPECIFICATIONS

Actuation	Pressure Sensing Technology, Tri-Failsafe
Voltage	12/24VDC Voltage Sense Input
Current	20 mA at Rest, 115 mA Active
Lock Output	SPDT, 3 Amp @ 30VDC
Alarm Shunt/Status Output	SPDT, 3 Amp @ 30VDC
Accessories Include	10 ft. cable and connector. PT-2U Armored Power Transfer Loop

HOW TO ORDER

1| SPECIFY MODEL

PSB550V Sure Exit® Sense Bar

2| FINISH

628 Aluminum Anodized (Standard)

3| SPECIFY LENGTH

- 36** Standard Bar Length is 36"
 - 42** Bar for 42" Door. May be field cut.
 - 48** Bar for 48" Door. May be field cut
- Ex: PSB550V-42

MODULAR CONTROL CONSOLE



TCC Desk top console for remote control and annunciation of 4 - 12 doors

- 12 Stations maximum when using 2 control panels
- Base unit, less panel
- Color: Black sides and beige top

Dimensions: 10-1/4" W x 4-3/4" H x 9-5/8" D

