

1090ADMR / 1290ADMR Series

Concealed Mortise Bolt Locks with Mechanical Release

The **Spacesaver®**, first designed and patented by SDC, is a fundamental innovation in electric locking technology for access control applications.

FEATURES

STAINLESS STEEL BOLT

Greater security is provided by the 5/8" diameter stainless steel bolt. The bolt rotates freely, making attempts to tamper or cut extremely difficult.

SPECIFICATION GRADE SOLENOID

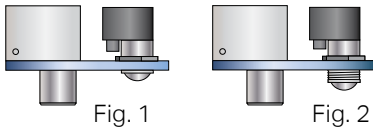
All Spacesaver® lock solenoids are manufactured by SDC to precision specifications. SDC solenoids are capable of superior overall performance in both force and longevity, providing years of service compared to commercial grade solenoids.

MECHANICAL RELEASE FUNCTION

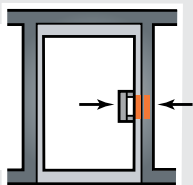
When used with a mortise key cylinder (not included), the key cylinder is used to manually override the solenoid.

FIELD ADJUSTABLE AUTO-RELOCK SWITCH

The automatic relock switch keeps the bolt retracted while the door is open. The door depresses the ball switch assembly on closure, causing the bolt to project automatically, locking the door. In addition, the ball switch assembly is bidirectional, permitting the locks to be used on swinging and sliding doors.



The auto relock assembly is field adjustable to compensate for wide door gap. (See Figure 1 & 2 above)



SDC Spacesaver® ADMR locks may be mounted in the side jamb or door lock stile.

The stainless steel bolt projects at right angles to the lock mechanism, allowing installation of Spacesaver® locks, by means of a simple cutout, in virtually any standard 1 3/4" frame, or in most door lock stiles. With the entire lock concealed, aesthetic acceptability is complete, security is greater and installation in old or new construction is fast, easy and economical.



* shown with Mortise Cylinders - not included



APPLICATIONS

- Retail Aluminum Glass Entrance Doors
- Server Rooms
- Safe Rooms
- Storage Closets

1091ADMR/ 1091ADMR1 /1091ADDMR1 FAILSAFE

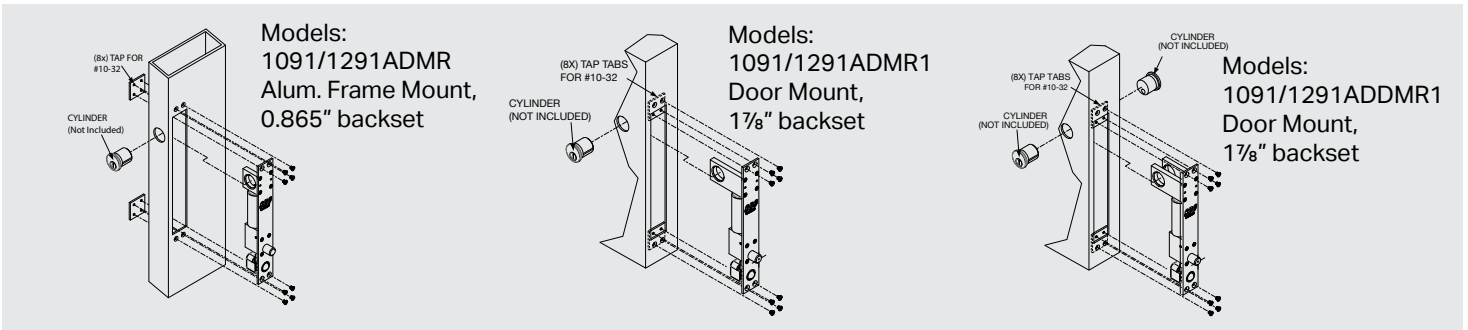
The **1091ADMR/1091ADMR1/1091ADDMR1** is locked when energized. Recommended for safety applications, it is intended that the door unlock automatically when power is interrupted by the access control, power failure or signal from a fire life safety system.

1291ADMR/ 1291ADMR 1/1291ADDMR1 FAILSECURE

The **1291ADMR/1291ADMR1/1291ADDMR1** is locked when de-energized and unlocked when energized. Recommended for security applications only, it is intended that the door lock when power is interrupted by a power failure.

SPECIFICATIONS

Face Plate	10½"L x 1½"W x ⅛"D (unless noted differently)
Strike	4"L x 1½"W x ⅛"D
Frame Inner Dimension Requirements	Model dependent. Refer to specific template.
Bolt Material	Stainless Steel
Bolt Diameter	⅝"
Bolt Throw	1091ADMR/1091ADDMR: ¾" 1291ADMR/1291ADDMR: ¾"
Mounting Tabs	Two aluminum mounting tabs are provided for easy lock installation.
Dual Voltage Coil	450 mA @ 24VDC Continuous Duty 900 mA @ 12VDC Continuous Duty



HOW TO ORDER

FOLLOW STEPS 1-4 FOR ORDERING

1| SPECIFY MODEL

- 1091A** Standard, Failsafe
- 1291A** Standard, Failsecure

2| SPECIFY FUNCTION

FOR 1091A ONLY

- IDMR** Failsafe, Single Mechanical Release for Jamb Mount
- IDMR1** Failsafe, Single Mechanical Release for Door Mount
- IDDMR1** Failsafe, Double Mechanical Release for Door Mount

FOR 1291A ONLY

- HDMR** Failsecure, Single Mechanical Release for Jamb Mount
- HDMR1** Failsecure, Single Mechanical Release for Door Mount
- HDDMR1** Failsecure, Double Mechanical Release for Door Mount

3| SPECIFY FINISH

- V** 628 Dull Aluminum
- C** 605 Bright Brass
- D** 606 Dull Brass
- F** 611 Bright Bronze

G 612 Dull Bronze

- H** 613 Dark Oil Rubbed Bronze
- S** 629 Bright Stainless
- Q** 626 Dull Chrome
- U** 630 Dull Stainless
- Y** 335 Dull Black

4| SPECIFY OPTIONS

- B** Bolt Position Status (BPS)
- D** Door Position Status (DPS)

 Designates optional steps

STEP NUMBER: 1 2 3 4

ORDERING EXAMPLE: **1091A** | **IDMR** | **V** | **D**

COMPATIBLE KEY CYLINDERS

CYL-6KDQ Mortise Cylinder, 6-Pin, 1⅝" Length, Keyed Different, Dull Chrome

CYL-6KAQ Mortise Cylinder 6-Pin, 1⅝" Length, Keyed Alike, Dull Chrome