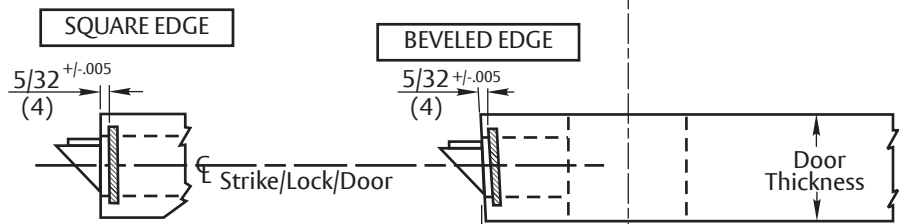
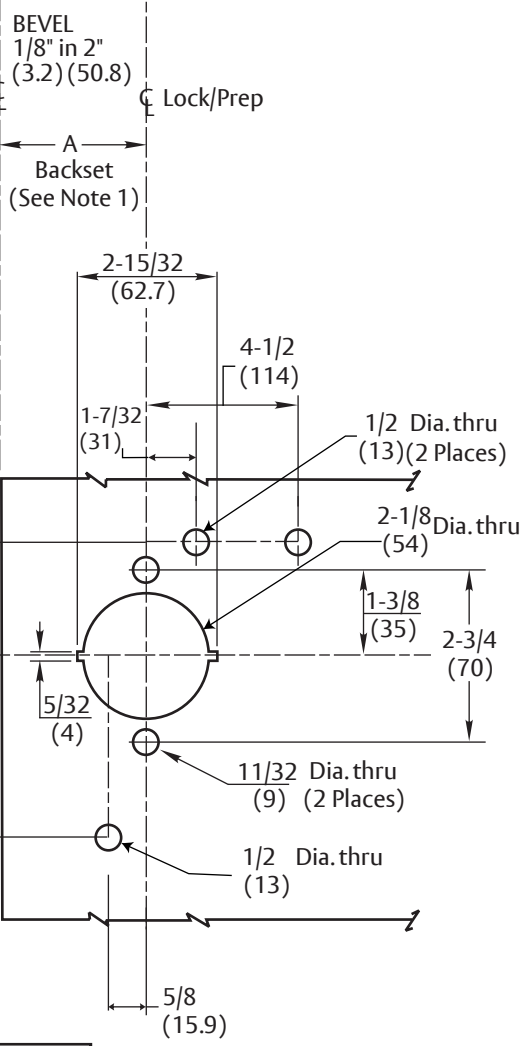
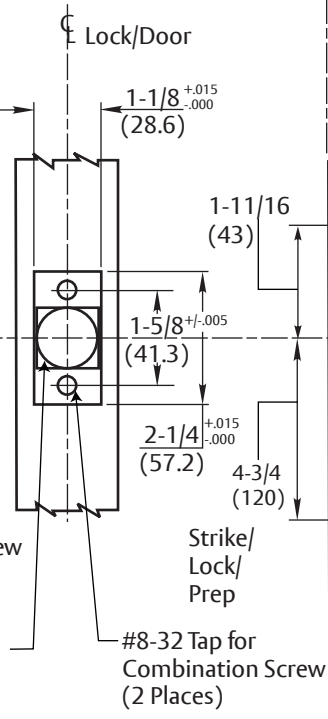
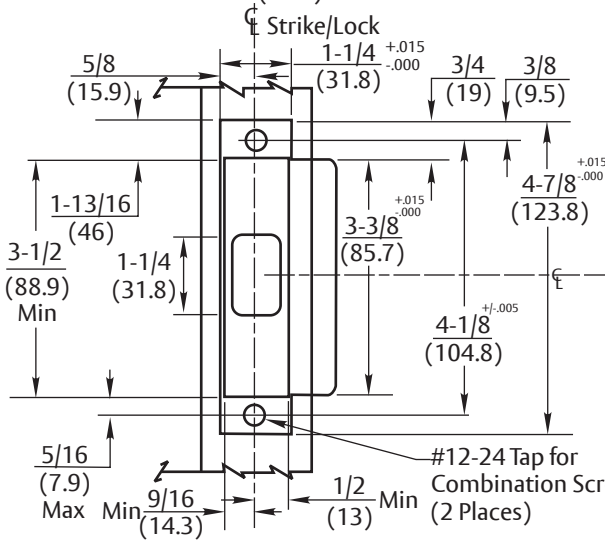
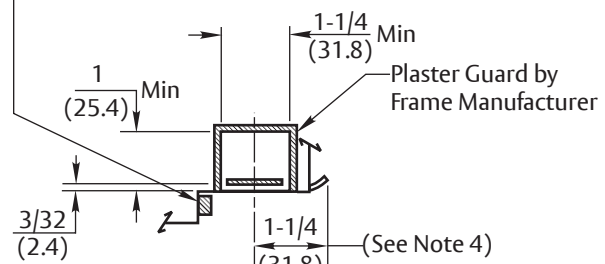


Notes:

1. Backset is measured from centerline of bevel which is centerpoint of door thickness.
2. Door prep with 2-3/4" (70) backset meets ANSI/BHMA A156.115 for steel doors and A156.115W for wood doors plus through bolt holes shown.
3. Dimensions given in inches and (mm).
4. 1-1/4" strike lip suits frame for 1-3/4" thick door.



CAUTION: DOOR AND FRAME MANUFACTURERS
 When door gasketing or silencers are used, proper allowances must be made for strike location to maintain a common centerline with lock and door as shown so that bolt will freely enter strike.



FRAME DETAIL	TOLERANCES	
	INCHES	(mm)
ANSI Strike (Regularly Furnished)	.005	(.127)
	.015	(.381)

RESPONSIBILITY
 DOOR AND FRAME MANUFACTURERS ARE RESPONSIBLE FOR PROVIDING ADEQUATE CONSTRUCTION OR REINFORCEMENTS FOR PROPER INSTALLATION OF HARDWARE SHOWN. ALL ARCHITECTURAL BUILDERS HARDWARE MUST BE INSTALLED ON PROPERLY REINFORCED DOORS AND FRAMES, REGARDLESS OF TYPE, MATERIAL, OR METHOD OF CONSTRUCTION.

**10X Line
 Cylindrical Lock with BHW Trim
 All Functions**

SARGENT
ASSA ABLOY

SUPERSEDES	DO NOT SCALE DRAWING		
TEMPLATE NUMBER	4753	SHEET	1 of 1
		DATE	03/23