

1130-HU Series Non-Handed Door Closer

Arm Model 1131-HU

Installation Instructions

Hold Open arm model, adjustable size 1-6 (♿)

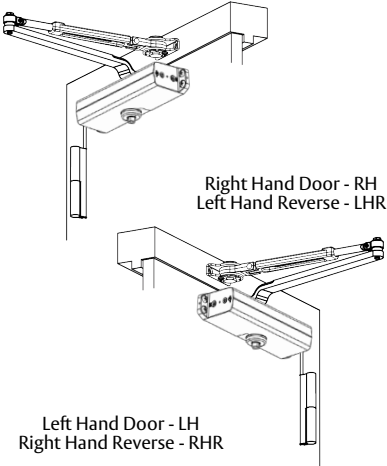
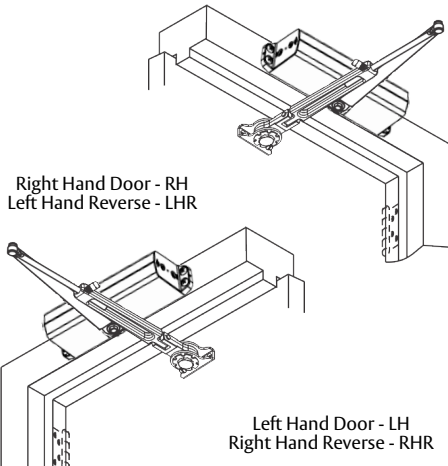
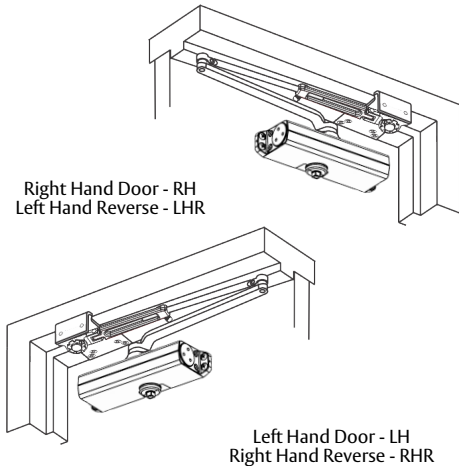
SARGENT®

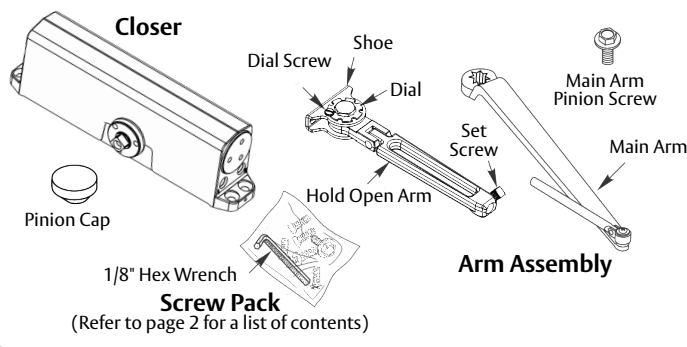
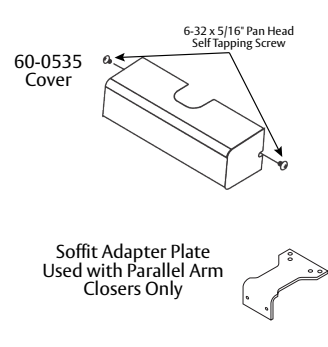
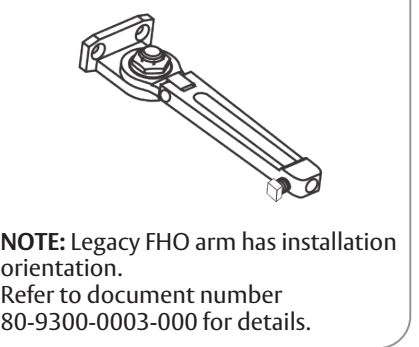
ASSA ABLOY

⚠ WARNING

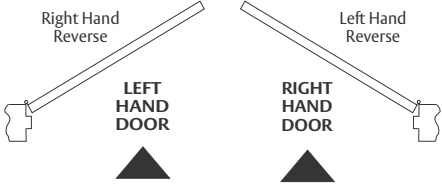
This product can expose you to lead which is known to the state of California to cause cancer and birth defects or other reproductive harm. For more information go to: www.P65warnings.ca.gov.

READ AND FOLLOW ALL INSTRUCTIONS.
SAVE THESE INSTRUCTIONS.

Regular Arm	Top Jamb Mount	Parallel Arm
 <p>Right Hand Door - RH Left Hand Reverse - LHR</p> <p>Left Hand Door - LH Right Hand Reverse - RHR</p>	 <p>Right Hand Door - RH Left Hand Reverse - LHR</p> <p>Left Hand Door - LH Right Hand Reverse - RHR</p>	 <p>Right Hand Door - RH Left Hand Reverse - LHR</p> <p>Left Hand Door - LH Right Hand Reverse - RHR</p>

Included Components	Optional Components	Legacy Friction Hold Open Arm
 <p>Closer</p> <p>Pinion Cap</p> <p>1/8" Hex Wrench</p> <p>Screw Pack (Refer to page 2 for a list of contents)</p> <p>Dial Screw, Shoe, Dial, Hold Open Arm, Set Screw, Main Arm, Main Arm Pinion Screw, Arm Assembly</p>	 <p>60-0535 Cover</p> <p>6-32 x 5/16" Pan Head Self Tapping Screw</p> <p>Soffit Adapter Plate Used with Parallel Arm Closers Only</p>	 <p>NOTE: Legacy FHO arm has installation orientation. Refer to document number 80-9300-0003-000 for details.</p>

To Determine Your Hand of Door:



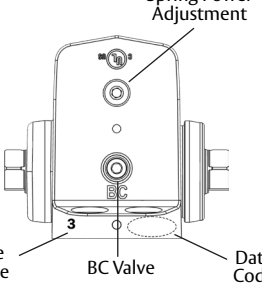
Right Hand Reverse

Left Hand Reverse

LEFT HAND DOOR

RIGHT HAND DOOR

To Identify Your Model:



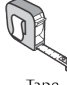





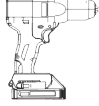
Spring Power Adjustment

Size Code

BC Valve

Date Code

Tools Needed:

 Tape Measure	 Punch	 Pencil	 Phillips Screwdriver	 Adjustable Wrench
 Safety Glasses	 Drill	#7 1/4-20 for Metal	3/16" for Wood	9/32" 3/8" for Either Nut & Bolt Option


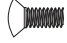



ATTENTION:

An incorrectly installed or improperly adjusted door closer can cause property damage or personal injury. These installation instructions should be followed to avoid the possibility of misapplication or misadjustment.


- For special applications, a separate door and frame preparation template is packed with these instructions. Use this instruction sheet for installation sequence and closer adjustments only.
- Doors should be hung on ball bearing or anti-friction hinges.
- A separate door stop is recommended.

- Always consult door/frame manufacturer for fastener compatibility.
- Door and frame must be properly reinforced.
- Adjust closing time speed between 3 and 7 seconds from 90° to 0°.
- These door closers should NOT be installed on exposed side (weather side) of exterior doors.
- Dimensions are given in inches (millimeters).

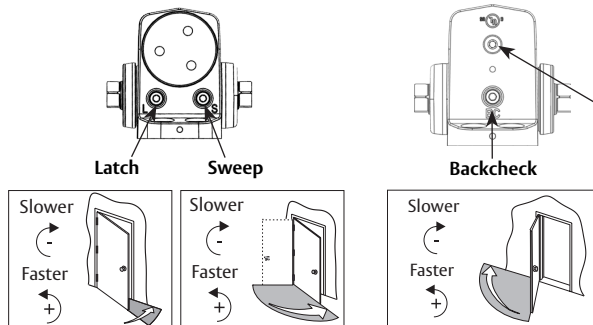
Supplied Hardware

Mounting Hardware		Door or Frame	Drill
	Closer, Holder Shoe, Holder, PA Bracket: 1/4-14 x 1-1/2 Oval Flat Head Self Drilling. Screw	Wood/Metal	3/16" (4.8mm) for wood
	Closer, Holder Shoe, Holder, PA Bracket: 1/4-20 x 3/4 Oval Flat Head Mach. Screw	Metal	Drill #7 (.201 dia. or 5.1mm) Tap 1/4-20
	H/O Shoe to Holder, PA Bracket: 1/4-20 x 1/2 Oval Flat Head Mach. Screw	All	N/A
	Closer: Sleeve Nut and Bolt (SNB) (optional) with 1/4-20 x 3/4 Oval Flat Head Mach. Screw (recommended)	Hollow Metal	9/32" (7.0mm) thru 3/8" (9.5mm) door face opposite to closer
		Aluminum or Wood	3/8" (9.5mm) thru
	Closer: Thru Bolt and Grommet Nut (TBGN) (optional)	All	9/32" (7.0mm) thru 3/8" (9.5mm) dia. x 3/8" (9.5mm) deep, door face opposite to closer


Closer Adjustments

 Use provided hex wrench to turn valves. NEVER force valves out of closer. NEVER completely close backcheck valve. Door must be open to adjust spring closing power. Refer to the chart.

Use of a power drill will void the Warranty.

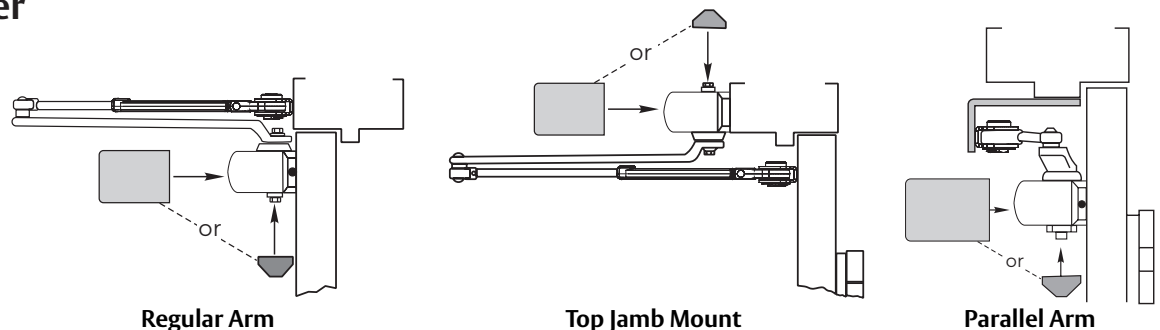


Spring Closing Power			Number of Turns Required				
Door	Type of Installation	*	Maximum Door Size				
			34" (0.85M)	36" (0.90M)	40" (1.00M)	44" (1.10M)	48" (1.20M)
1131	Interior	Regular Arm Top Jamb	2	4	6	10	12
			3	5	8	11	14
	Exterior	Regular Arm Top Jamb	3	5	8	11	14
			5	8	11	16	19

*30 Full (360°) turns maximum available  = turns as shipped

Pinion Cap or Cover

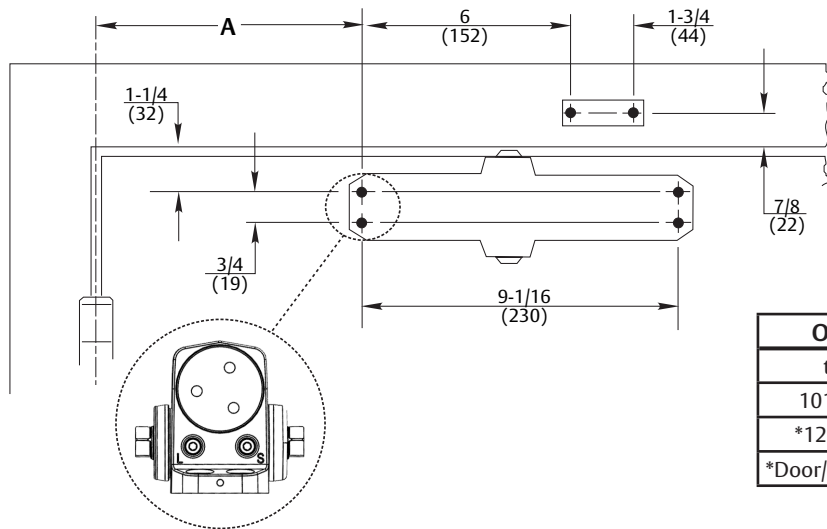
 Do not over tighten cap or cover screws.



1130-HU Series Hold Open Closer

1130-HU Regular Arm Installation (Right Hand Shown)

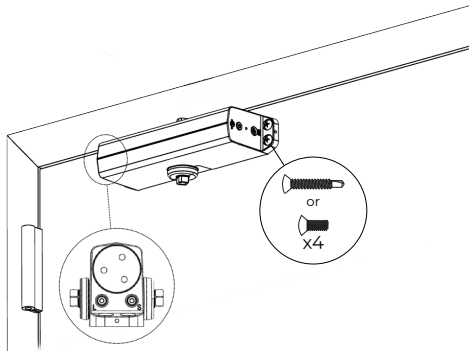
1. Prepare door and frame.



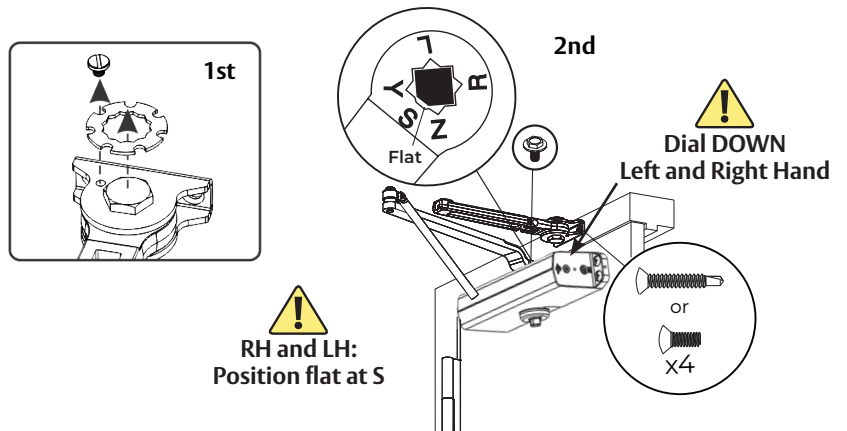
Opening	Dimension "A"
to 100°	7 (178)
101° to 120°	6 (152)
*121° to 180°	3-1/2 (89)

*Door/Wall/Hardware/Jamb conditions permitting

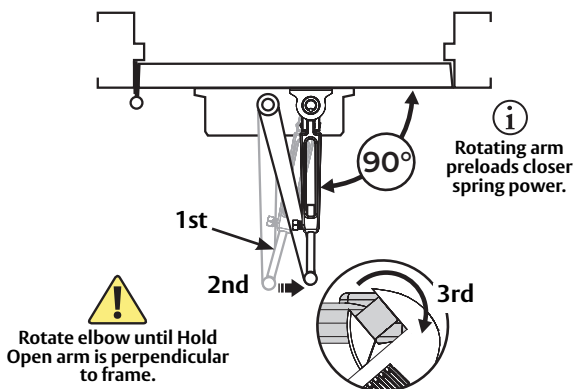
2. Mount closer to door.



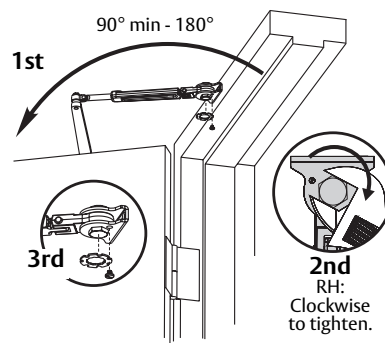
3. Remove dial from Hold Open arm and install separate arms.



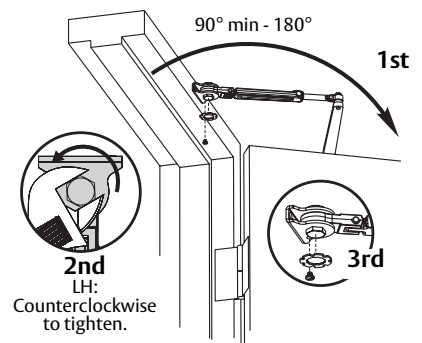
4. Connect arms, preload spring, and tighten set screw.



5. Set Hold Open.



Keep door open in position until dial screw secures dial.

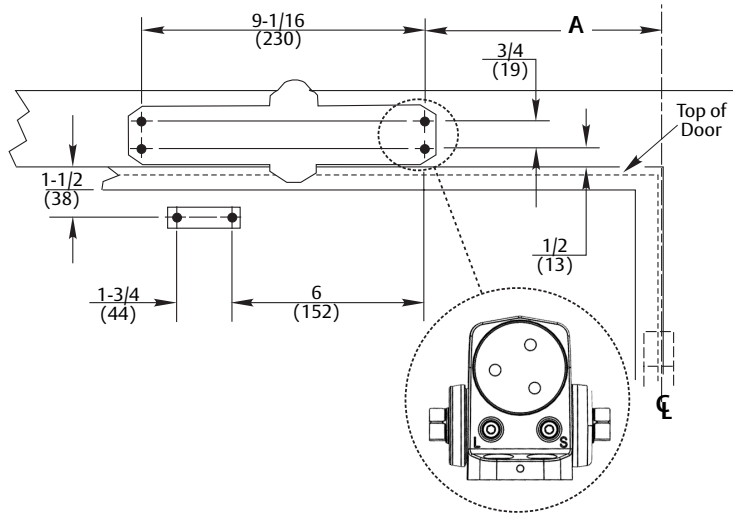


The 1130-HU Hold Open Closer - Regular Arm has now been installed.

● Go to page 2 for closer adjustments and decorative cap or cover installation.

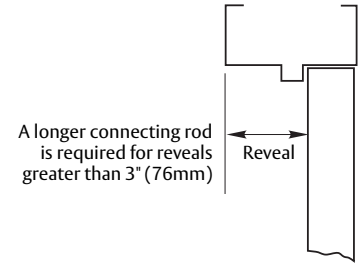
1130-HU Top Jamb Arm Installation (Right Hand Shown)

1. Prepare door and frame.

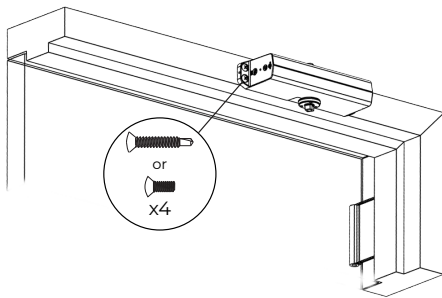


Opening	Dimension "A"
to 100°	7-1/2 (191)
101° to 120°	6 (152)
*121° to 180°	3-1/2 (89)

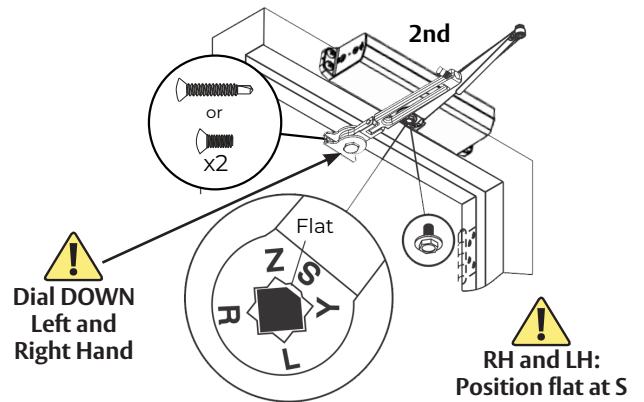
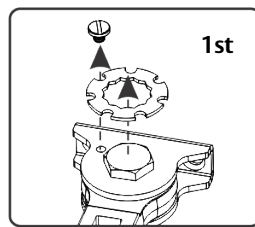
*Door/Wall/Hardware/Jamb conditions permitting



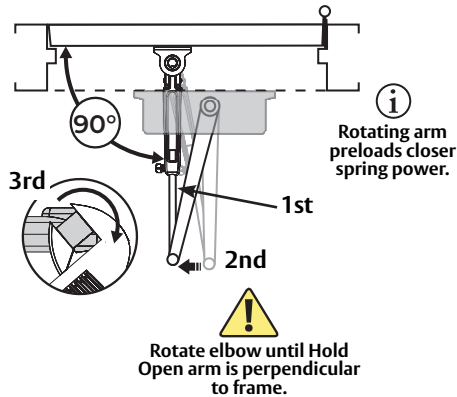
2. Mount closer to frame.



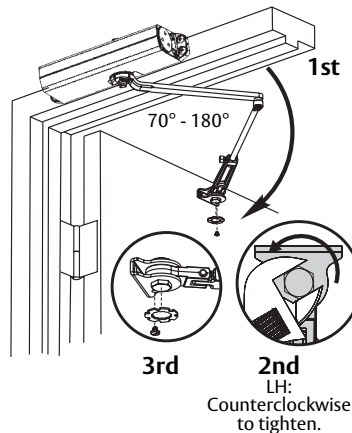
3. Remove dial from Hold Open arm and install separate arms.



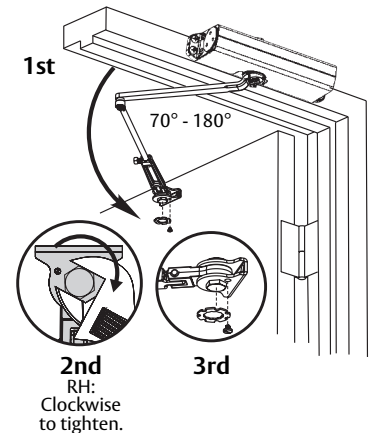
4. Connect arms, preload spring, and tighten set screw.



5. Set Hold Open.



Keep door open in position until dial screw secures dial.

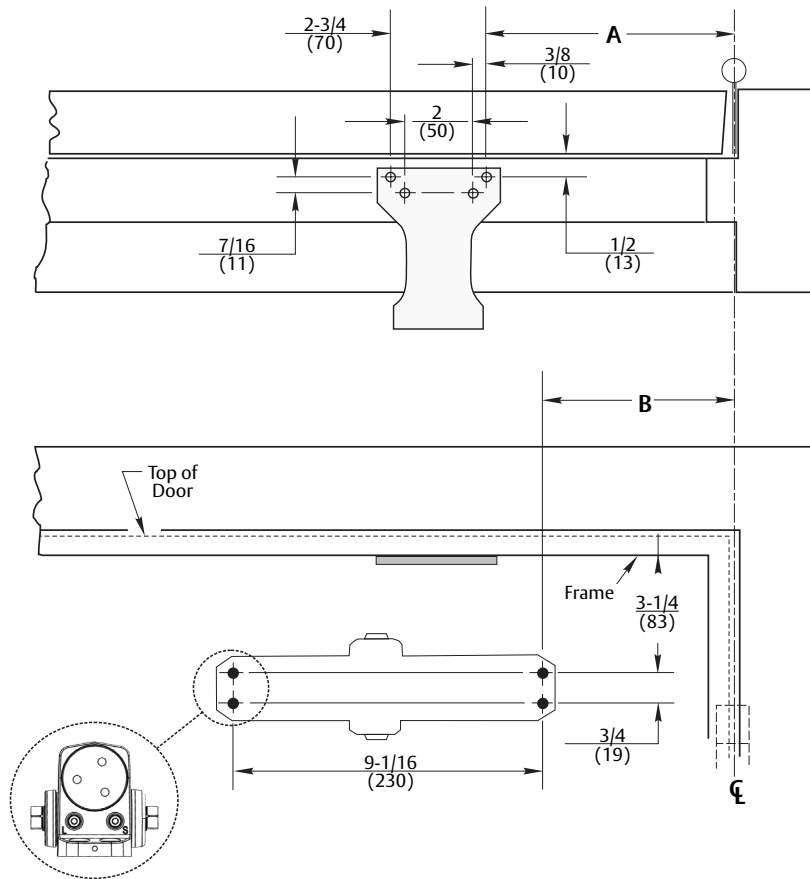


The 1130-HU Hold Open Closer - Top Jamb Mount has now been installed.

● Go to page 2 for closer adjustments and decorative cap or cover installation.

1130-HU Parallel Arm Installation (Right Hand Shown)

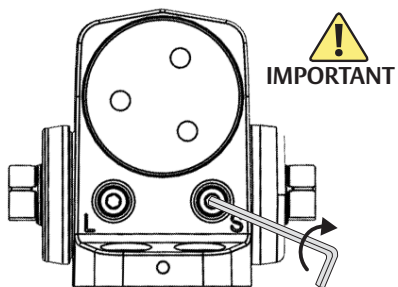
1. Prepare door and frame.



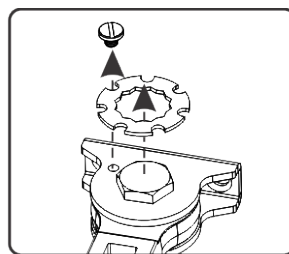
Door Opening	Dimension "A"	Dimension "B"
to 100°	9-1/4 (235)	7-5/8 (194)
101° to 130°	7-3/4 (197)	6-1/8 (156)
*131° to 180°	5-3/4 (146)	4-1/8 (105)

*Door/Wall/Hardware/Jamb conditions permitting

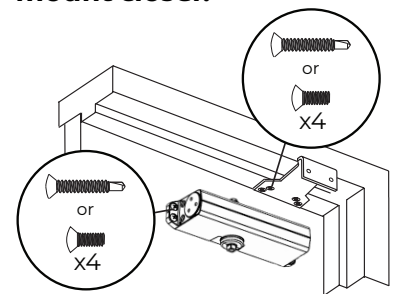
2. Close latch and sweep valves.



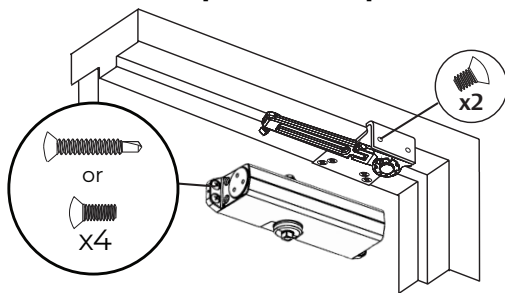
3. Remove dial from Hold Open arm.



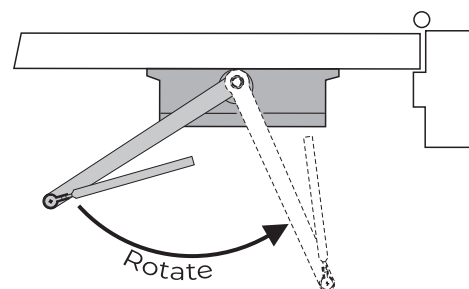
4. Install soffit plate and mount closer.



5. Install Hold Open arm to plate.



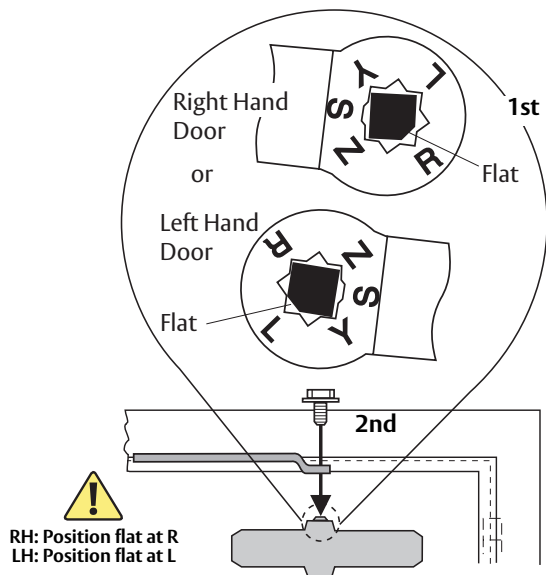
6. Place main arm on closer spindle and rotate.



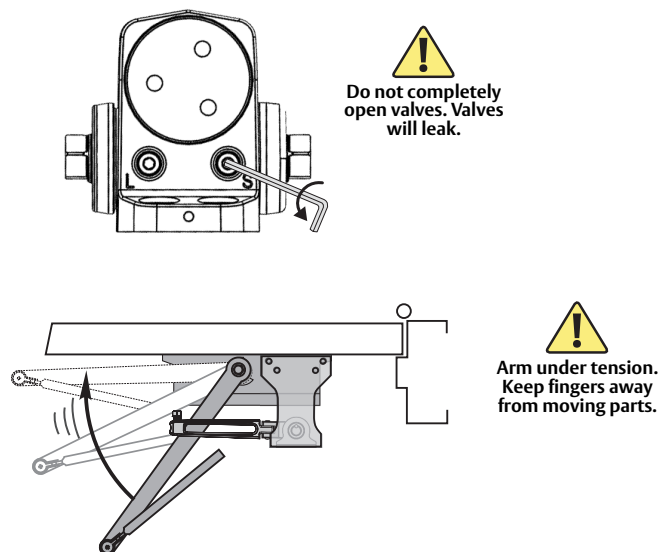
The ASSA ABLOY Group is the global leader in access solutions. Every day we help people feel safe, secure and experience a more open world.

1130-HU Parallel Arm Installation (Right Hand Shown) cont.

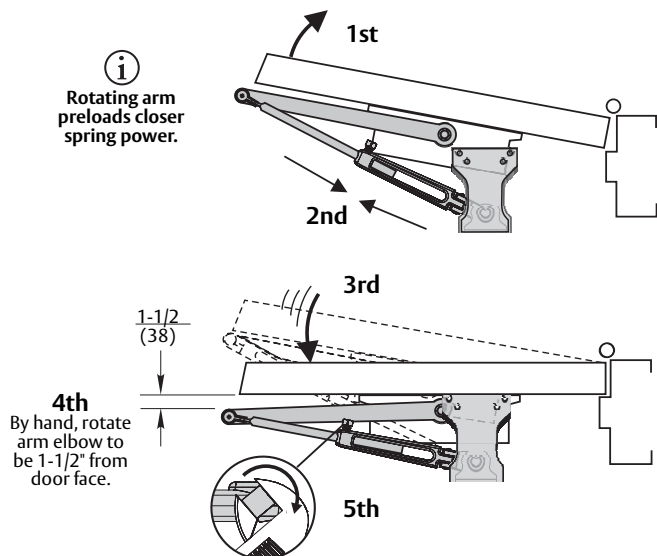
7. Remove arm and attach as shown.



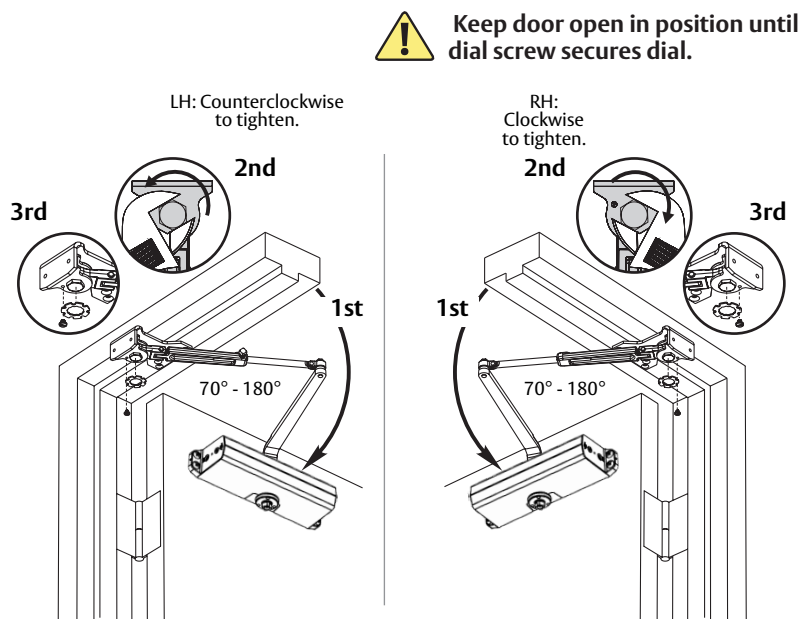
8. Open latch and sweep valves.



9. Connect arms, preload spring, and tighten set screw.



10. Set Hold Open.



The 1130-HU Hold Open Closer - Parallel Arm Mount has now been installed.

● Go to page 2 for closer adjustments and decorative cap or cover installation.

! WARNING

This product can expose you to lead which is known to the state of California to cause cancer and birth defects or other reproductive harm. For more information go to www.P65warnings.ca.gov.

1-800-727-5477 • www.sargentlock.com

Copyright © 2016, 2019, 2023, SARGENT Manufacturing Company. All rights reserved. Reproduction in whole or in part without the express written permission of SARGENT Manufacturing Company is prohibited. Patent pending and/or patent www.assaabloydes.com/patents.

Approved 2023-02-27

! WARNING

Attention Installer: Improper installation may result in damage to the product and void the factory warranty.

A7673D 80-9311-0012-021 Rev 4 02/23