

# 1130 Series Non-Handed Door Closer

## Arm Model 1131

### Installation Instructions

Non-hold Open arm model, adjustable size 1-6 (♿)

# SARGENT®

# ASSA ABLOY

### ⚠ WARNING

This product can expose you to lead which is known to the state of California to cause cancer and birth defects or other reproductive harm. For more information go to: [www.P65warnings.ca.gov](http://www.P65warnings.ca.gov).

READ AND FOLLOW ALL INSTRUCTIONS.  
SAVE THESE INSTRUCTIONS.

| Regular Arm   | Top Jamb Mount  | Parallel Arm  |
|---|---|---|
| <p>Right Hand Door - RH<br/>Left Hand Reverse - LHR</p> <p>Left Hand Door - LH<br/>Right Hand Reverse - RHR</p> | <p>Right Hand Door - RH<br/>Left Hand Reverse - LHR</p> <p>Left Hand Door - LH<br/>Right Hand Reverse - RHR</p> | <p>Right Hand Door - RH<br/>Left Hand Reverse - LHR</p> <p>Left Hand Door - LH<br/>Right Hand Reverse - RHR</p> |

| Included Components   | Optional Components  |
|---|--|
| <p><b>Closer</b></p> <p>Pinion Cap</p> <p>1/8" Hex Wrench</p> <p><b>Screw Pack</b><br/>(Refer to page 2 for a list of contents)</p> | <p><b>Arm Assembly</b></p> <p>Main Arm Pinion Screw</p> <p>Regular Arm/Top Jamb Shoe</p> <p>Main Arm</p> <p>Connecting Rod</p> <p>Forearm Screw</p> <p>Arm Slide</p> |
|   | <p><b>RU Soffit Plate</b><br/>(Used with Parallel Arm Installation Only)</p> <p>60-0535 Cover</p> <p>6-32 x 5/16" Pan Head Self Tapping Screw</p>                    |

### To Determine Your Hand of Door:

Right Hand Reverse

Left Hand Reverse

**LEFT HAND DOOR**

**RIGHT HAND DOOR**

### To Identify Your Model:

Spring Power Adjustment

Size Code

BC Valve

Date Code

### Tools Needed:

|                |       |                         |                      |   |
|----------------|-------|-------------------------|----------------------|---|
|                |       |                         |                      |   |
| Tape Measure   | Punch | Pencil                  | Phillips Screwdriver | Adjustable Wrench                           |
|                |       | #7 and 1/4-20 for Metal | 3/16" for Wood       | 9/32" and 3/8" for Either Nut & Bolt Option |
| Safety Glasses | Drill | #7 and 1/4-20 for Metal | 3/16" for Wood       | 9/32" and 3/8" for Either Nut & Bolt Option |







**ATTENTION:**

An incorrectly installed or improperly adjusted door closer can cause property damage or personal injury. These installation instructions should be followed to avoid the possibility of misapplication or misadjustment.


- For special applications, a separate door and frame preparation template is packed with these instructions. Use this instruction sheet for installation sequence and closer adjustments only.
- Doors should be hung on ball bearing or anti-friction hinges.
- A separate door stop is recommended.

- Always consult door/frame manufacturer for fastener compatibility.
- Door and frame must be properly reinforced.
- Adjust closing time speed between 3 and 7 seconds from 90° to 0°.
- These door closers should NOT be installed on exposed side (weather side) of exterior doors.
- Dimensions are given in inches (millimeters).

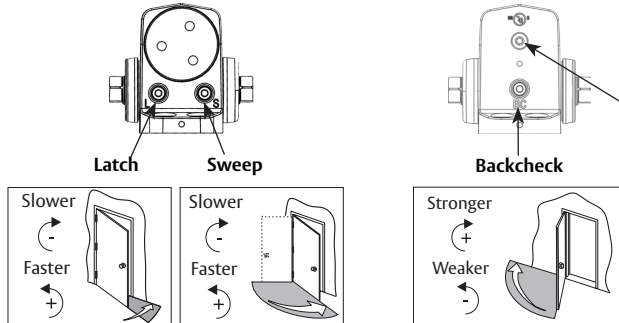
**Supplied Hardware**

| Mounting Hardware  |   | Door or Frame    | Drill  |
|--|---|------------------|--|
|   | <b>Closer, PA Bracket:</b><br>1/4-14 x 1-1/2 Oval Flat Head Self Drilling Screw   | Wood/Metal       | 3/16" (4.8mm) for wood   |
|   | <b>Closer, PA Bracket:</b><br>1/4-20 x 3/4 Oval Flat Head Mach. Screw   | Metal            | Drill #7 (.201 dia. or 5.1mm)<br>Tap 1/4-20  |
|   | <b>Arm Shoe to Jamb or Door:</b><br>1/4-20 x 5/8 Round Head Mach. Screw   |                  |  |
|   | <b>Arm Shoe to Jamb or Door:</b><br>1/4-14 x 1-1/2 Round Head Self Drilling Screw                                       | Wood/Metal       | 3/16" (4.8mm) for wood   |
|   | <b>Closer:</b><br>Sleeve Nut and Bolt (SNB) (optional)<br>with 1/4-20 x 3/4 Oval Flat Head Mach. Screw<br>(recommended) | Hollow Metal     | 9/32" (7.0mm) thru<br>3/8" (9.5mm) door face opposite to closer                              |
|  |   | Aluminum or Wood | 3/8" (9.5mm) thru  |
|  | <b>Closer:</b><br>Thru Bolt and Grommet Nut (TGBN) (optional)   | All              | 9/32" (7.0mm) thru<br>3/8" (9.5mm) dia. x 3/8" (9.5mm) deep, door face<br>opposite to closer |


**Closer Adjustments**

 Use provided hex wrench to turn valves. NEVER force valves out of closer. NEVER completely close backcheck valve. Door must be open to adjust spring closing power. Refer to the chart.

Use of a power drill will void the Warranty.

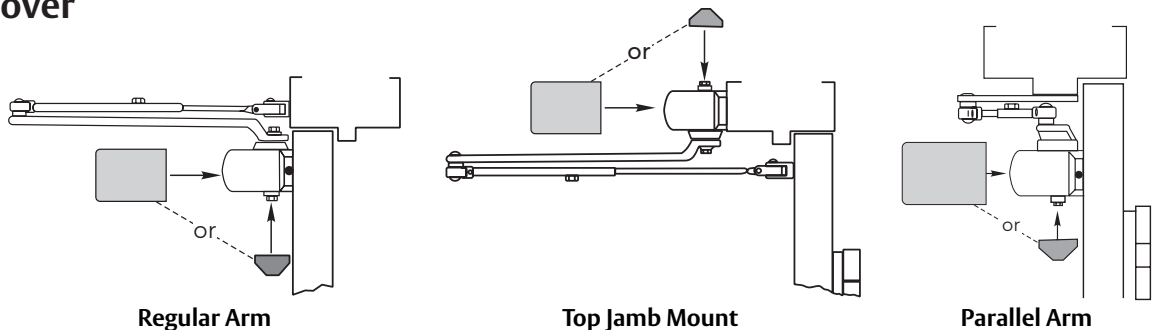


| Spring Closing Power |                      |                 | Number of Turns Required |                |                |                |                |    |
|----------------------|----------------------|-----------------|--------------------------|----------------|----------------|----------------|----------------|----|
| Door                 | Type of Installation | *               | Maximum Door Size        |                |                |                |                |    |
|                      |                      |                 | 34"<br>(0.85M)           | 36"<br>(0.90M) | 40"<br>(1.00M) | 44"<br>(1.10M) | 48"<br>(1.20M) |    |
| 1131                 | Interior             | Full 360° Turns | Regular Arm Top Jamb     | 2              | 4              | 6              | 10             | 12 |
|                      |                      |                 | Parallel Arm             | 3              | 5              | 8              | 11             | 14 |
|                      | Exterior             |                 | Regular Arm Top Jamb     | 3              | 5              | 8              | 11             | 14 |
|                      |                      |                 | Parallel Arm             | 5              | 8              | 11             | 16             | 19 |

\*30 Full (360°) turns maximum available  = turns as shipped

**Pinion Cap or Cover**

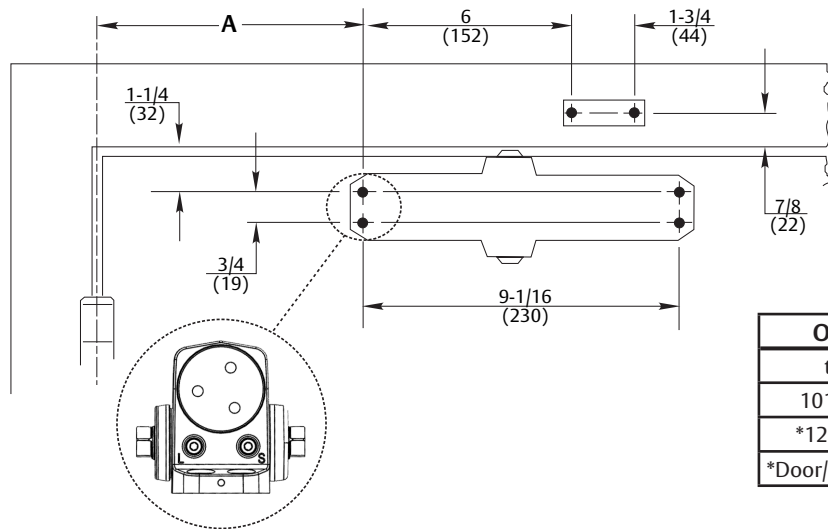
 Do not over tighten cap or cover screws.



# 1130 Series Non Hold Open Closer

## 1130 Regular Arm Installation (Right Hand Shown)

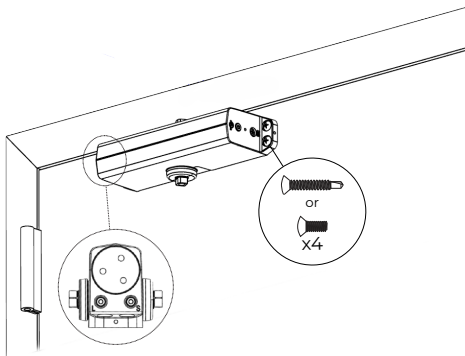
### 1. Prepare door and frame.



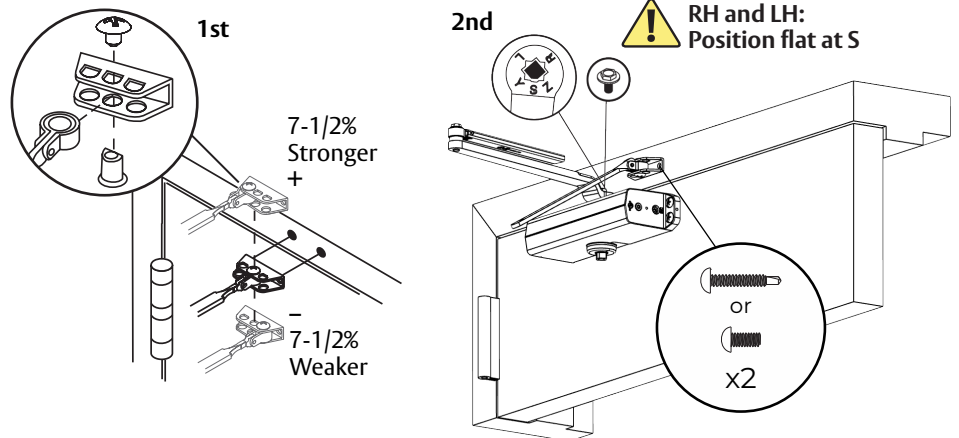
| Opening       | Dimension "A" |
|---------------|---------------|
| to 100°       | 7 (178)       |
| 101° to 120°  | 6 (152)       |
| *121° to 180° | 3-1/2 (89)    |

\*Door/Wall/Hardware/Jamb conditions permitting

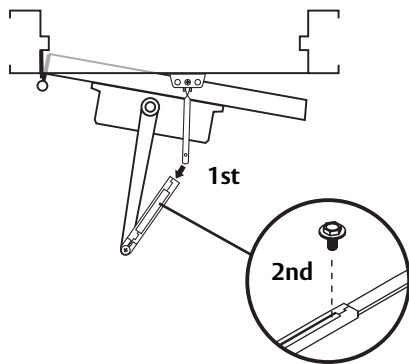
### 2. Mount closer to door.



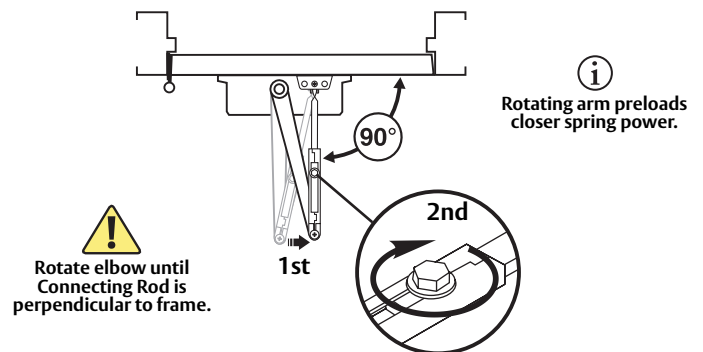
### 3. Choose arm placement in shoe and install arms.



### 4. Connect arms and install forearm screw.



### 5. Preload spring and tighten forearm screw.

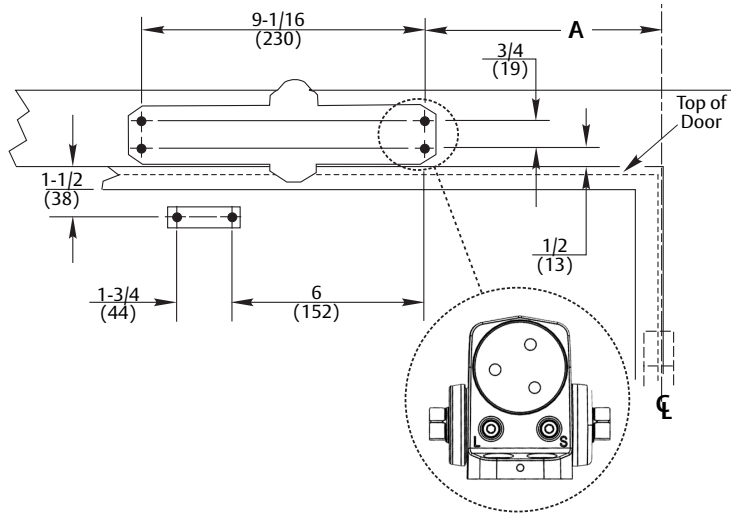


The 1130 Non Hold Open Closer - Regular Arm has now been installed.

● Go to page 2 for closer adjustments and decorative cap or cover installation.

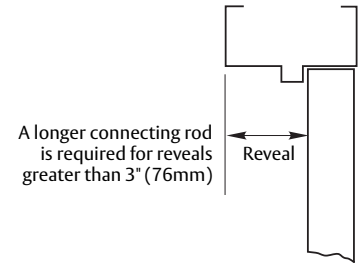
**1130 Top Jamb Arm Installation (Right Hand Shown)**

**1. Prepare door and frame.**

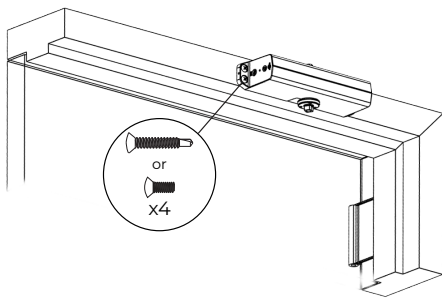


| Opening       | Dimension "A" |
|---------------|---------------|
| to 100°       | 7-1/2 (191)   |
| 101° to 120°  | 6 (152)       |
| *121° to 180° | 3-1/2 (89)    |

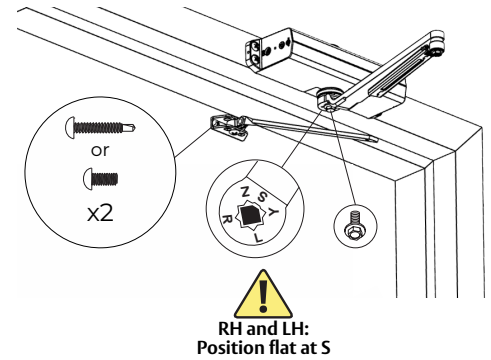
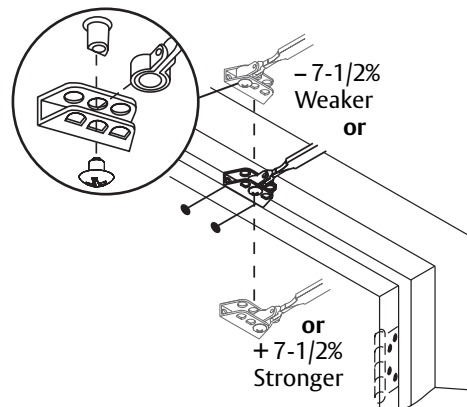
\*Door/Wall/Hardware/Jamb conditions permitting



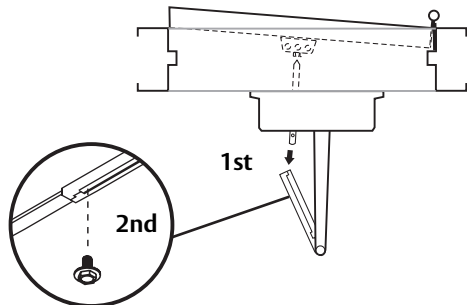
**2. Mount closer to frame.**



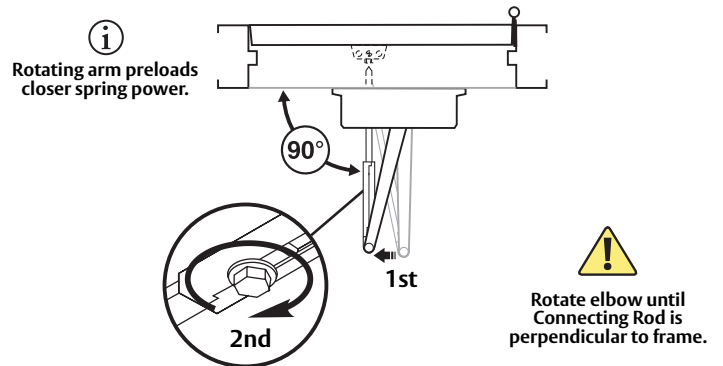
**3. Choose arm placement in shoe and install separate arms.**



**4. Connect arms and install forearm screw.**



**5. Preload spring and tighten forearm screw.**

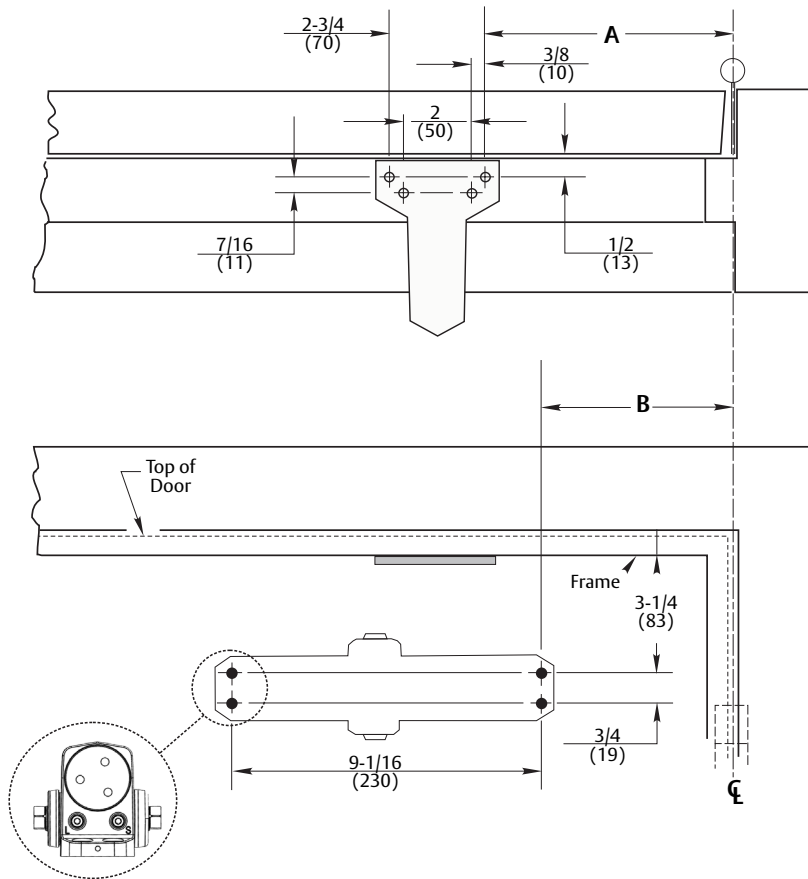


The 1130 Non Hold Open Closer - Top Jamb Mount has now been installed.

● Go to page 2 for closer adjustments and decorative cap or cover installation.

## 1130 Parallel Arm Installation (Right Hand Shown)

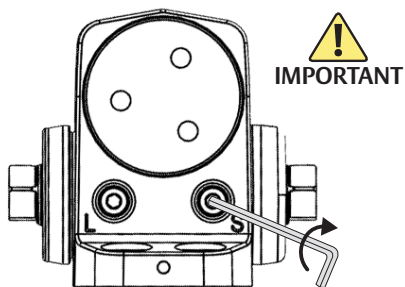
### 1. Prepare door and frame.



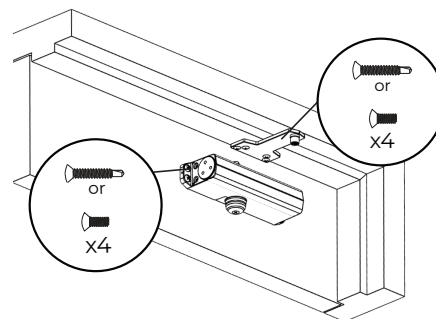
| Door Opening  | Dimension "A" | Dimension "B" |
|---------------|---------------|---------------|
| to 100°       | 9-1/4 (235)   | 7-5/8 (194)   |
| 101° to 130°  | 7-3/4 (197)   | 6-1/8 (156)   |
| *131° to 180° | 5-3/4 (146)   | 4-1/8 (105)   |

\*Door/Wall/Hardware/Jamb conditions permitting

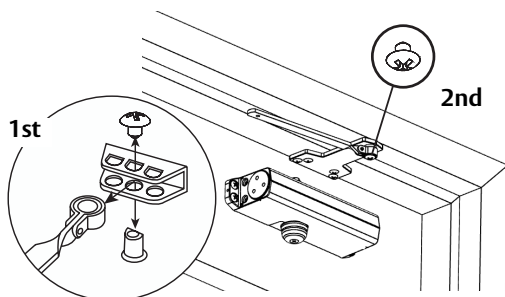
### 2. Close latch and sweep valves.



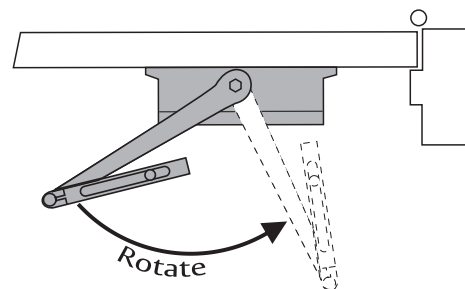
### 3. Install soffit plate and mount closer.



### 4. Remove arm shoe and install forearm to plate.



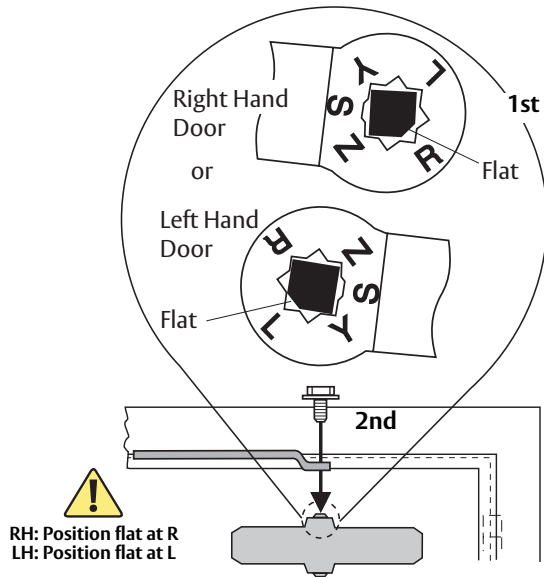
### 5. Place main arm on closer spindle and rotate



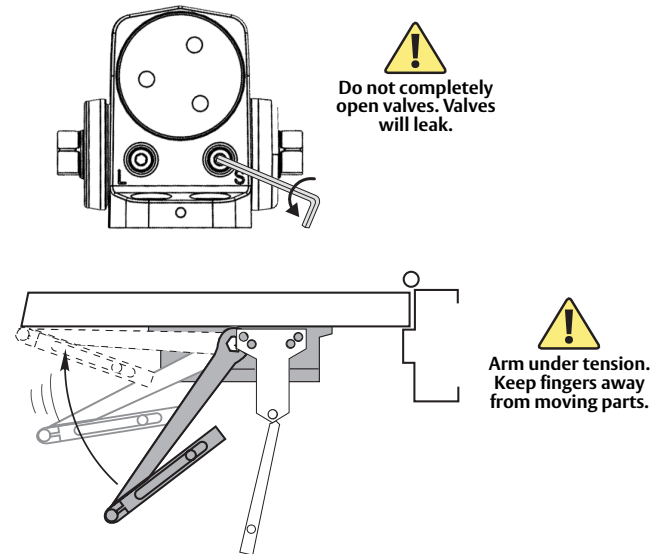
The ASSA ABLOY Group is the global leader in access solutions. Every day we help people feel safe, secure and experience a more open world.

## 1130 Parallel Arm Installation (Right Hand Shown) cont.

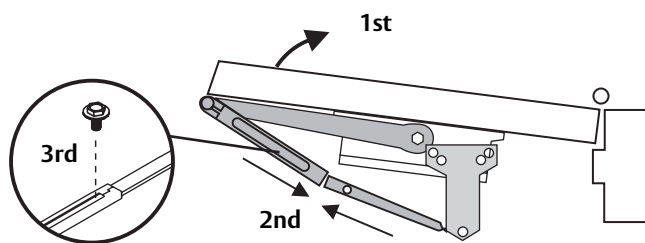
### 6. Remove arm and attach as shown.



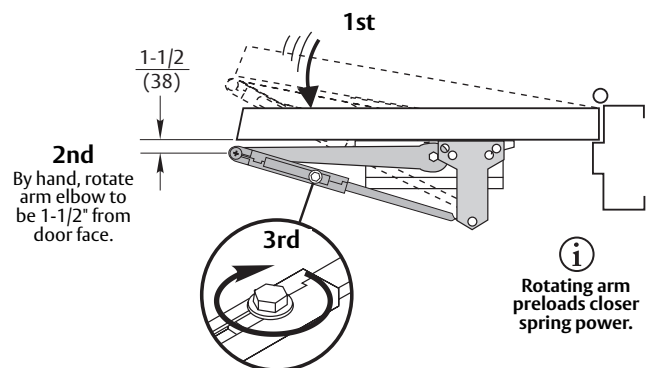
### 7. Open latch and sweep valves.



### 8. Connect arms and install forearm screw.



### 9. Preload spring and tighten forearm screw.



The 1130 Non Hold Open Closer - Parallel Arm Mount has now been installed.

● Go to page 2 for closer adjustments and decorative cap or cover installation.

#### ⚠ WARNING

This product can expose you to lead which is known to the state of California to cause cancer and birth defects or other reproductive harm. For more information go to [www.P65warnings.ca.gov](http://www.P65warnings.ca.gov).

1-800-727-5477 • [www.sargentlock.com](http://www.sargentlock.com)  
Copyright © 2016, 2023, SARGENT Manufacturing Company. All rights reserved. Reproduction in whole or in part without the express written permission of SARGENT Manufacturing Company is prohibited. Patent pending and/or patent [www.assaabloydes.com/patents](http://www.assaabloydes.com/patents).

Approved 2023-02-24

#### ⚠ WARNING

Attention Installer: Improper installation may result in damage to the product and void the factory warranty.

A7674D 80-9311-0011-021 Rev 4 02/23