

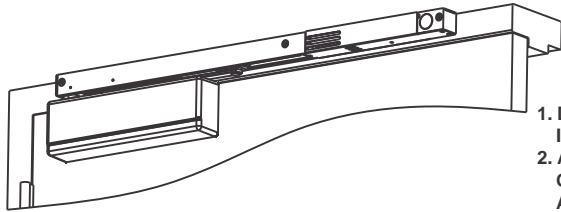
12-2469 FIREGUARD® Closer-Holder Device PULL SIDE INSTALLATION INSTRUCTIONS

SARGENT®

ASSA ABLOY

CAUTION: FAILURE TO INSTALL OR ADJUST PROPERLY MAY RESULT IN INJURY OR DAMAGE
For assistance, contact SARGENT at 800-810-WIRE (9473) or www.sargentlock.com

NOTE: AN AUXILIARY DOOR STOP IS REQUIRED AT HOLD OPEN

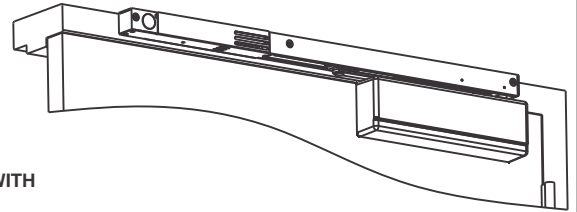


Right Hand Shown



CAUTION:

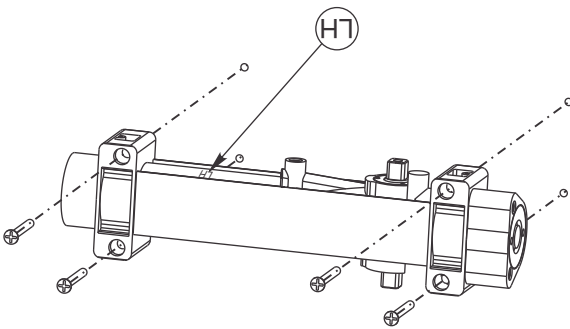
1. DISCONNECT ALL POWER BEFORE INSTALLATION.
2. ALL WIRING TO BE PERFORMED BY QUALIFIED PERSONNEL TO COMPLY WITH ALL APPLICABLE LOCAL CODES.
3. MAXIMUM WIRE SIZE IS 18 AWG.



Left Hand Shown

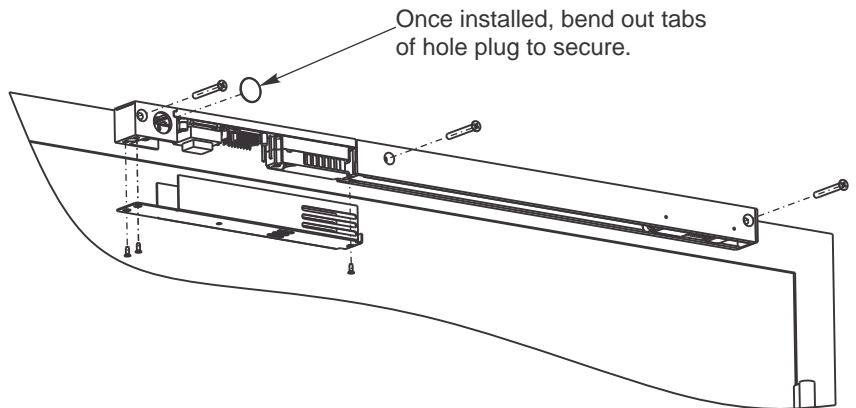
1 Use template on page 4. Drill and tap door for 12-24 machine screws and frame for 1/4-20 machine screws. Prepare hole for conduit. **Do not drill through channel, as damage will occur voiding warranty.**

2 Install closer body to door with spring power nut away from hinge. Left hand shown.

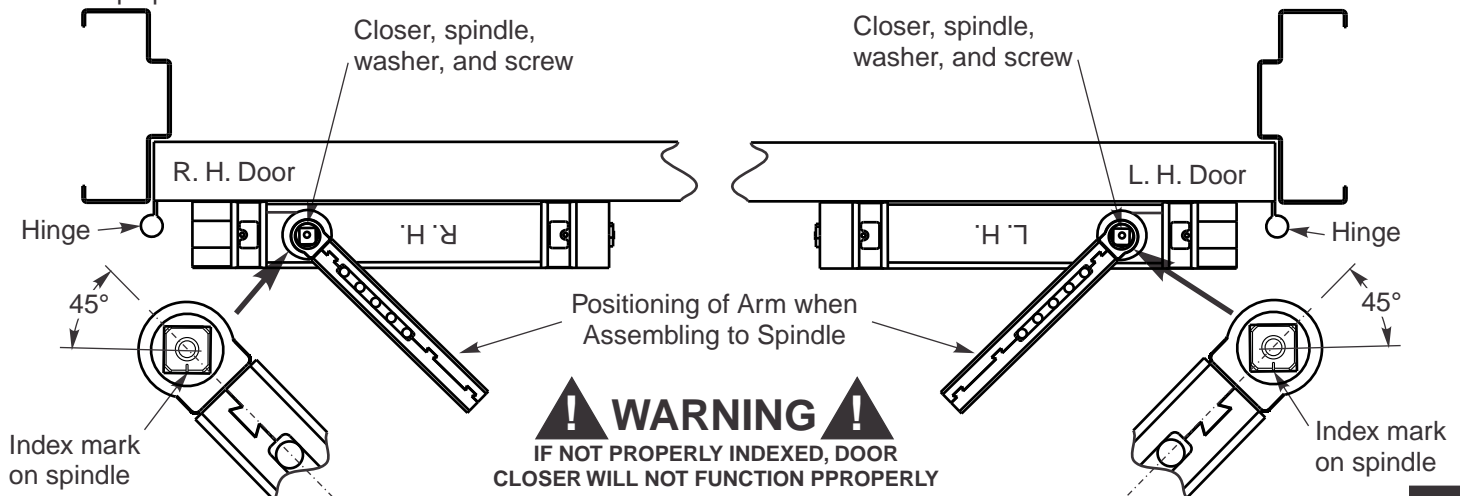


351 Closers are non-handed, RH must be on top for right hand doors and LH must be on top for LH doors.

3 Following local codes, attach cable or conduit to track. Secure track to frame with electronics away from hinge with screws provided. Wire unit as shown on Page 3; install cover as shown.

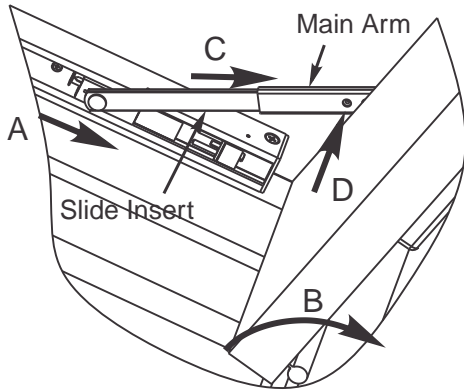


4 With wrench on bottom spindle, rotate spindle approximately 45°. Use screw and washer to secure main arm to top spindle with index mark as shown.



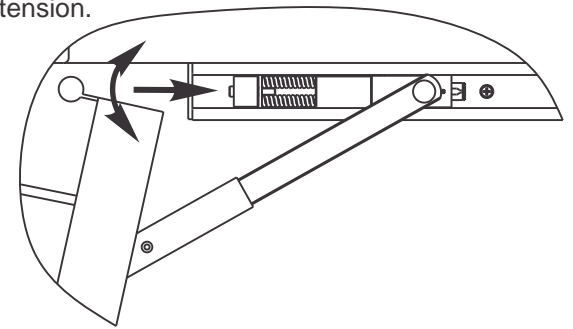
! WARNING !
IF NOT PROPERLY INDEXED, DOOR CLOSER WILL NOT FUNCTION PROPERLY

5 Adjust hold open angle by adjusting arm length:
Range of 85° to 110° is obtainable. A) Place slider in hold-open setting, B) open door, C) insert slide insert into main arm. Open door to desired hold-open position and D) secure arms with 9/64" hex screw.



6 To adjust holding tension:
Insert 9/64" allen wrench thru hole in track end cap into cap screw in spring mechanism. Rotate allen wrench for desired tension.

SARGENT®
ASSA ABLOY



FINAL ADJUSTMENT AND REGULATING PROCEDURES

Closing and latching speed:

Turn valves clockwise to slow down or counterclockwise to speed up door movement.

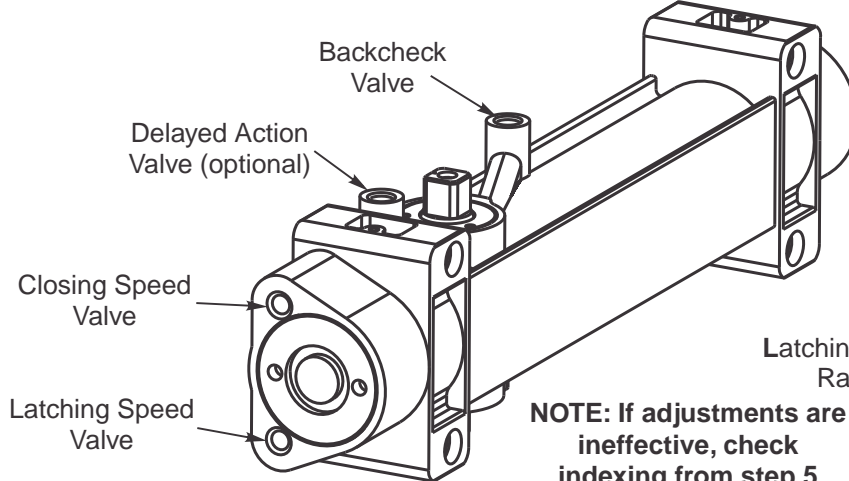
Backcheck:

Turn valve clockwise to increase or counterclockwise to decrease.

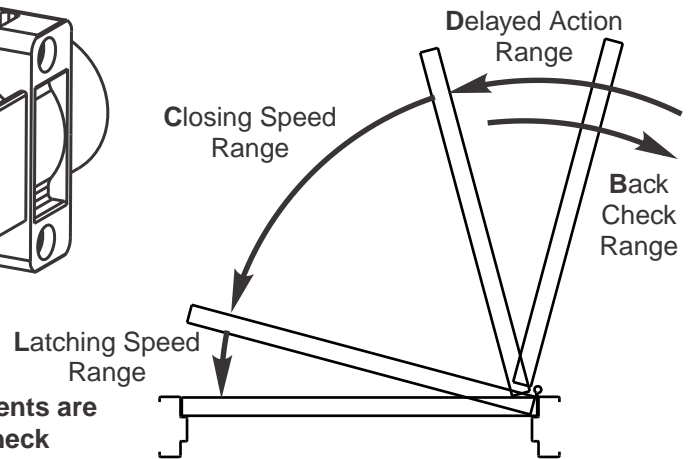
CAUTION: SET VALVE FOR SLIGHT CUSHIONING EFFECT. NEVER USE THE BACKCHECK AS A DOOR STOP. ALWAYS USE A DOOR STOP TO STOP THE DOOR.

Delayed action feature (optional):

When provided, turn valve clockwise to slow down or counterclockwise to speed up door movement.



NOTE: If adjustments are ineffective, check indexing from step 5

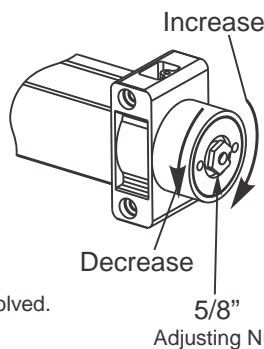


Adjust power to allow door to close and latch

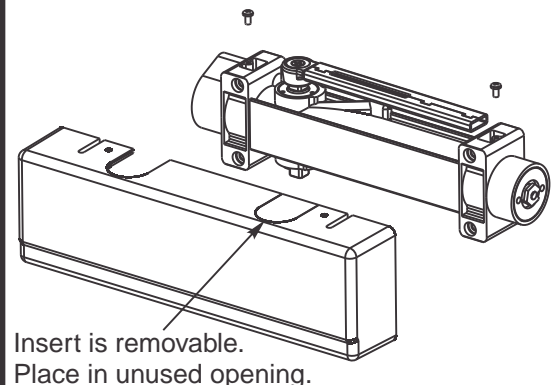
Number of Turns of Spring Power Adjusting Nut

Door Width (inches)	Exterior Doors	Interior Doors
24 - 30	1 - 3 CCW	1 - 3 CCW
30 - 36	Factory Set	Factory Set
36 - 42	1 - 4 CW	1 - 4 CW
42 - 48	7 - 9 CW	4 - 6 CW

Adjusting door to close due to high draft conditions may exceed ADA standards. Consult local ordinances when fire doors are involved.



Install cover as shown.

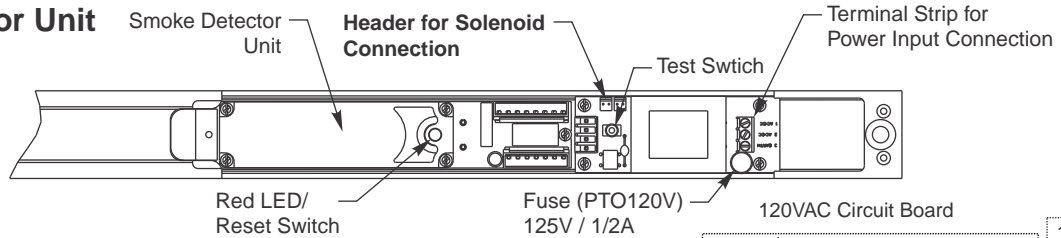


Insert is removable. Place in unused opening.

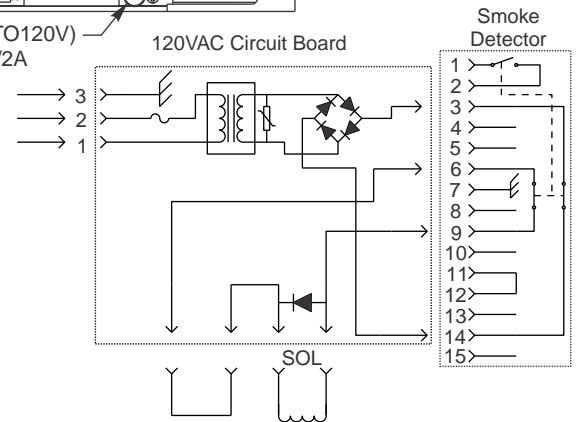
CAUTION

1. Disconnect all power before beginning installation to prevent electrical shock and equipment damage.
2. Installer must be a trained, experienced service person.
3. All wiring must comply with applicable local electrical codes, ordinances and regulations.
4. Maximum wire size is 14AWG.

12- Smoke Detector Unit
(120VAC shown)

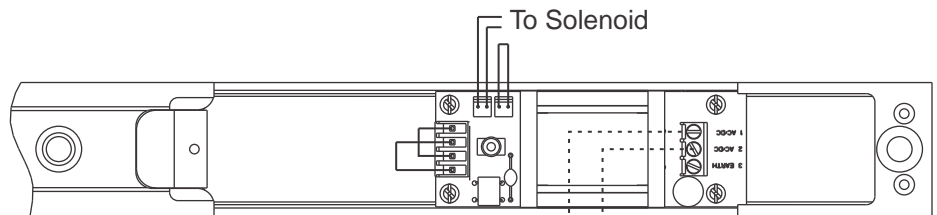


- Wire stand alone unit to appropriate power supply and fire system.
- Refer to data sticker on back of hook-up box for proper input power voltage and current specifications.
- Solenoid Connector must be attached to Header on circuit board before hold open will function.
- Energize power supply. Current draw of .074Amps max per unit.
- Open door to hold open point. Door should hold open.
- Depress Test Switch. Door should close and latch.
- Test Switch is a momentary switch. Once released, hold open should re-energized.
- Adjust closer spring power to insure proper latching.

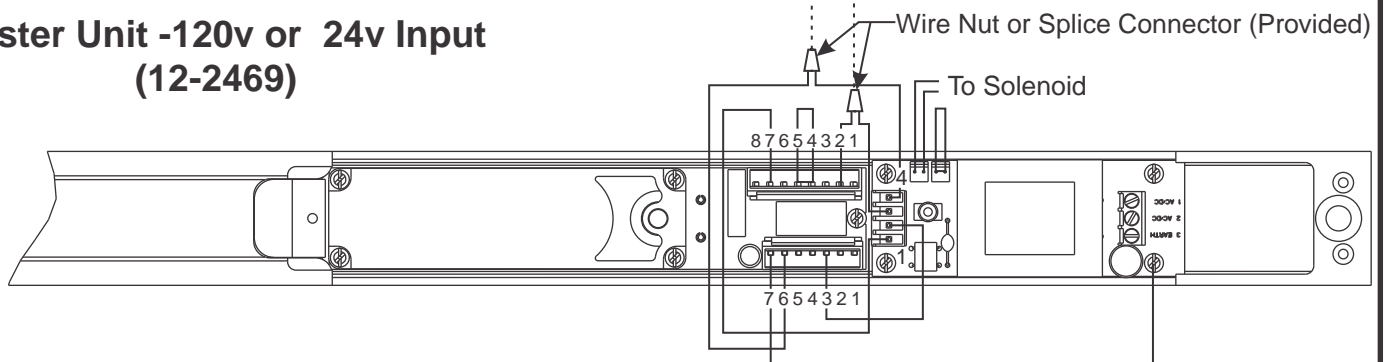


Wiring Diagram for Master to Companion

Companion Unit - 24v ONLY
(2469 / 9-2469)

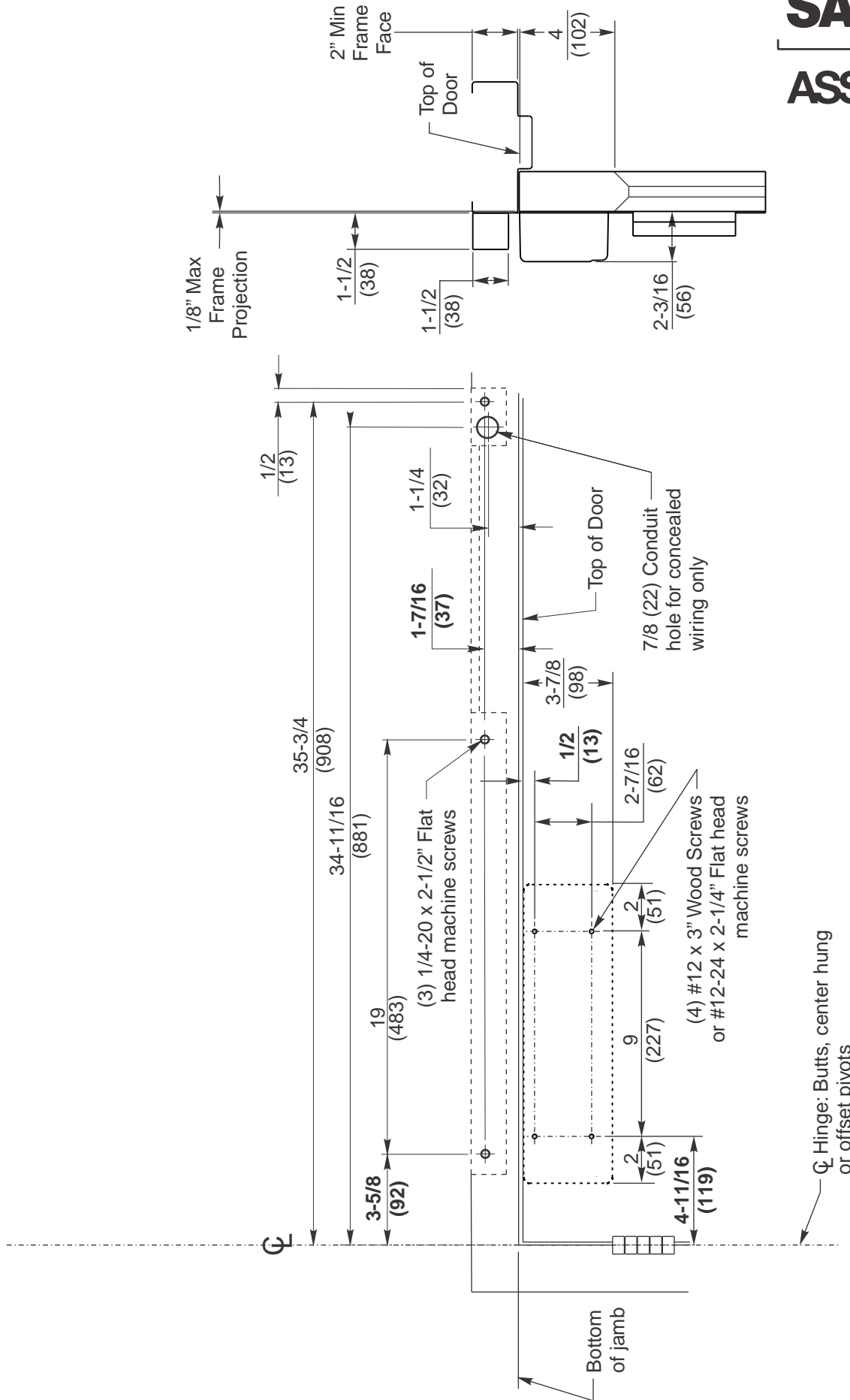


Master Unit -120v or 24v Input
(12-2469)



- Companion units are designed to work with 12- smoke detector units.
- Wire companion unit to smoke detector unit as shown on wiring diagram.
- Do not disconnect any existing wires on smoke detector unit's terminal strip.

- Energize power supply. Current draw of .074Amps max per unit.
- Open door to hold open point. Door should hold open.
- Depress Test Switch on master unit. Doors should close and latch.
- Test Switch is a momentary switch. Once released, hold open should re-energized.
- Adjust closer spring power to insure proper latching.



NOTES:

1. Reinforced metal doors and frames per ANSI A250.8 & SDI-100, 12 gauge recommended.
2. Left hand door shown, right hand opposite.
3. For narrow rail doors (minimum 3"), use 351-D drop plate.