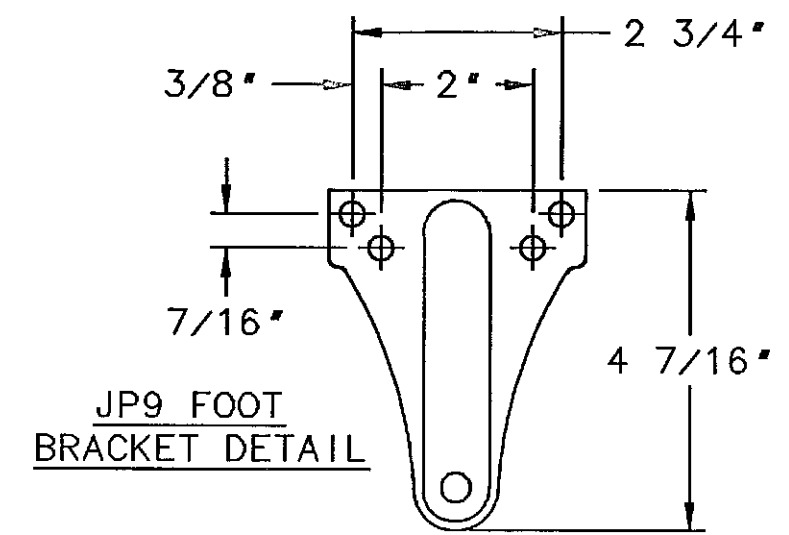


MAXIMUM DEGREE OF DOOR OPENING	DIM 'A'	DIM 'B'
120°	3 3/4"	9 1/2"
180°	1 1/4"	7"

CL OF HINGE

LEFT HAND DOOR SHOWN, RIGHT HAND OPPOSITE

#12-24 X 5/8" FLAT HEAD MACHINE SCREWS OR #12 X 1 3/4" SCREWS PROVIDED



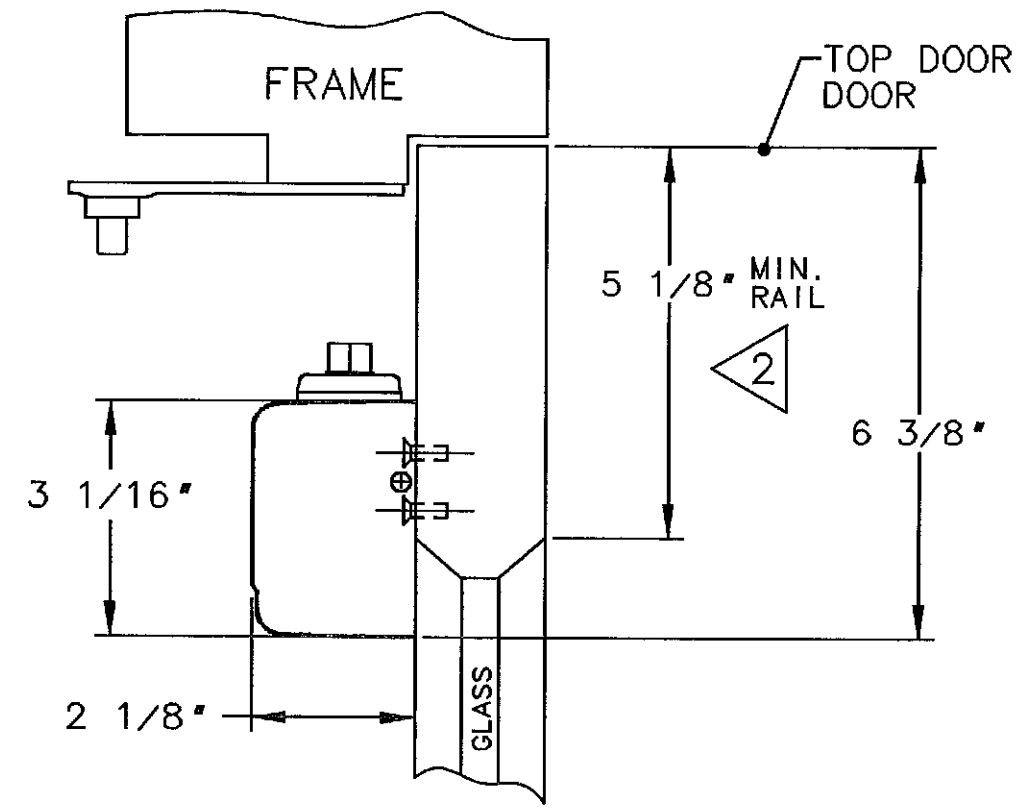
BOTTOM OF STOP

3 1/2"

"A"

12"

3/4"



NOTES

1. REINFORCE METAL DOORS AND FRAMES PER ANSI A250.8 AND SDI-100 STANDARDS, 12 GAUGE RECOMMENDED.
2. FOR THIN TOP RAIL DOORS, USE 1331-D PLATE. SEE TEMPLATE A7735.

SARGENT[®] Manufacturing Company
100 Sargent Drive New Haven, CT 06511

DATA SHEET:
1331 DOOR CLOSER WITH JP9 ARM
PARALLEL ARM APPLICATION

RELEASE DATE
APR-16-04
TEMPLATE NO.
A7729