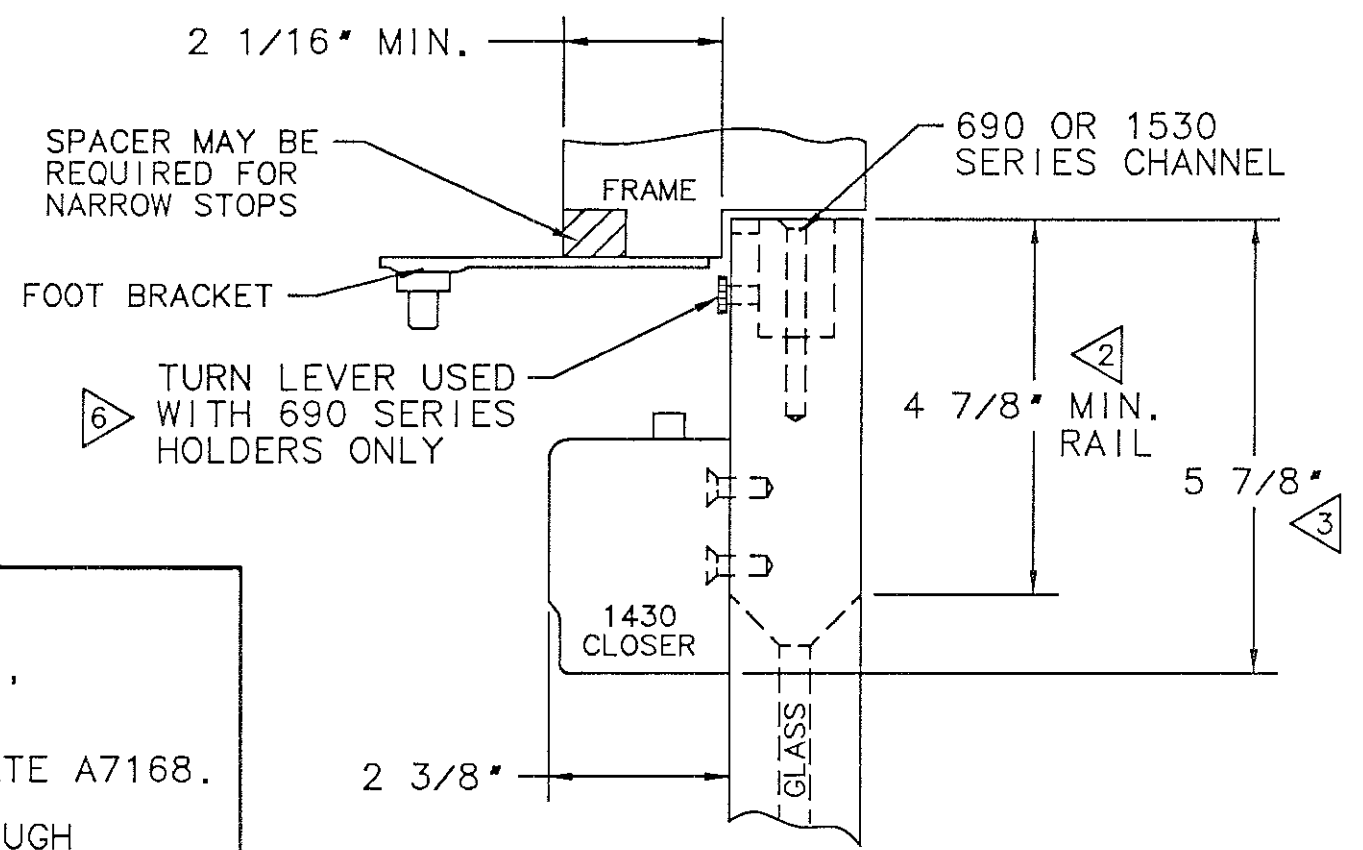


P9 FOOT BRACKET DETAIL



NOTES

1. REINFORCE METAL DOORS AND FRAMES PER ANSI A250.8 & SDI-100, 12 GAUGE RECOMMENDED.
2. FOR THIN TOP RAIL DOORS, USE 1430-D DROP PLATE, SEE TEMPLATE A7168.
3. 1430-J COVER PLATE MAY BE USED WHEN CLOSER IS VISIBLE THROUGH GLASS PANEL.
4. FOR 697-699 INSTALLATION. SEE TEMPLATES A7482 - A7484
5. FOR 1536-1539 INSTALLATION, SEE TEMPLATES A7485 - A7487
6. THE 690 TURN LEVER MAY BE INSTALLED ON EITHER SIDE OF DOOR.
7. LEFT HAND DOOR SHOWN, RIGHT HAND OPPOSITE.

<b>SARGENT<sup>®</sup> Manufacturing Company</b> 100 Sargent Drive New Haven, CT 06511	
DATA SHEET: 1430 SERIES CLOSER WITH P9, RP9 PARALLEL ARM AND 1536-1539 OR 697-699 SERIES HOLDER/STOP	RELEASE DATE APRIL 02
	TEMPLATE NO. A7553 B