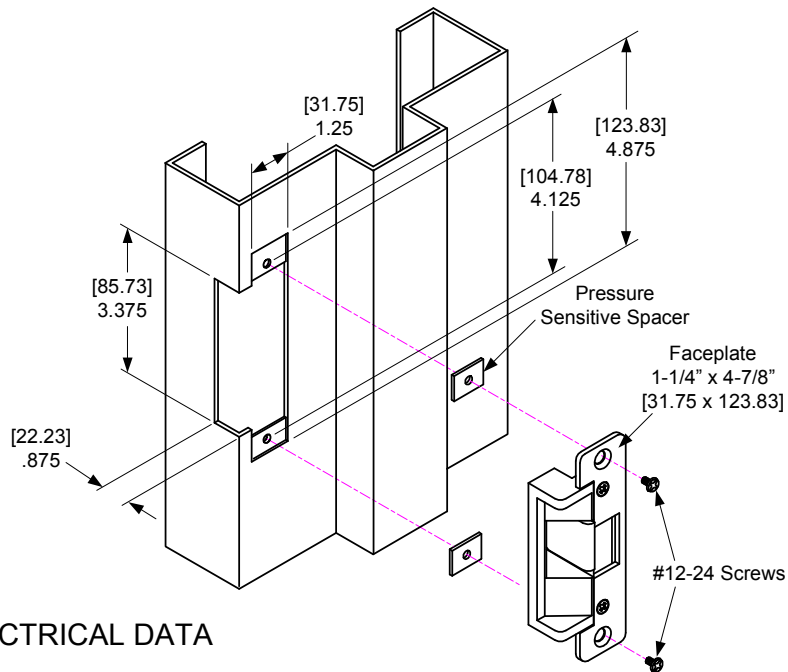


# SDC Security Door Controls

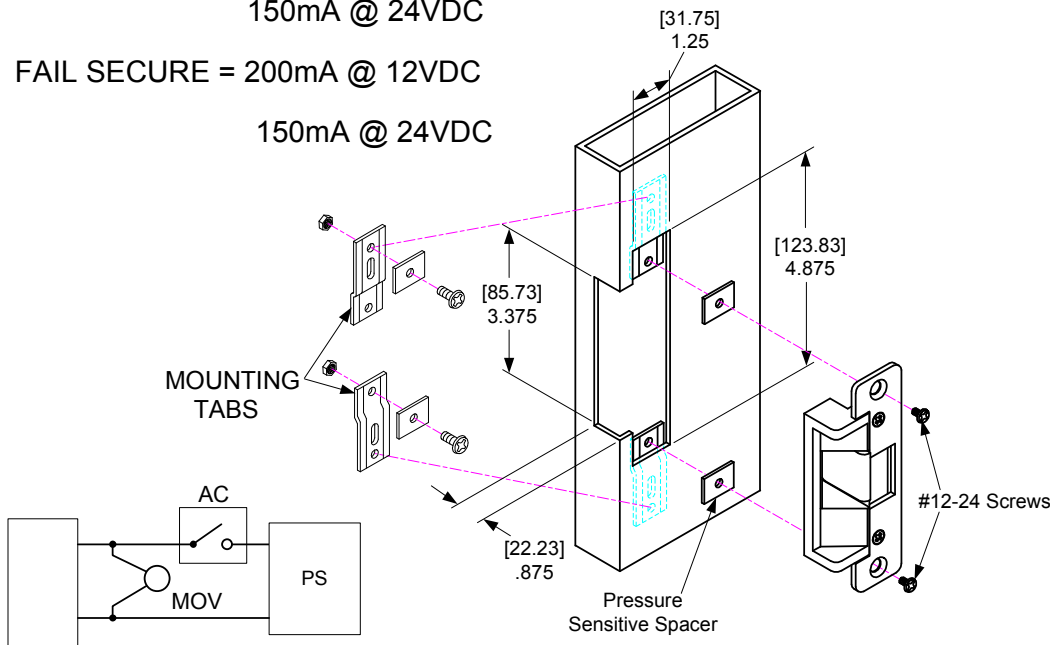
801 Avenida Acaso, Camarillo, Ca. 93041 • (805) 494-0622 • Fax: (805) 494-8861  
 www.sdcsecurity.com • E-mail: service@sdsecurity.com

## 15 SERIES ELECTRIC STRIKE INSTALLATION INSTRUCTIONS



### ELECTRICAL DATA

FAIL SAFE = 200mA @ 12VDC  
 150mA @ 24VDC  
 FAIL SECURE = 200mA @ 12VDC  
 150mA @ 24VDC



Any suggestions or comments to this instruction or product are welcome. Please contact us through our website or email [engineer@sdsecurity.com](mailto:engineer@sdsecurity.com)