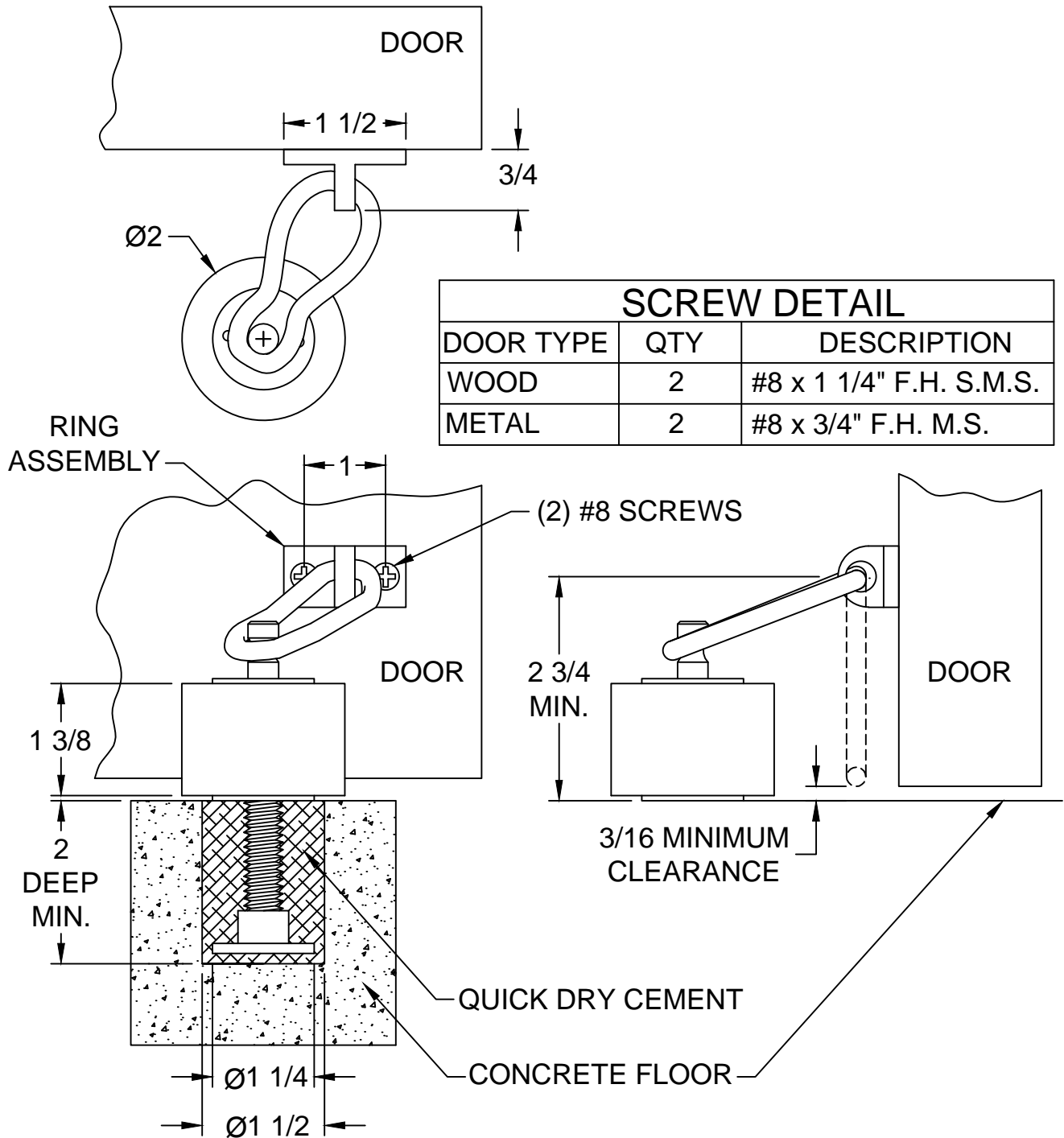


DOOR STOP WITH HOLD-OPEN

- 1) CREATE DOOR STOP MOUNTING AREA AND FILL WITH QUICK DRY CEMENT.
- 2) PUSH STOP INTO HOLE AND LET DRY.
- 3) LOCATE AND INSTALL RING ASSEMBLY ON DOOR.



© www.abhmfg.com
 E-mail: abhinfo@abhmfg.com
 Architectural Builders Hardware Mfg., Inc.
 1222 Ardmore Ave., Itasca, IL 60143
 630.875.9900; FAX 800.9FAXABH (932.9224)

©2009 ABH Mfg., Inc.
 printed in USA

1803HO-00.DWG

1803HO

PAGE 1 OF 1
 ISSUED 12-24-09