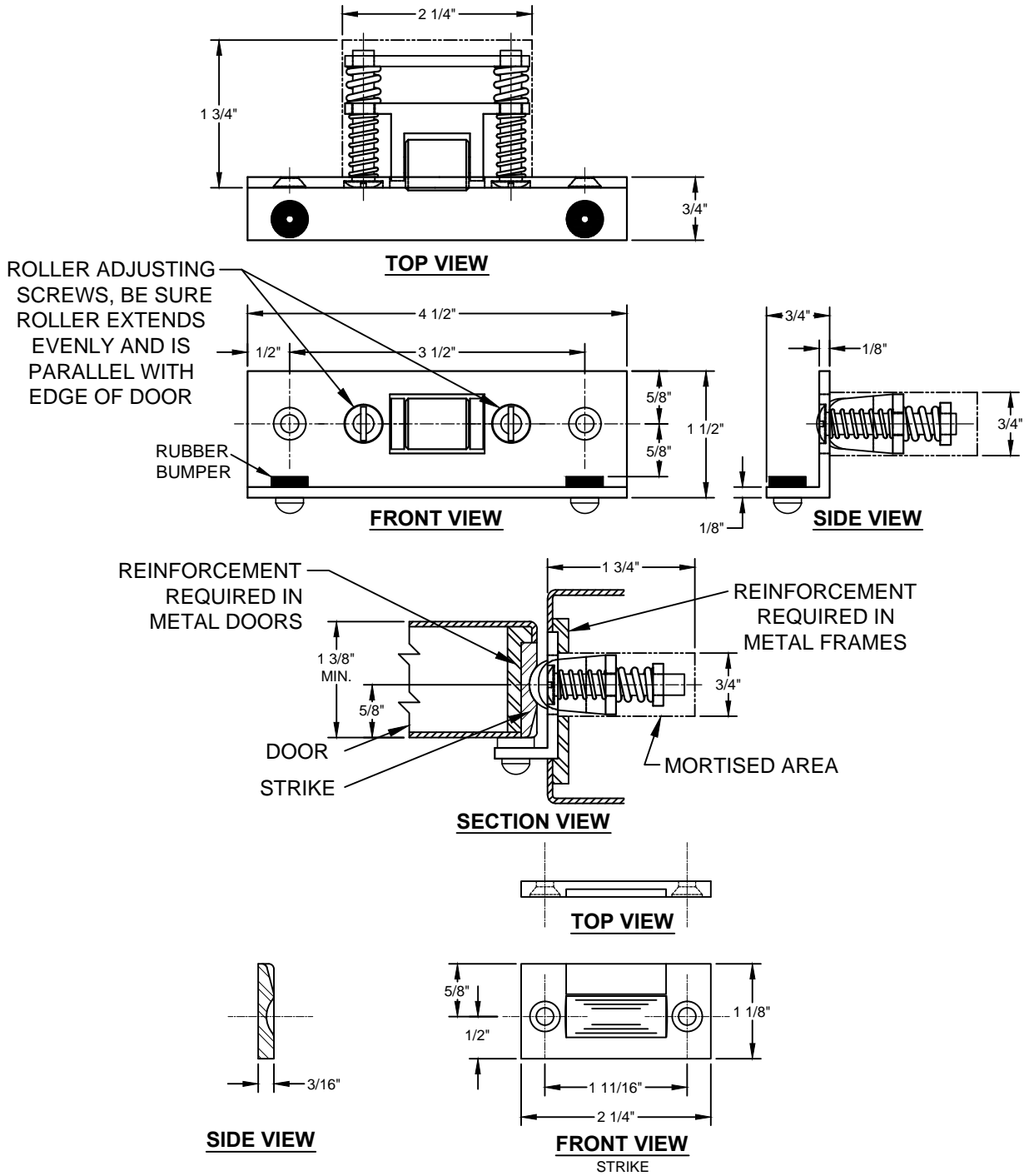


1893 ROLLER LATCH WITH APPLIED STOP WITH STRIKE

FOR USE WITH SINGLE DOORS WITHOUT STOP



| SCREW DETAIL | | |
|--------------|-----|------------------------|
| | QTY | DESCRIPTION |
| BODY | 2 | #10 x 3/4" F.H. S.M.S. |
| STRIKE | 2 | #8 x 3/4" F.H. S.M.S. |

DO NOT SCALE DRAWING



® www.abhmfg.com
 E-mail: abhinfo@abhmfg.com
 Architectural Builders Hardware Mfg., Inc.
 1222 Ardmore Ave., Itasca, IL 60143
 630.875.9900; FAX 800.9FAXABH (932.9224)

©2010 ABH Mfg., Inc.
 printed in USA

1893-03.DWG

1893

PAGE 1 OF 1
 REVISED 05-05-10