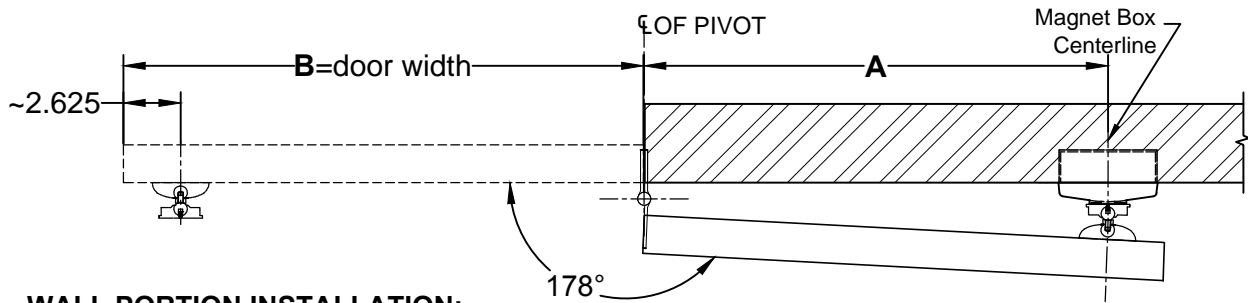


2100 ELECTROMAGNETIC DOOR HOLDER, 180°, WALL MOUNT



WALL PORTION INSTALLATION:

1. Measure distance from pivot centerline to Magnet Box centerline (Dim. "A").
2. Determine door width (Dim. "B").
3. Use table below to locate magnet box centerline on wall .
 - a. Example : Dim. "B" = 36" Result Dim. "A" = 33-5/16".
 - b. If Dim. "B" falls between dimensions listed in the table below, allow for difference.
Example : Dim. "B" = 40" Then Dim."A" = 37-5/16 ".
4. Suggested vertical location is on top rail approximately 5" from top of the door.
5. Check degree of door opening and coordinate with door closer and other door hardware.
6. Total projection of door hardware must not be more than 3-5/8" on the pull side of door.
If greater, you will need to use additional extensions, sold separately

DIM. "B" (NOM. DOOR WIDTH) - 180°							
	24"	28"	30"	32"	36"	42"	48"
DIM "A"	21-5/16"	25-5/16"	27-5/16"	29-5/16"	33-5/16"	39-5/16"	45-5/16"

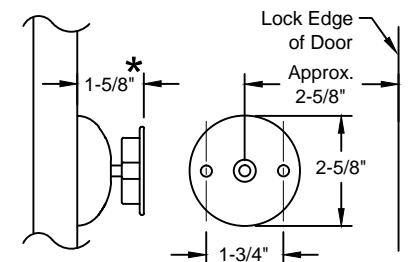
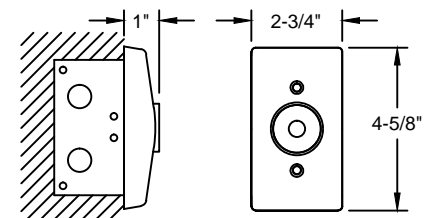
7. From centerline of pivot , measure the appropriate Dim. "A" in step 3.
8. Proper electrical wire routing must be done before installing magnet box.
9. The 4" X 2-1/8" X 2" outlet box (not provided with unit) should be installed with reinforcement to withstand a minimum 50lb. pull.

IMPORTANT : Check that power voltage equals voltage labeled on back of magnet.
Refer " ELECTRICAL DATA" on page 1.

DOOR ARMATURE INSTALLATION:

1. Place and center the door armature on the surface of the magnet with the two holes of the base aligned horizontally.
2. Gently close the door and adjust the angle of the door armature so the base lays flat against the door.
3. While keeping slight pressure on the door, mark location of door armature through the two base holes.
4. Drill through the door where the two marks are located with 5/16" drill.
Fasten with the (2)10-32 machine screws & sex bolts provided.

- NOTE:**
1. All dimensions are provided in inches, unless noted otherwise.
 2. Additional extensions can be ordered separately to increase the door armature projection : 3/8", 1/2", 3/4", 1", 2", 4" or 6".



* For 2-5/8" Door Projection, use 1" Extension provided complimentary

ABH
MANUFACTURING INC.

www.abhmfg.com
E-mail: abhinfo@abhmfg.com
Architectural Builders Hardware Mfg., Inc.
1222 Ardmore Ave., Itasca, IL 60143
630.875.9900; FAX 800.9FAXABH (932.9224)

© 2019 ABH Mfg., Inc.
printed in USA

ST-5356

ISSUED 04-11-19

ST-5356.DWG