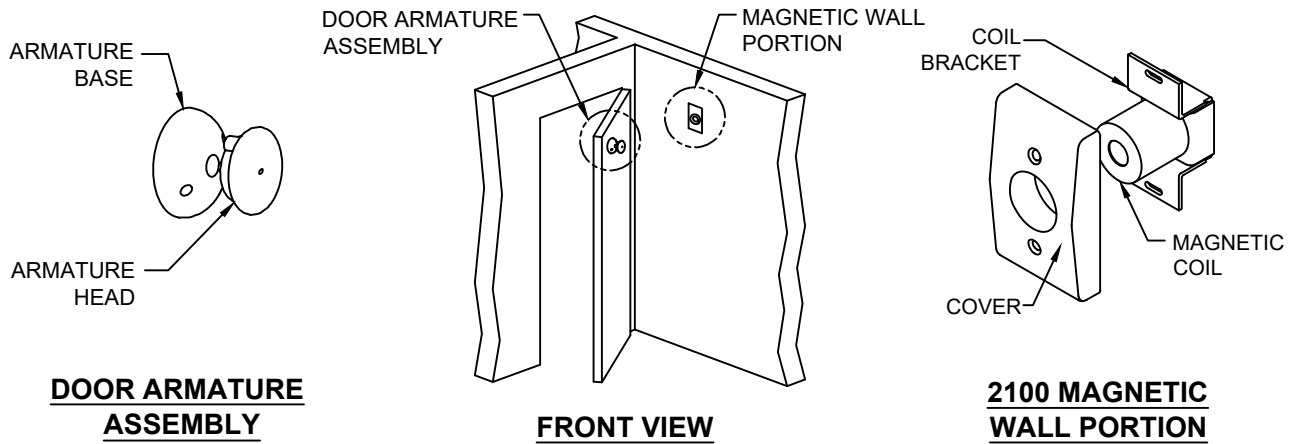


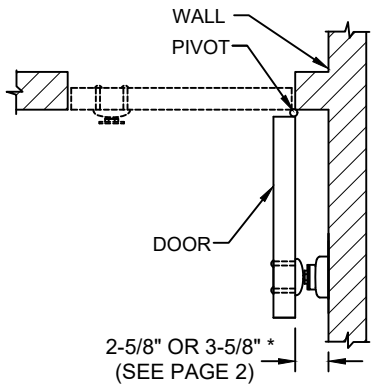
2100 ELECTROMAGNETIC DOOR HOLDER, RECESSED WALL MOUNT



DOOR ARMATURE ASSEMBLY

FRONT VIEW

2100 MAGNETIC WALL PORTION

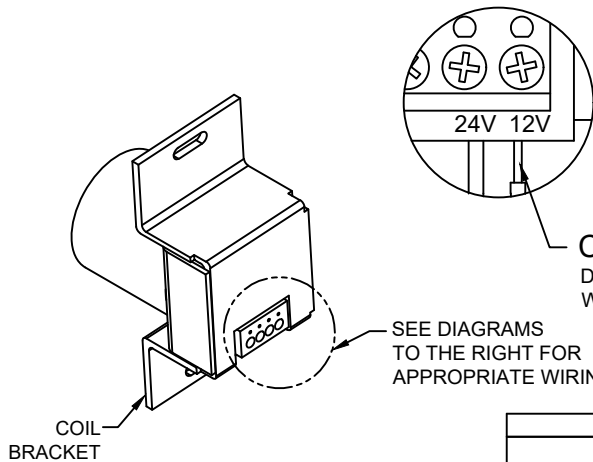


TOP VIEW

ELECTRICAL DATA:

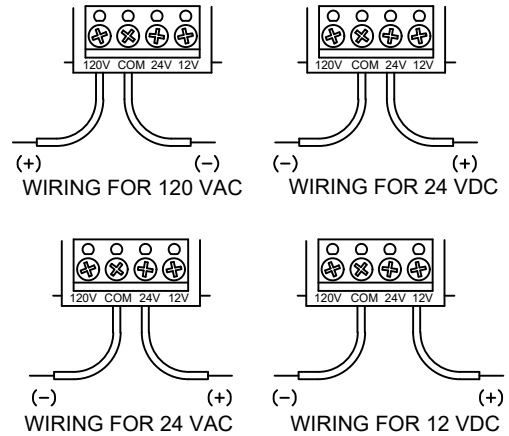
THIS PRODUCT IS AN ELECTROMAGNETIC HOLDING DEVICE, INTENDED FOR USE IN FIRE DOOR APPLICATIONS, BUT CAN BE USED FOR OTHER MAGNETIC APPLICATIONS. WIRE INTO PROPER TERMINALS AS NOTED BELOW:

SERIES	VOLTAGE	DC/mA	DC/VA	AC/mA	AC/VA	TERMINALS
2100	12 DC	60	.72			Com & 12 v
	24 AC/DC	30	.72	30	.72	Com & 24 v
	120 AC			30	3.60	Com & 120 v



CAUTION:
DO NOT LEAVE WIRE EXPOSED

SEE DIAGRAMS TO THE RIGHT FOR APPROPRIATE WIRING



SCREW DETAIL		
	QTY	SCREW
MAGNETIC WALL PORTION	2	6-32 x 1" OVAL HEAD MACHINE SCREW
DOOR ARMATURE	2	10-32 x 1" PAN HEAD MACHINE SCREW
		10-32 x 1-5/8" SNB



www.abhmfg.com
E-mail: abhinfo@abhmfg.com
Architectural Builders Hardware Mfg., Inc.
1222 Ardmore Ave., Itasca, IL 60143
630.875.9900; FAX 800.9FAXABH (932.9224)

ABH is a minority owned and operated manufacturing company.

©2021 ABH Mfg., Inc. printed in USA

2100-1-04.DWG

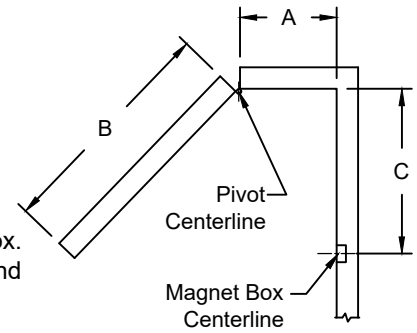
2100

PAGE 1 OF 2
REVISED 10-25-21

2100 ELECTROMAGNETIC DOOR HOLDER, RECESSED, WALL MOUNT

WALL PORTION INSTALLATION:

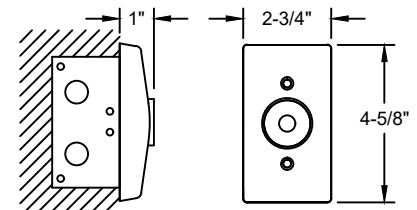
1. Measure distance from pivot centerline to wall (Dim. "A").
2. Determine door width (Dim. "B").
3. Use table below to locate magnet box on wall (Dim. "C").
 - a. Example : Dim. "A" = 10" Dim. "B" = 42" Result Dim. "C" = 38-7/8".
 - b. If Dim. "A" or Dim. "B" falls between dimensions listed in the table below, allow for difference.
Example : Dim. "A" = 7" Dim. "B" = 36" Then Dim. "C" = 33-1/8".
 - c. If Dim. "A" and Dim. "B" intersect in the shaded area, **DO NOT INSTALL** magnet box. The degree of door opening will not allow for proper alignment between armature and wall magnet.
4. Suggested vertical location is on top rail approximately 5" from top of the door.
5. Check degree of door opening shown in table and coordinate with door closer and other door hardware.
6. Total projection of door hardware must not be more than 3-5/8" on the pull side of door. If greater, you will need to use additional extensions, sold separately.



Dim. "A"	DIM. "B" (DOOR WIDTH)																							
	28		30		32		34		36		38		40		42		44		46		48			
Dim "C" Deg	Dim "C" Deg	Dim "C" Deg	Dim "C" Deg	Dim "C" Deg	Dim "C" Deg	Dim "C" Deg	Dim "C" Deg	Dim "C" Deg	Dim "C" Deg	Dim "C" Deg	Dim "C" Deg	Dim "C" Deg	Dim "C" Deg	Dim "C" Deg	Dim "C" Deg	Dim "C" Deg	Dim "C" Deg	Dim "C" Deg	Dim "C" Deg	Dim "C" Deg	Dim "C" Deg	Dim "C" Deg		
2 25-3/8 86°	27-1/8 87°	29-3/8 87°	31-3/8 87°	33-3/8 87°	35-3/8 87°	37-3/8 88°	39-3/8 88°	41-3/8 88°	43-3/8 88°	45-3/8 88°														
4 25-3/8 91°	27-3/8 91°	29-3/8 91°	31-3/8 91°	33-3/8 91°	35-3/8 91°	37-3/8 91°	39-3/8 91°	41-3/8 91°	43-3/8 90°	45-3/8 90°														
6 25-1/4 95°	27-1/4 95°	29-5/8 95°	31-1/4 94°	33-1/4 94°	35-1/4 94°	37-1/4 94°	39-1/4 93°	41-1/4 93°	43-1/4 93°	45-1/4 93°														
8 25 100°	27 99°	29 99°	31 98°	33 98°	35-1/8 97°	37-1/8 97°	39-1/8 96°	41-1/8 96°	43-1/8 96°	45-1/8 96°														
10 24-1/2 105°	26-5/8 103°	28-5/8 103°	30-3/4 102°	33 101°	34-3/4 100°	36-7/8 100°	38-7/8 99°	41 99°	43 98°	45 98°														
12 24 109°	26 108°	28-1/8 107°	30-1/4 105°	32-3/8 105°	34-3/8 104°	36-3/8 103°	38-1/2 102°	40-1/2 102°	42-1/2 101°	44-5/8 101°														
14 23-1/8 114°	24-3/8 112°	27-1/2 111°	29-5/8 109°	31-3/4 108°	33-7/8 107°	35-7/8 106°	38 105°	40 105°	42-1/8 104°	44-1/8 103°														
16 22-1/8 119°	24-3/8 117°	26-5/8 115°	28-7/8 113°	31 112°	33-1/8 110°	35-1/4 109°	37-3/8 108°	39-1/2 107°	41-5/8 107°	43-5/8 106°														
18 24-1/4 122°	25-5/8 119°	27-7/8 117°	30-1/8 116°	32-3/8 114°	34-1/2 113°	36-3/4 111°	38-3/4 110°	41 109°	43 108°															
20 26-3/4 123°	29 119°	31-3/8 118°	33-5/8 116°	35-3/4 115°	38 113°	40-1/8 112°	42-3/8 111°																	
22 27-7/8 123°	30-3/8 121°	32-1/2 119°	34-7/8 118°	37 116°	39-1/4 115°	41-1/2 114°																		
24 31-3/8 123°	33-3/4 121°	36 120°	38-1/4 118°	40-1/2 117°																				

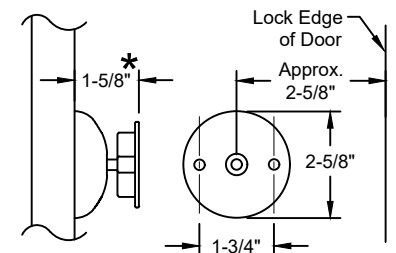
7. From corner of wall, measure the appropriate Dim. "C" determined in step 3.
8. Proper electrical wire routing must be done before installing magnet box.
9. The 4" x 2-1/8" x 2" outlet box (not provided with unit) should be installed with reinforcement to withstand a minimum 50 lb. pull.

IMPORTANT : Check that power voltage equals voltage labeled on back of magnet.
Consult " ELECTRICAL DATA" on page 1.

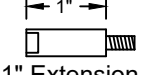


DOOR ARMATURE INSTALLATION:

1. Place and center the door armature on the surface of the magnet with the two holes of the base aligned horizontally.
2. Gently close the door and adjust the angle of the door armature so the base lays flat against the door.
3. While keeping slight pressure on the door, mark location of door armature through the two base holes.
4. Drill through the door where the two marks are located with 5/16" drill. Fasten with the (2)10-32 machine screws & sex bolts provided.



NOTE: 1. All dimensions are provided in inches, unless noted otherwise.
2. Additional extensions can be ordered separately to increase the door armature projection : 3/8", 1/2", 3/4", 1", 2", 4" or 6".

* For 2-5/8" Door Projection, use 1" Extension provided complimentary
 1" Extension



www.abhmfg.com
 E-mail: abhinfo@abhmfg.com
 Architectural Builders Hardware Mfg., Inc.
 1222 Ardmore Ave., Itasca, IL 60143
 630.875.9900; FAX 800.9FAXABH (932.9224)

ABH is a minority owned and operated manufacturing company.

2100-2-04.DWG

2100

©2021 ABH Mfg., Inc. printed in USA

PAGE 2 OF 2
 REVISED 10-25-21