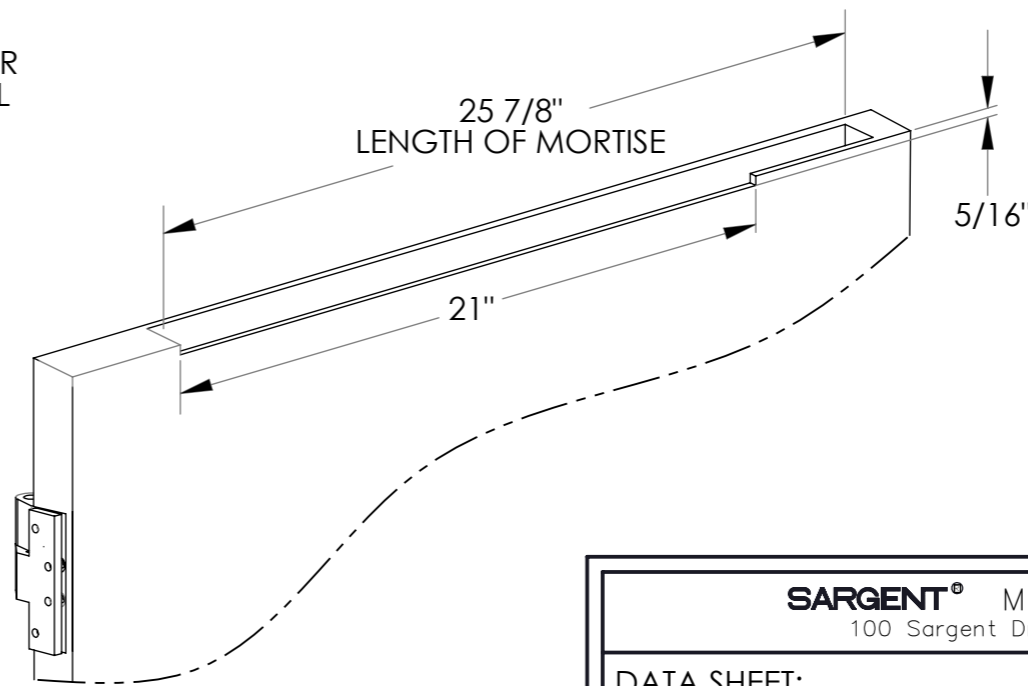
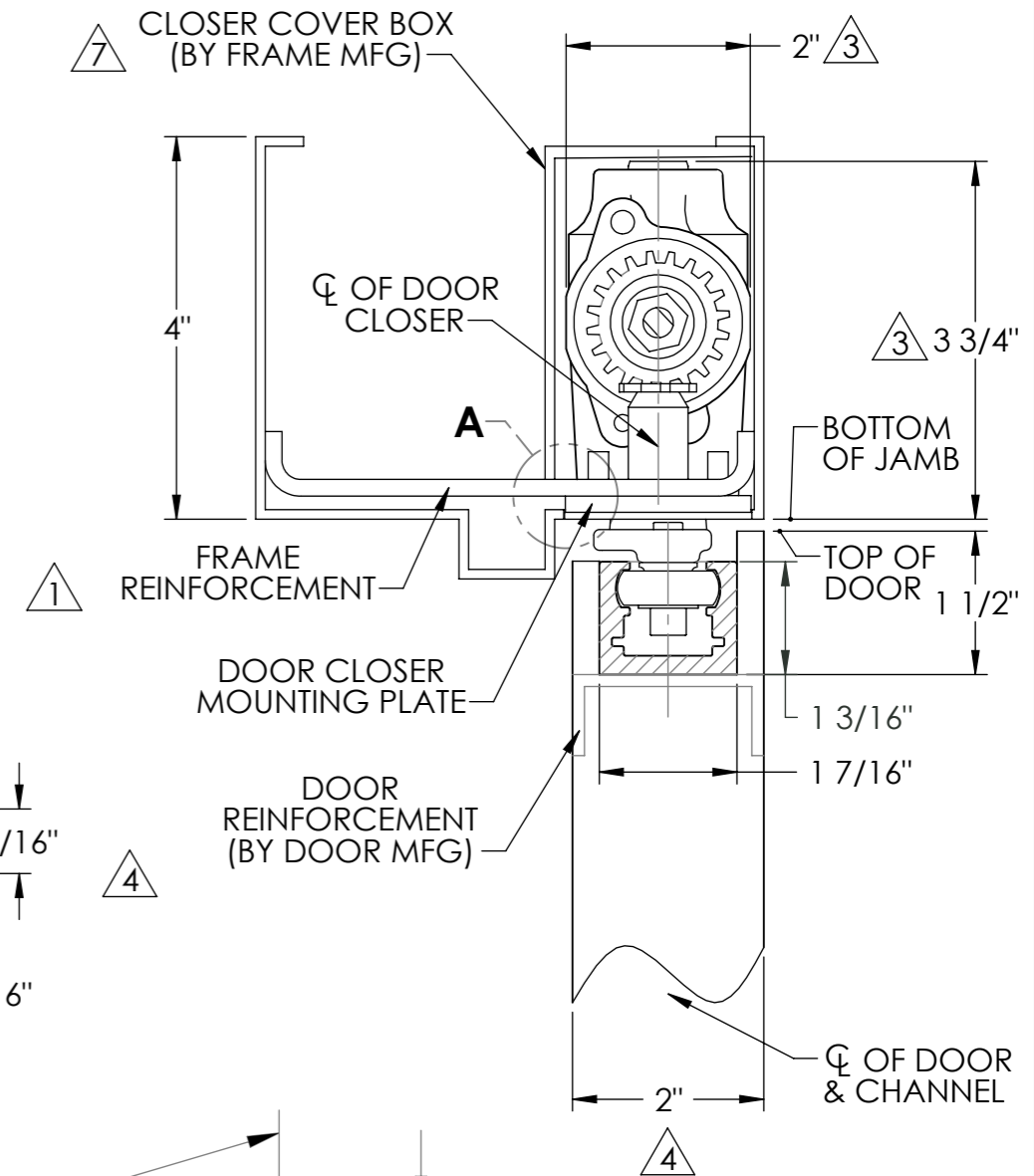
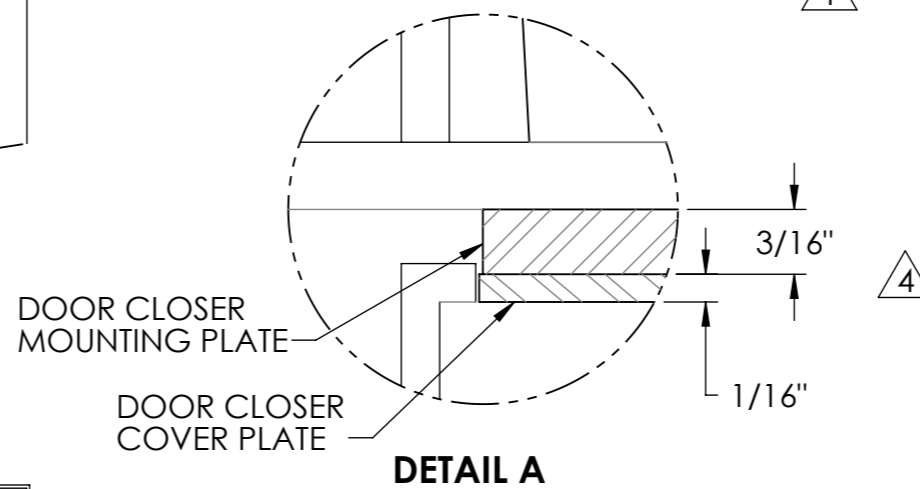


MAX DOOR OPENING ANGLE	DIMENSION "B"
110°	5"
115°	4"



- NOTES:
- 1 USE 7 GAUGE REINFORCEMENT FOR HOLLOW METAL FRAMES.
 - 2 USE 12 GAUGE REINFORCEMENT FOR HOLLOW METAL DOORS.
 - 3 MINIMUM OPENING REQUIRED FOR CLOSER BODY.
 - 4 A REMOVABLE STOP IS REQUIRED FOR DOOR WIDTHS UNDER 2" THICK, SEE TEMPLATE A7985 FOR REMOVABLE STOP FRAME DETAIL.
 - 5 MAXIMUM DEGREE OF OPENING: SEE TABLE.
 - 6 LEFT HAND DOOR AND CLOSER SHOWN, RIGHT HAND OPPOSITE.
 - 7 CLOSER COVER BOXES ON 269 CSPS & CSPD REQUIRE CONDUIT KNOCKOUTS
 - 8 AUXILIARY DOOR STOP REQUIRED.

SARGENT® Manufacturing Company
100 Sargent Drive New Haven, CT 06511

DATA SHEET:
269 CSP & CSPS/CSPD OVERHEAD
CONCEALED SECURITY CLOSER
WITH OFFSET PIVOT

RELEASE DATE
OCT 2022

TEMPLATE NO.
A7986 B