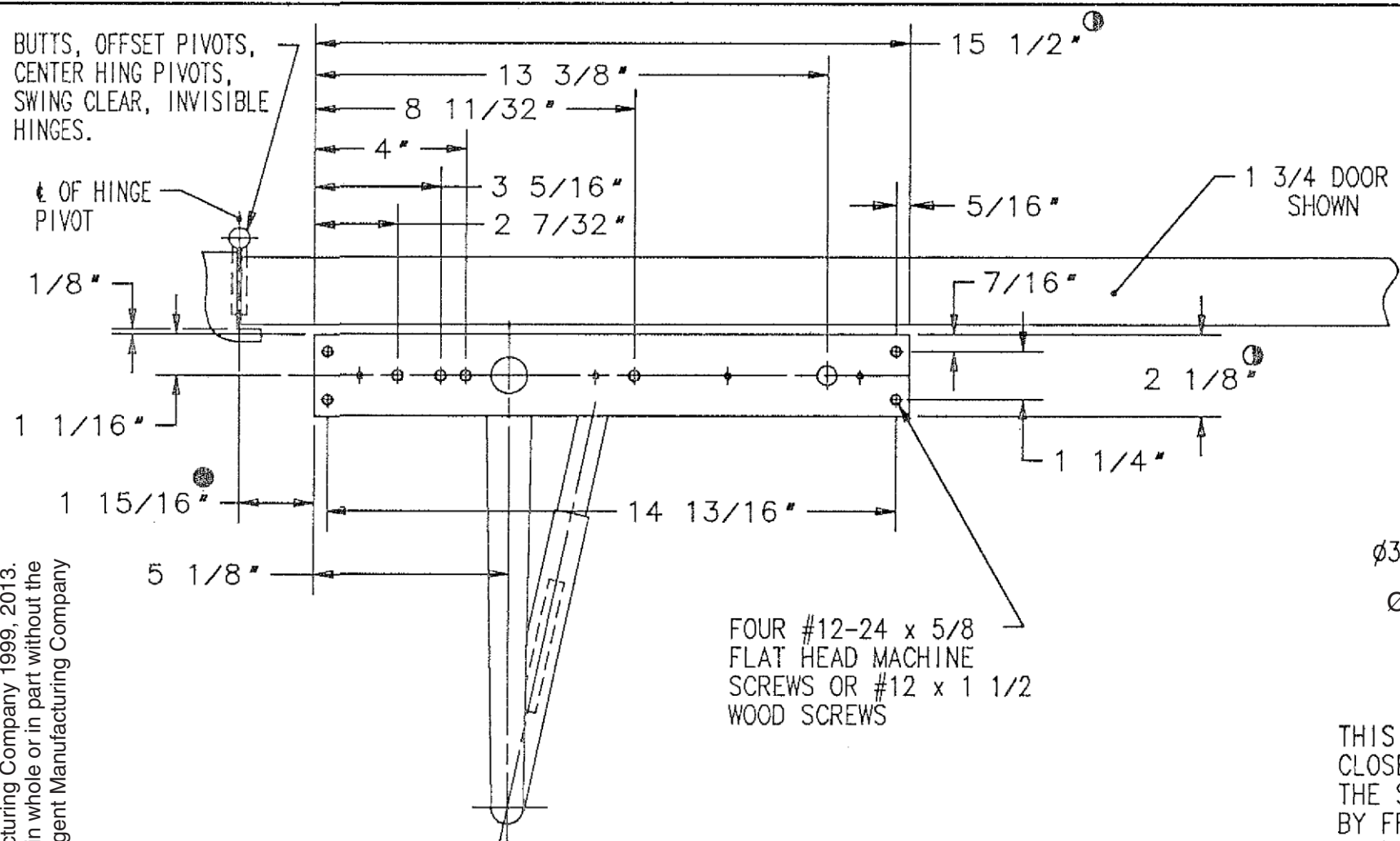
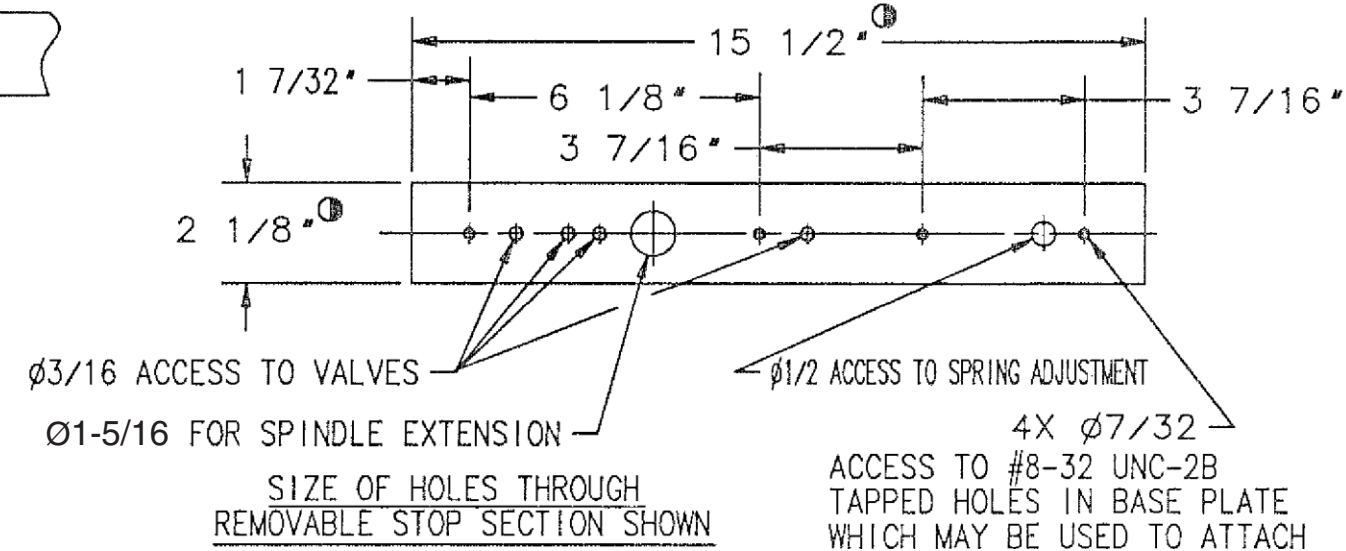


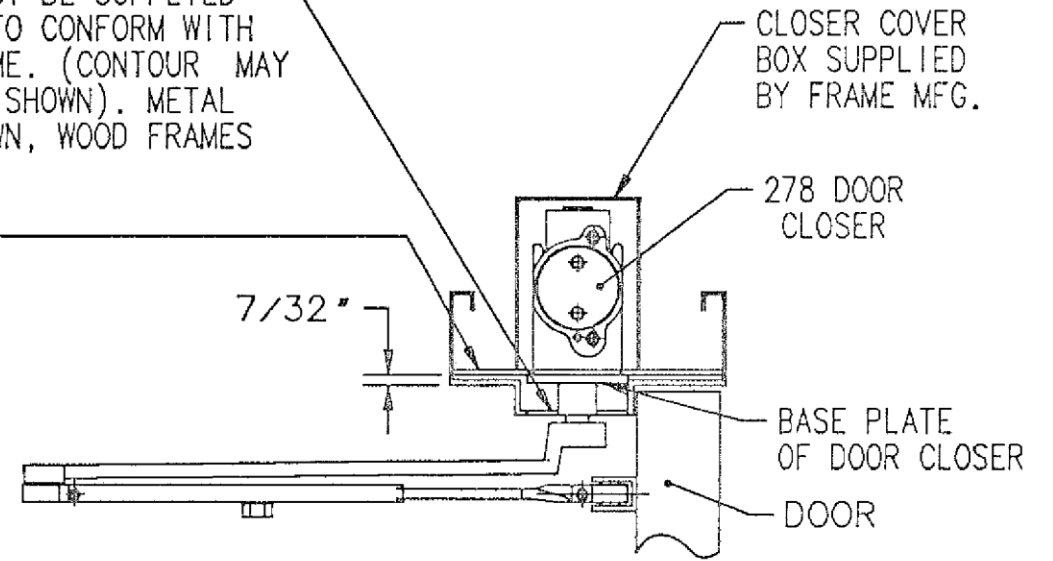
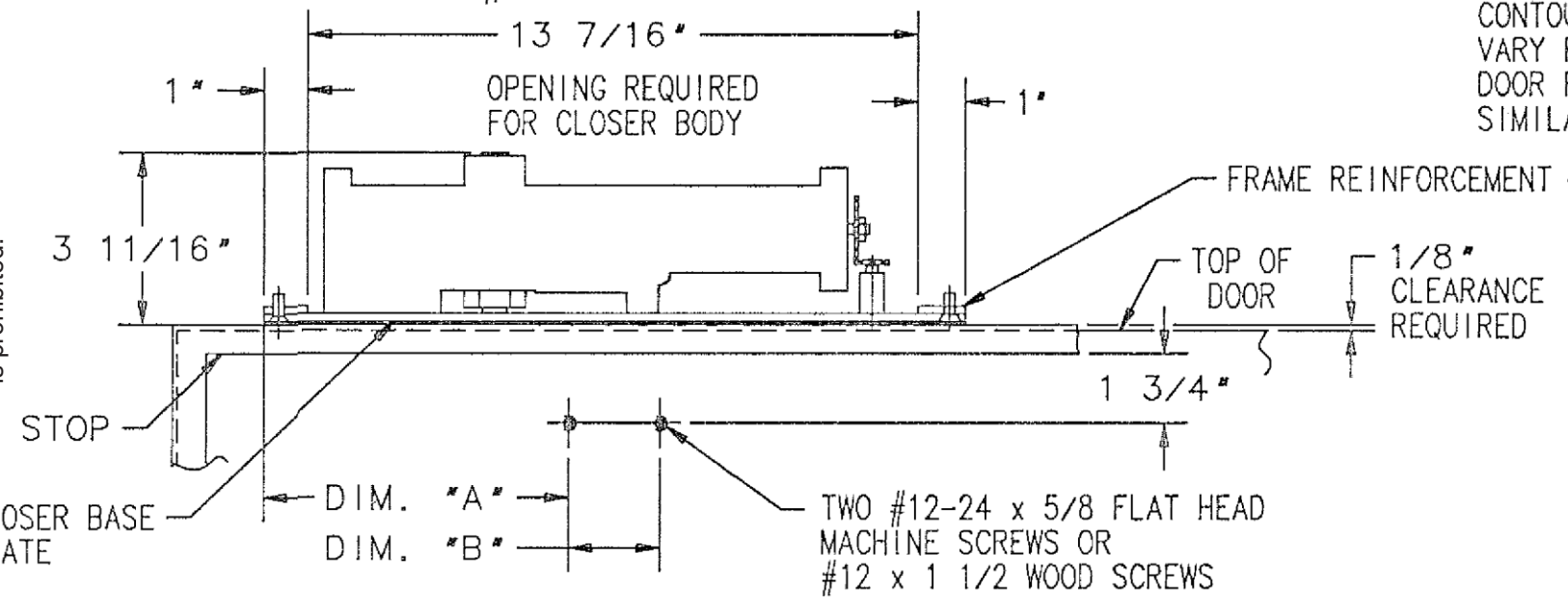
Copyright (C) SARGENT Manufacturing Company 1999, 2013.  
 All rights reserved. Reproduction in whole or in part without the  
 express written permission of Sargent Manufacturing Company  
 is prohibited.



ARM TYPE	DESCRIPTION	DIM. "A"	DIM. "B"	MAX. DOOR OPENING	RANGE OF HOLD OPEN.
"O"	REGULAR ARM	6 3/4	2	180°	80° - 130°
"F"	90° HOLD OPEN FUSIBLE LINK			140°	
"H"	90° - 180° HOLDER ARM	7 7/16	2 1/2	180°	80° - 180°



THIS SECTION OF STOP BELOW CLOSER MUST BE REMOVABLE. THE SECTION MUST BE SUPPLIED BY FRAME MFG. TO CONFORM WITH CONTOUR OF FRAME. (CONTOUR MAY VARY FROM THAT SHOWN). METAL DOOR FRAME SHOWN, WOOD FRAMES SIMILAR.



NOTE: THIS DATA SHEET COULD BE USED FOR "O" ARM WITH SARGENT 690 SERIES HOLDERS AND STOPS.

- ③ — MAXIMUM STOP THICKNESS 5/8.
- ② — REINFORCEMENTS REQUIRED FOR METAL DOORS AND FRAMES. 7 GAUGE FOR FRAME AND 12 GAUGE FOR DOOR RECOMMENDED.
- ① — LEFT HAND DOOR AND CLOSER SHOWN. RIGHT HAND OPPOSITE.
- ⑤ — SIZE OF OPENING IN FRAME TO RECEIVE DOOR CLOSER BASE PLATE.
- ④ — THIS DIMENSION IS TAKEN FROM HINGE EDGE OF DOOR FOR INVISIBLE HINGE.

**SARGENT**  
**ASSA ABLOY** ASSA ABLOY, the global leader in door opening solutions

DATA SHEET: 278 SERIES OVERHEAD CONCEALED CLOSER WITH "O", "H" AND "F" ARMS

RELEASE DATE  
**08 MAY 13**  
 TEMPLATE NO.  
**A7322C**