

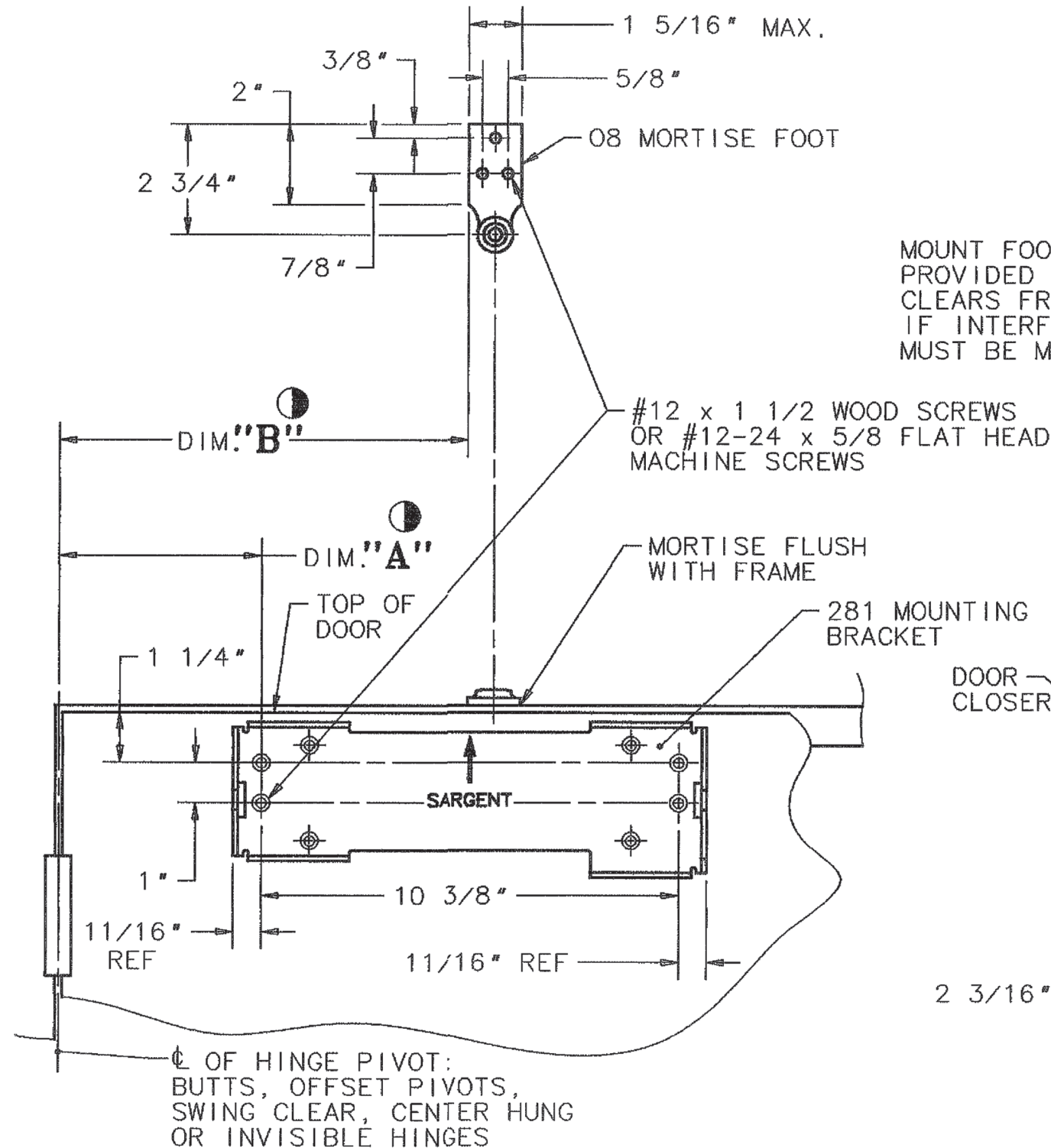
# INSTALLATION INSTRUCTIONS FOR 281 SERIES CLOSURE AND STANDARD ARMS APPLICATION

08 Type Arm Assembly Shown F8 Type Arm Similar

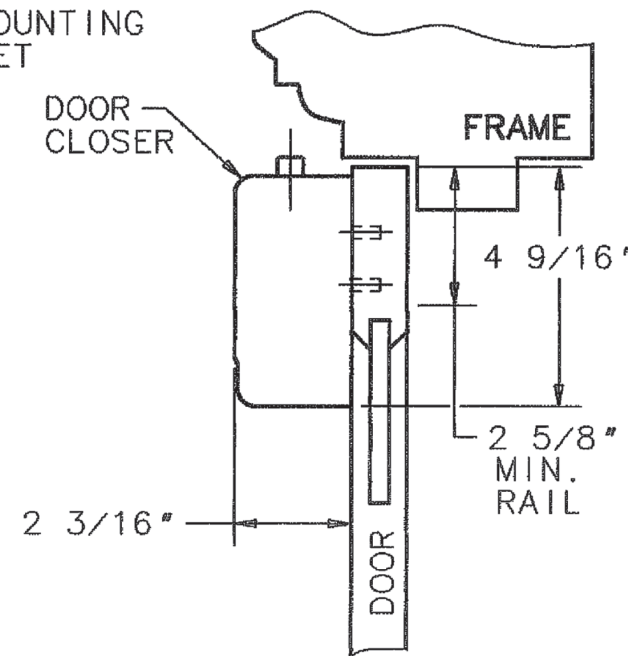
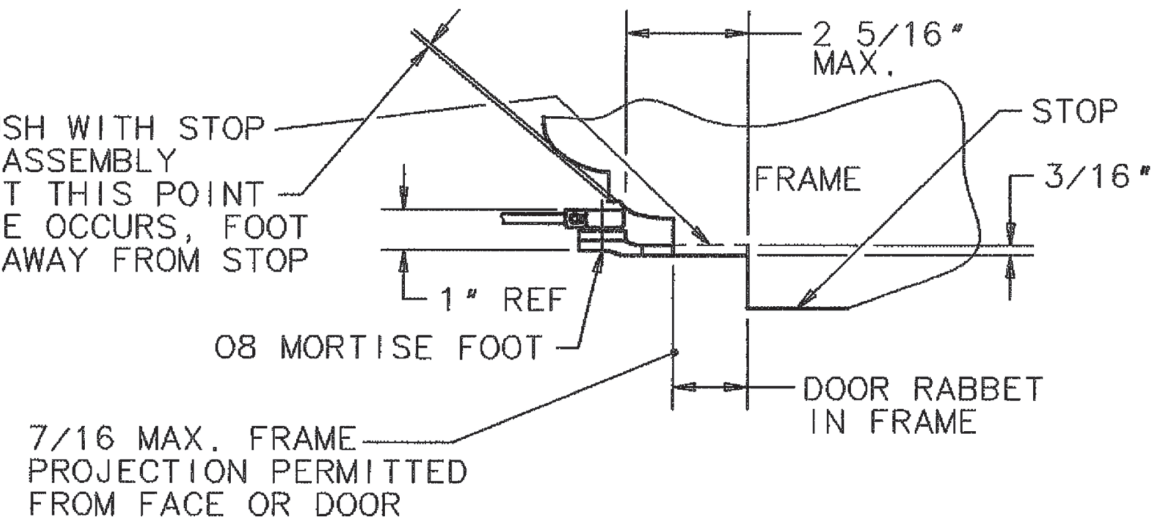
FOR INSTALLATION ASSISTANCE, CALL SARGENT AT 1-800-727-5477 • www.sargentlock.com

IMPORTANT: USE ALTERNATE MOUNTING IF DOOR CAN OPEN BEYOND LIMITS SHOWN FOR STANDARD MOUNTING

ARM TYPE	DESCRIPTION	STANDARD MOUNT			ALTERNATE MOUNT		
		DIM. A	DIM. B	MAXIMUM DOOR OPENING	DIM. A	DIM. B	MAXIMUM DOOR OPENING
08	REGULAR ARM	7"	12 5/8"	120°	5"	10 5/8"	160°
F8	90° HOLD OPEN FUSIBLE LINK			110°			135°



MOUNT FOOT FLUSH WITH STOP PROVIDED FOOT ASSEMBLY CLEARS FRAME AT THIS POINT IF INTERFERENCE OCCURS, FOOT MUST BE MOVED AWAY FROM STOP



- ④ THIS DIMENSION IS TAKEN FROM HINGE EDGE OF DOOR FOR INVISIBLE HINGES.
- ③ IF BUTT, FRAME AND WALL CONDITIONS PERMIT, CLOSER WILL ALLOW DOOR TO OPEN 180°.
- ② RIGHT HAND DOOR SHOWN. LEFT HAND DOOR OPPOSITE.
- ① 12 GAUGE MIN. REINFORCEMENT REQUIRED FOR METAL DOORS & FRAMES.