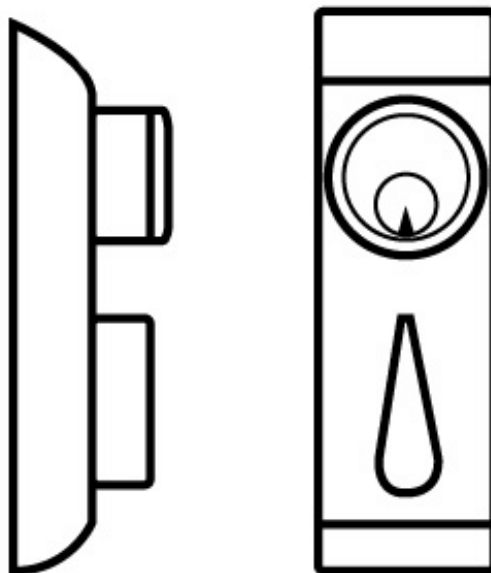


306 and 313 Auxiliary Control

Vertical Rod Exit Devices



Note

- Factory assembled for either right or left hand doors. Be sure to use correct hand to match door application.
- Improper installation may result in damage to lock and void factory warranty.
- Other product brand names may be trademarks or registered trademarks of their respective owners and are mentioned for reference only.

⚠ WARNING

This product can expose you to lead which is known to the state of California to cause cancer and birth defects or other reproductive harm. For more information go to www.P65warnings.ca.gov.

TOC	Table of Contents
1	Description.....2
2	Operation
3	Installation
a	Break Off Points
b	Method for Removing and Replacing Cylinder

1 Description

•SARGENT Model 306 and 313 Auxiliary Controls work with Sargent 8700 and 9700 Surface Vertical Rod Exit Devices. The 300 Series Auxiliary controls enable two functions:

306: Key unlocks turn; Turn retracts latch / Turn relocks when key is removed

313: Key locks / Unlocks turn

2 Operation

- The 306 Auxiliary Control is operative only when the key is in the cylinder and turned.
- The 313 Auxiliary Control can be made operative inoperative by turning the key.

See 3b for cylinder replacement information.

3 Installation Instructions

1. Using the exit device instructions, prepare the door for the exit device.
2. Prepare the door for the Auxiliary Control (Fig. 1).
3. Slide top rod into lever assembly and position lever as indicated (Fig. 1). Adjust top rod according to exit device instructions.
4. Mount Auxiliary Control to door using two through screws provided.
5. Set lever on top rod so that thumb turn retracts top and bottom rod; then tighten set screws securely.

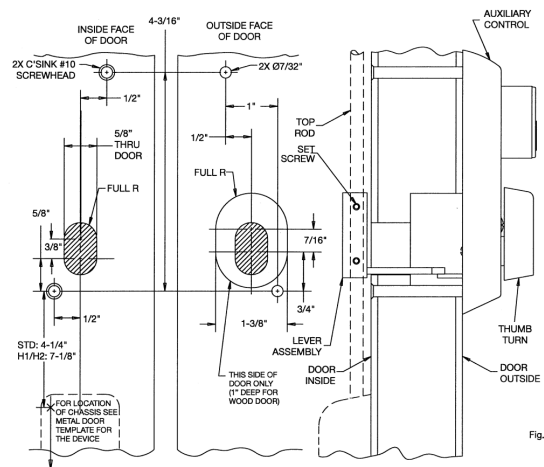


Fig. 1

a Break Off Points

1. Used for Sargent 306 function.
2. Used for 51-06 function with 82- and 83- cylinders prefix (old style removeable core).
3. Used for Sargent 313 function with all cylinders.
4. Use as is for 70-306; 72-306 Best cylinder functions. Schlage Cylinder size #41.

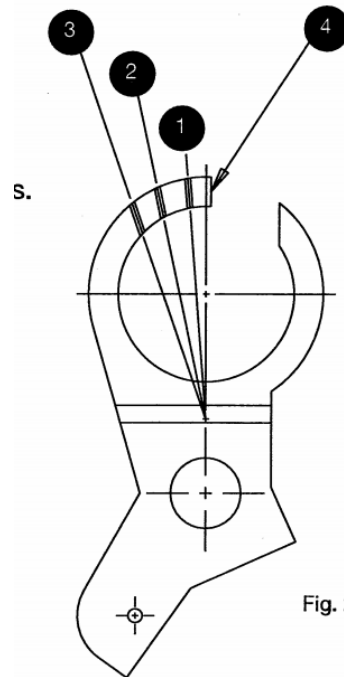


Fig. 2

b Method for Removing and Replacing Cylinder

1. Unscrew retainer screw. Remove retainer and locking lever (Fig. 3).
2. Unscrew cylinder nut, remove blocking ring and cylinder.
3. Replace cylinder by revering preceding procedures. Ensure that the cylinder cam faces up and that the locking lever spring engages locking lever at point "X".

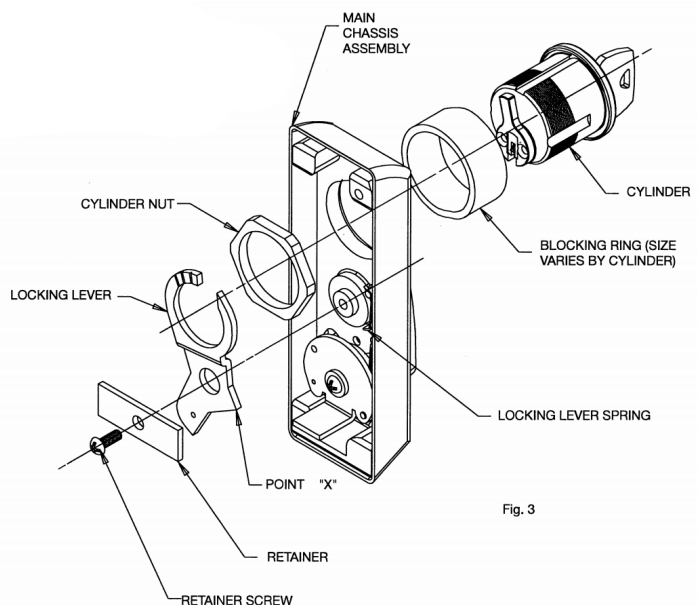


Fig. 3

The ASSA ABLOY Group is the global leader in access solutions. Every day, we help billions of people experience a more open world.

ASSA ABLOY Opening Solutions leads the development within door openings and products for access solutions in homes, businesses and institutions. Our offering includes doors, frames, door and window hardware, locks, perimeter fencing, access control and service.

SARGENT[®]
ASSA ABLOY

SARGENT Manufacturing Company
100 Sargent Drive
New Haven, CT 06511 USA
800-727-5477
www.sargentlock.com