



3100 SERIES

Light Commercial Closer
Grade 1

3100
Without Cover



3100
w/ Optional
Streamline Cover



Spring Cushion Stop

SPECIFICATIONS

- HANDING:** • Non-handed
- OPERATION:** • Rack and pinion design
- BODY:** • High strength aluminum alloy
- BODY DIMENSIONS:** • 9-13/16" W x 2-11/16" H
- ARM:** • Round style arm assembly
- ARM OPTIONS:** • Hold Open Arm
• Track/Hold Open Arm
• EDA (Extra Duty PA Arm). See How to Order Guide.
• DS/DSHO heavy duty parallel stop arm
• Spring Cushion Stop for DS/DSHO
- FACTORY DEFAULT SPRING SIZE, 1-4:** • Size 2
- PISTON:** • Hardened Steel
- FACTORY DEFAULT SPRING SIZE, 3-6:** • Size 3
- PISTON:** • Hardened Steel
- ADJUSTMENT:** • Adjustable controlled closing
• Separate hydraulic backcheck standard
• Separate sweep, latch and backcheck intensity valves
- SIZE:** • Adjustable spring size (BARRIER[™] BF - 4 or 3 - 6 (see size selector table)
• Available to meet barrier free opening force requirements
- MOUNTING:** • Common 9-1/16" x 3/4" mounting hole pattern retrofits Yale[®] 50, Norton[®] 1600 (For more comparisons, see cross reference table)
• Tri-packed for regular, top jamb and parallel arm installations
• Includes fasteners for metal and wood doors
• Sex nuts and bolts standard
• Self drilling self tapping screws available
• Streamline plastic cover optional
- COVER:** • 10-5/8" W x 2-1/16" H
- COVER DIMENSIONS:** • 689 - Aluminum, 695 - Duro bronze, 696 - Gold
- FINISHES CLOSERS:** • 689 - Aluminum, 695 - Duro bronze, 696 - Gold
- FINISHES CUSHION STOPS:** • 605 (US3) - Bright Brass (PVD), 613 (US10B) - Oil Rubbed Bronze (PVD), 630 (US32D) - Satin Stainless Steel Note: PVD (Physical Vapor Deposition) coated finishes offer outstanding resistance to wear, durability and corrosion.
- CERTIFICATIONS, LISTINGS, COMPLIANCES:** • UL 228 listed
• ANSI/UL 10C listed for labeled swinging fire doors rated for up to and including 3 hours.
• Certified to ANSI/BHMA A156.4-2006 Grade 1
• Meets requirements of the Buy American Act
• Complies with ADA (Americans with Disabilities Act) and ICC/ANSI 117.1 for Accessible and Usable Buildings
- WARRANTY:** • Twenty-Five (25) year limited warranty



SPRING CUSHION STOPS



PDQ's SCS Series Spring Cushion Stop helps reduce wear and tear on the opening. As the door begins moving through backcheck to its maximum opening angle, the stop acts as a shock absorber, dampening the impact forces.



NOTE: PLUNGER SHOWN IN RED TO ENHANCE THE CUSHIONING FEATURE.



STOP SHOWN BEFORE DOOR IS FULLY OPENED



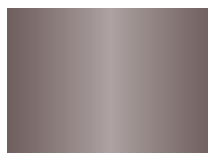
STOP SHOWN WHEN DOOR IS FULLY OPENED

FINISHES

ARCHITECTURAL



605 (US3)
Bright Brass



613 (US10B)
Oil Rubbed
Bronze



630 (US32D)
Satin Stainless
Steel

PAINTED



689 (US28)
Aluminum



695 (N/A)
Dark Duranodic
Bronze



696 (US4))
Satin Brass
(Gold)

Finishes shown are representative only. PDQ cannot guarantee that product shipped will match finishes shown. Not all products are available in all finishes listed.


FEATURES

- 5lb. Barrier Free Spring Setting for ADA Compliance
- 6 Additional Spring Settings that Provide 17% More Adjustment Capability to Find that Sweet Spot for Optimal Door Closing Action.
- Barrier Free Settings Available on Both Regular/ Top Jamb and Parallel Arm Applications.

TYPICAL APPLICATIONS

- Hospitality
- Multi-Family



HOW TO ORDER

SERIES		APPLICATION		FINISH	
31 - 3100 Series Door Closer		BC - Adjustable Hydraulic Backcheck (Standard)		689 - Aluminum 695 - Dark Duranodic Bronze 696 - Gold	
31	00	BC	PA	689	—
00 - Adjustable Size 3-6 01 - Adjustable Size  (BF -4)		DS - Door Saver Arm ¹ DSHO - Door Saver Hold Open Arm ² HO - Hold Open, Tri-Pack ² PA - Tri-Pack (standard) SCS - Spring Cushion Stop SV - Streamline Cover TA - Track Arm ² TAHO - Track Arm Hold Open ²		Blank - SNB (standard) BP - Back Plate DP - Drop Plate NFB - Narrow Frame Bracket SCS - Spring Cushion Stop SDST - Self Drilling Self Tapping Screws BS - Blade Stop Spacer SV - Streamline Plastic Cover	
SIZE		BACKCHECK		OPTIONS	

Ordering Example: 3100 BCPA 689

NOTES: 1 - For EDA (Extra Duty PA Arm) applications, remove stop from soffit bracket. Requires separate limiting stop by others. 2 - Not appropriate for use on fire labeled doors.

SIZE SELECTOR

APPLICATION	CLOSER SIZE	INTERIOR	EXTERIOR
Regular / Top Jamb	3101  3100	5 lbf (36" door)	NA
		32"	28"
		36"	32"
		42"	36"
		48"	42"
		54"	48"
		58"	54"
Parallel Arm	3101  3100	5 lbf (36" door)	NA
		28"	NA
		32"	28"
		36"	32"
		42"	36"
		48"	42"
		54"	48"

Note: 3100 Series Closers can be adjusted to meet ADA barrier free applications. Strict compliance with ADA barrier free requirements may result with door not fully closing and latching. Check with local AHJ. Closer sizes may vary due to site conditions.

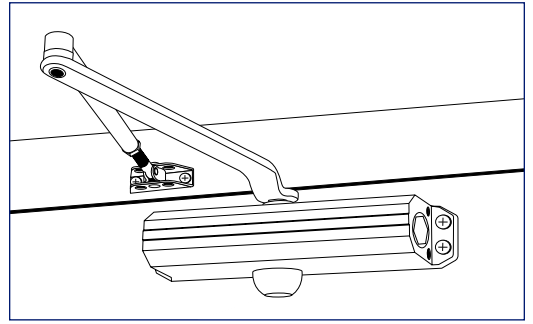
CROSS REFERENCE

MANUFACTURER	PDQ	CAL ROYAL®	CORBIN/RUSSWIN®	DORMA	DOR-O-MATIC®	HAGER®	K2®	LCN®	NORTON/YALE®	SARGENT®	STANLEY®	YALE
SERIES	3100	300	N/A	3800	SC60	5300 LESS COVER	ODC300	1260	1600/50	1130	D-1650	50
MOUNTING HOLE PATTERN RETRO-FIT	YES	YES	NO	NO	YES	NO	YES	YES	YES	YES	YES	YES

Information on this sheet is compiled from public documents and third parties. As a result, PDQ makes no guarantees as to their accuracy, content, quality or availability. Comparisons were made using the technical features only and are not commercial comparisons. Final suitability should be determined by a professional architectural hardware consultant.

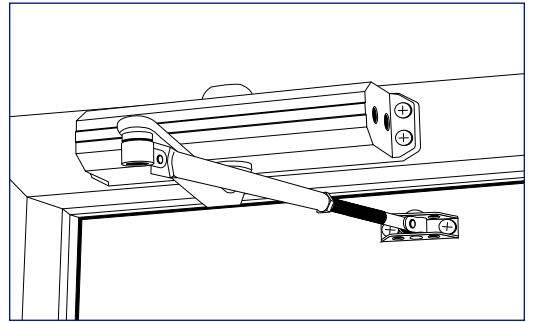
REGULAR ARM

Regular arm mount is a pull side application with double lever arm. The closer mounts on the door and the arm mounts to the frame. It provides the most efficient operation for a door control and is commonly used on in-swing doors from corridors or other interior doors. Regular arm mount is a poor choice for exterior out-swinging doors as it would put the closer on the exterior of the building. The arm assembly projects directly out from the frame. That may be a concern for vandalism or aesthetics. Regular arm application can be used with non-hold open or hold open arms.



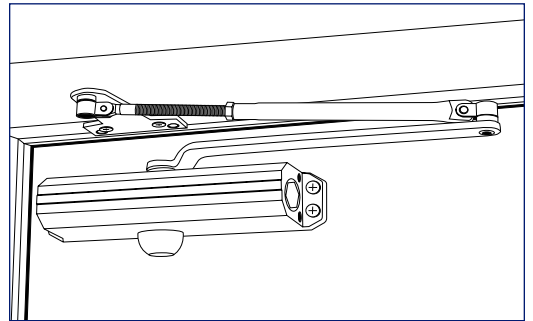
TOP JAMB

Top jamb mount is a push side double lever arm application that offers the best alternative to regular arm mount. The closer mounts to the frame and the arm mounts to the door. This application is commonly used on exterior out-swinging doors. It is a poor application for in-swinging doors from a corridor as it places the closer arm in a visible application projecting into the corridor. The arm projects out similar to regular arm mount. Therefore, it can be a concern for vandalism or aesthetics. Top jamb application can be used with non-hold open or hold open arms.



PARALLEL ARM

Parallel arm mount is a push side double lever arm application. The closer is installed on the push side of the door and the arm is mounted to a parallel arm adapter plate installed to the frame soffit. The arm is approximately parallel with the face of the door, eliminating the projection condition evident with regular arm and top jamb applications. Parallel arm is often preferred where aesthetics or vandalism are concerns. Parallel arm is less efficient than regular or top jamb mounts due to the geometry of the arm. Parallel arm application can be used with non-hold open or hold open arms.

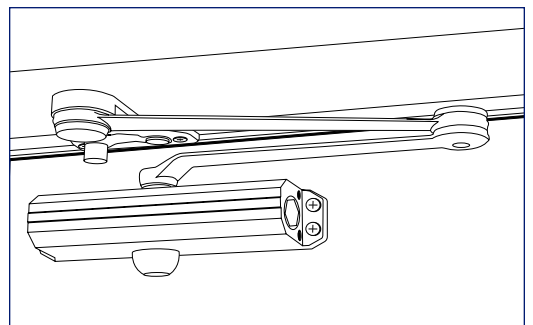


PARALLEL ARM (DS/DSHO) STOP ARM

The parallel stop arm mount is an enhanced version of the parallel arm application. It is similar to the parallel arm mount but incorporates a heavy duty rigid arm and soffit plate with limiting dead stop. The dead stop feature is field handed. The closer's backcheck function should be adjusted to cushion the impact of the stop. The parallel stop arm is intended for use where an auxiliary stop cannot be utilized. The parallel stop arm is available in non-hold open (DS) and hold open (DSHO) applications. For EDA (Extra Duty PA Arm) applications, remove stop from soffit bracket. Requires separate limiting stop by others.

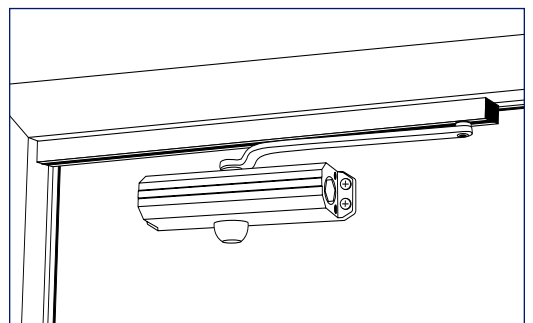


Recommend using the SCS Spring Cushion Stop for moderate to high abuse installations.

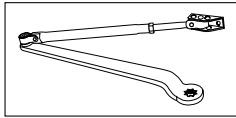


TRACK ARM (TA)

The Non Handed Track arm mount incorporates a single forged main arm for installation in high use, high abuse door applications. It's low profile helps prevent damage.

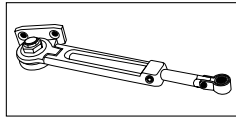


PARTS



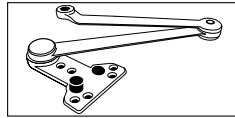
RA - REGULAR ARM — Can be mounted REG/TJ/PA (requires PA bracket)

PART NO.: 319003



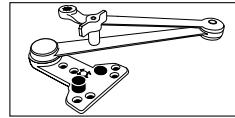
HO - HOLD OPEN ARM - HO — Can be mounted REG/TJ/PA (requires PA bracket)

PART NO.: 999002



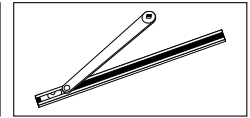
DS - DOOR SAVER (LIMITING STOP) ARM — PA application only

PART NO.: 999005



DSHO - DOOR SAVER (LIMITING STOP) HOLD OPEN — PA application only

PART NO.: 999016

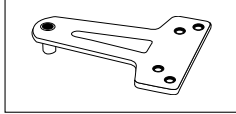


TA - TRACK ARM ASSEMBLY

PART NO.: 999025

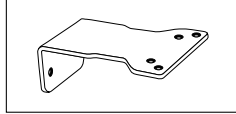
TAHO - TRACK ARM HOLD OPEN

PART NO.: 999027



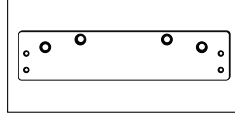
PA - PARALLEL ARM BRACKET — Non-hold open applications

PART NO.: 999001



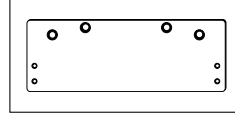
PAHO - PARALLEL ARM HO BRACKET — Hold open applications

PART NO.: 999022



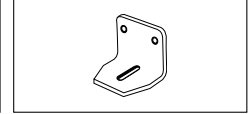
BP - BACK PLATE — For regular arm applications to clear mortised stop/holders or for TJ with limited ceiling clearance

PART NO.: 319008



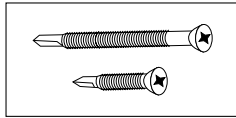
DPTJ - TOP JAMB DROP PLATE — Provides greater drop than BP to provide clearance for surface applied stop/holder, also required for PA applications

PART NO.: 319009



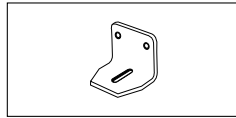
NFB - NARROW FRAME BRACKET — For use w/DS/DSHO/SCS arms & BS spacer for added reinforcement with narrow frame applications

PART NO.: 999011



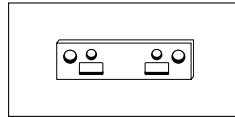
SDST - SELF DRILLING SELF TAPPING SCREWS

PART NO.: 999007



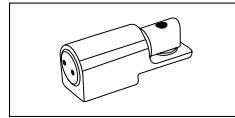
SNB - SEX NUTS AND BOLTS — For through bolting on unreinforced, hollow core, composite or labeled fire doors, 1-3/4" only

PART NO.: 999004



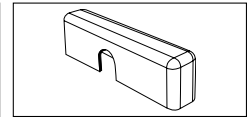
BS - BLADE STOP SPACER — Shims all PA brackets to clear 1/2" blade stop

PART NO.: 999026



SCS - SPRING CUSHION STOP — For use w/DS/DSHO (PA mount) arms only

PART NO.: 999032
SCS-1 PART NO.: 999032
SCS-2 PART NO.: 999033



SV - STREAMLINE PLASTIC COVER

PART NO.: 319006

ANSI FUNCTIONS TO PDQ MODELS

			ANSI FUNCTIONS					
ANSI NUMBER	MOUNTING	PDQ MODEL	PT-4A	PT-4C	PT-4D	PT-4E	PT-4G	PT-4H
CO2011	HINGE SIDE	3100BCPA	X	X	X	X		X
		3101BCPA	X	X	X	X		X
CO2021	PARALLEL	3100BCDS	X	X	X	X	X	X
		3100BCPA	X	X	X	X		X
		3101BCDS	X	X	X	X	X	X
CO2041	TOP JAMB	3101BCPA	X	X	X	X		X
		3100BCPA	X	X	X	X		X
CO2051	HINGE SIDE HOLD OPEN	3100BCHO	X	X	X	X		X
		3101BCHO	X	X	X	X		X
CO2061	PARALLEL HOLD OPEN	3100BCDSHO	X	X	X	X	X	X
		3100BCHO	X	X	X	X		X
		3101BCDSHO	X	X	X	X	X	X
CO2081	TOP JAMB HOLD OPEN	3101BCHO	X	X	X	X		X
		3100BCHO	X	X	X	X		X
CO2211	HINGE SIDE TRACK	3100BCTA	X	X	X	X		X
		3101BCTA	X	X	X	X		X
CO2221	HINGE SIDE HOLD OPEN TRACK	3100BCTAHO	X	X	X	X		X
		3101BCTAHO	X	X	X	X		X
CO3011	HINGE SIDE	3100BCPA	X	X	X	X		X
		3101BCPA	X	X	X	X		X
CO3021	PARALLEL	3100BCPA	X	X	X	X		X
		3101BCDS	X	X	X	X	X	X
		3101BCPA	X	X	X	X		X
CO3041	TOP JAMB	3100BCPA	X	X	X	X		X
		3101BCPA	X	X	X	X		X
CO3051	HINGE SIDE HOLD OPEN	3100BCHO	X	X	X	X		X
		3101BCHO	X	X	X	X		X
CO3061	PARALLEL HOLD OPEN	3100BCHO	X	X	X	X		X
		3101BCDSHO	X	X	X	X	X	X
		3101BCHO	X	X	X	X		X
CO3081	TOP JAMB HOLD OPEN	3100BCHO	X	X	X	X		X
		3101BCHO	X	X	X	X		X
CO3211	Track Arm	3100BCTA	X	X	X	X		X
		3101BCTA	X	X	X	X		X
		3100BCTAHO	X	X	X	X		X
		3101BCTAHO	X	X	X	X		X

SUGGESTED ARCHITECTURAL SPECIFICATIONS

All door closers shall be full rack and pinion construction, cast aluminum closer body, round style arm assembly and optional streamline cover. Hydraulic control shall be through separate noncritical sweep, latch and backcheck valve adjustment. Closers shall be non-handed, suitable for regular, top jamb and parallel arm applications with fasteners for wood and metal doors and frames. Sex nuts and bolts shall be furnished standard. Closers shall be available in adjustable spring size Barrier Free plus sizes 1-4 or 3-6. Closers shall be UL 10C listed and certified to ANSI/BHMA A156.4-2006 Grade 1. Barrier Free plus sizes 1-4 meets ADA requirements when used on a 36" door.



SECURING
CONFIDENCE
OPENING
POSSIBILITIES

Phone: 800.441.9692

Tech Support: 833.2.PDQTEC (833.273.7832)

FAX: 717.656.6892 | Email: help@pdqlocks.com

Headquarters: 2230 Embassy Drive, Lancaster, PA 17603

**Regional Distribution Centers: Lancaster, PA | Kansas City, MO
Henderson, NV | Auburn, WA**

Design Office: Milan, Italy

pdqlocks.com