

3100/3101 DOOR CLOSER MODELS

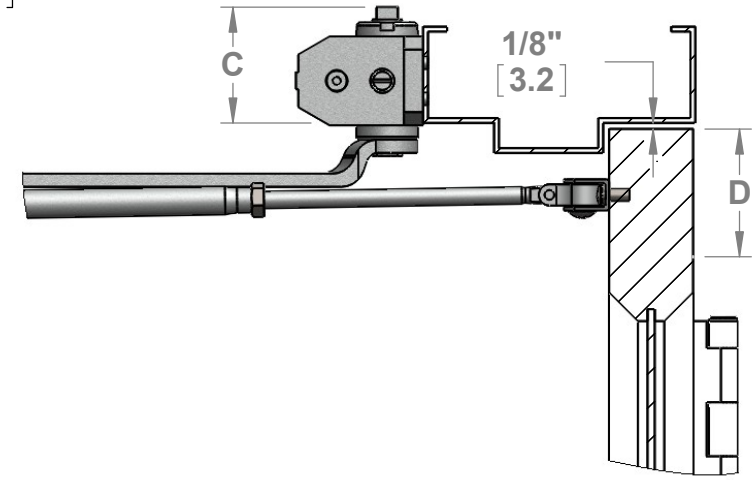
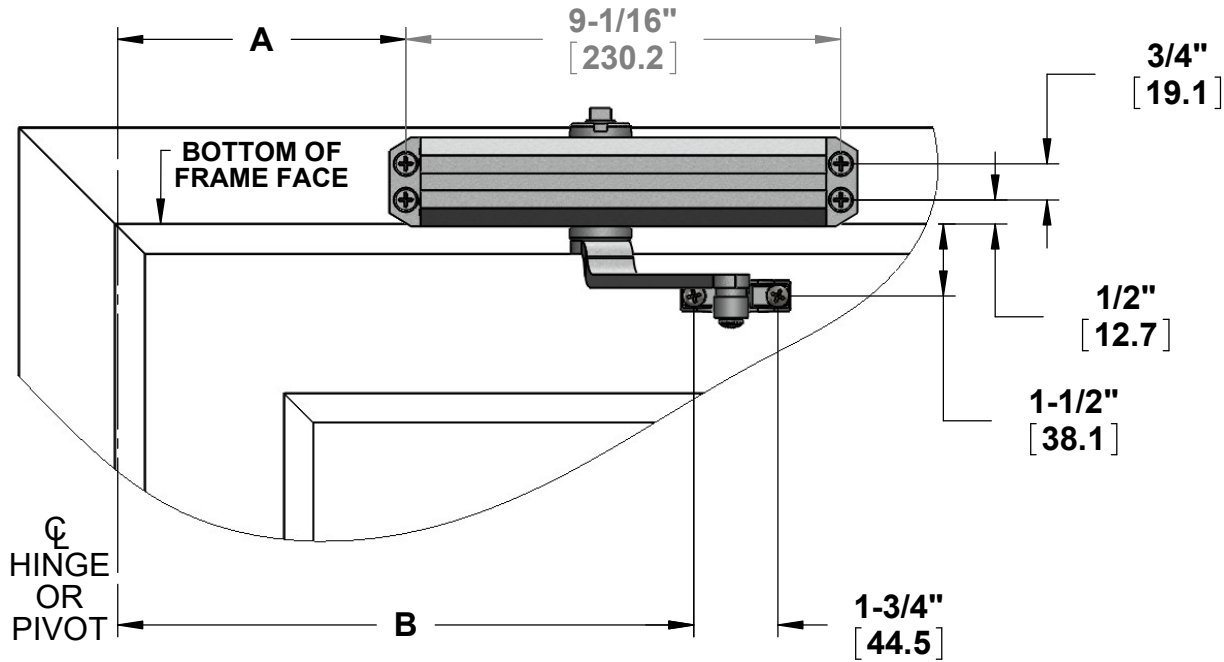
REGULAR ARM TOP JAMB INSTALLATION - PUSH SIDE
NON-HOLD OPEN AND HOLD OPEN APPLICATIONS

TEMPLATE: 319302,
REV. 1 08-21-18

Opening	Dim. A	Dim. B
To 100°	7-1/2" [190.5]	13-1/2" [342.9]
101° To 120°	6" [152.4]	12" [304.8]
121° To 180°	3-1/2" [88.9]	9-1/2" [241.3]

Dim. C	
MIN. FRAME FACE TO MOUNT CLOSER	1-3/4" [44.5]
MIN. CEILING CLEARANCE TO END OF DUST CAP	2-1/2" [63.5]
MIN. CEILING TO (OPTIONAL) STREAMLINE COVER AND INSERT	2-5/8" [66.7]

Dim. D.	
MIN. RAIL TO MOUNT NHO ARM	1-7/8" [47.6]
MIN. RAIL TO MOUNT HO ARM	2-1/8" [54]



NOTES:

1. DRAWING IS NOT TO SCALE.
2. LEFT HAND DOOR SHOWN. FOR RIGHT HAND DOOR REVERSE IMAGE.
3. DIMENSIONS BASED ON 4-1/2" X 4-1/2" BUTT HINGES.
4. DOOR SWING MAY BE ALTERED DUE TO OTHER LIMITING CONDITIONS.
5. CAUTION: SEX NUTS MAY BE REQUIRED FOR UNREINFORCED DOORS OR COMPOSITE FIRE DOORS. CONSULT MANUFACTURER'S RECOMMENDATIONS.
6. HOLD OPEN ARMS CAN NOT BE USED ON LABELED FIRE DOORS.
7. ALWAYS CHECK PDQ WEB SITE FOR THE MOST RECENT REVISION AT WWW.PDQLOCKS.COM.

MACHINE SCREWS: USE #7 OR 13/64" [5.11] DRILL AND 1/4-20 TAP
WOOD DOOR / FRAME SCREWS: USE 5/32" [4] DRILL
SEX NUTS: USE 3/8" [9.53] DRILL (FOOT TO DOOR)



PDQ Manufacturing
2230 Embassy Dr.
Lancaster, PA 17603
833-273-7832
833-2 PDQTECH
www.pdqlocks.com