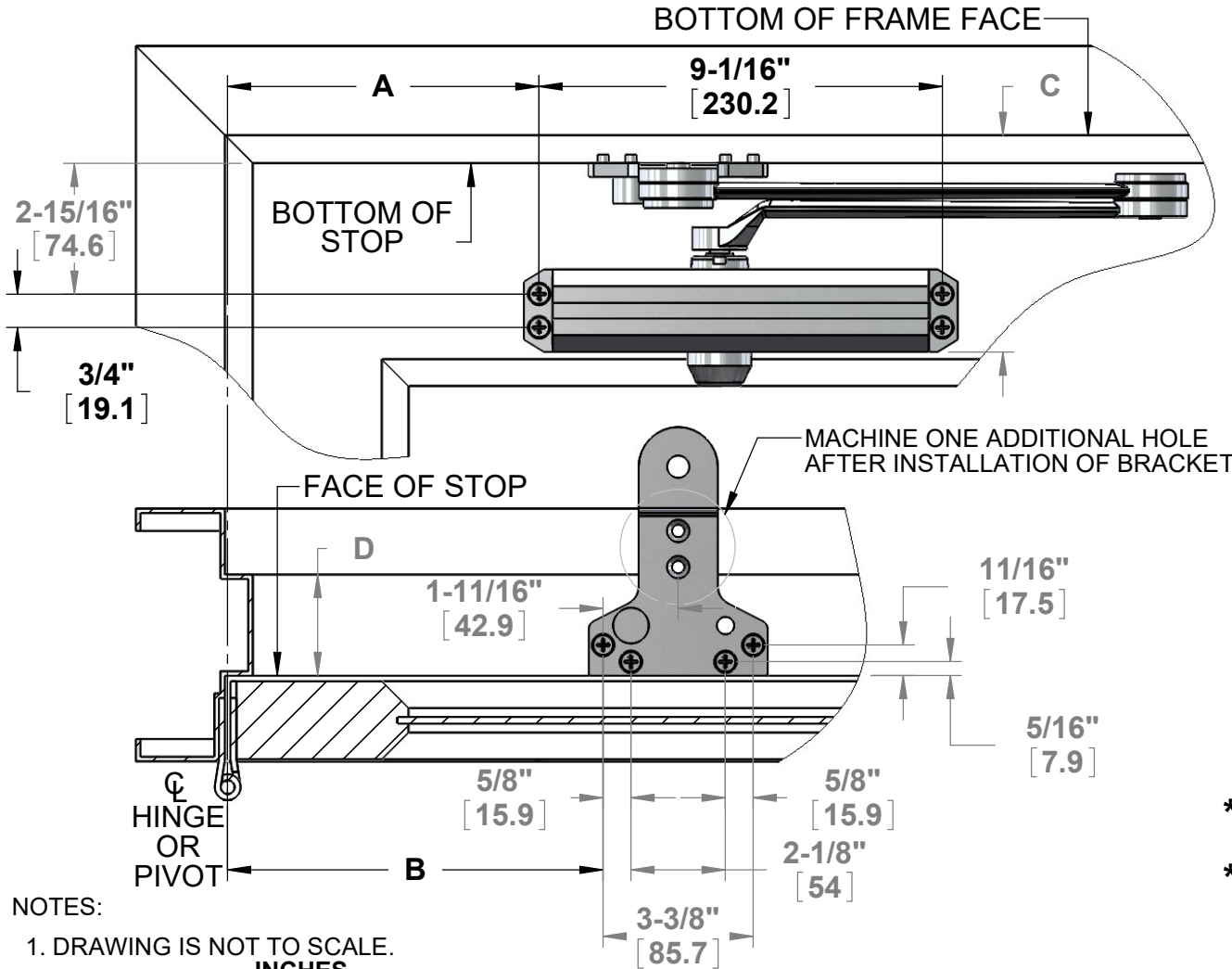


3100/3101 DOOR CLOSER MODELS

PARALLEL ARM INSTALLATION - PUSH SIDE
DS AND DSHO APPLICATIONS

TEMPLATE: 319304,
REV. 1 08-21-18



MACHINE SCREWS:
USE #7 OR 13/64" [5.1] DRILL AND 1/4-20 TAP

WOOD DOOR / FRAME SCREWS:
USE 5/32" [4] DRILL

SEX NUTS:
USE 3/8" [9.5] DRILL (CLOSER TO DOOR)

Opening**	Dim. A	Dim. B
To 85°	6-15/16" [176.2]	8-7/16" [214.3]
86° To 90°	6-5/16" [160.3]	7-13/16" [198.4]
91° To 95°	5-3/4" [146]	7-1/4" [184.2]
96° To 100°	5-1/8" [130.2]	6-5/8" [168.3]
101° To 105°	4-9/16" [115.9]	6-1/16" [154]
106° To 110°	3-15/16" [100]	5-7/16" [138.1]
Dim. C*		
MIN. TO BOTTOM OF CLOSER	4-11/16" [119.1]	
MIN. TO BOTTOM OF DUST CAP	5-7/16" [138.1]	
MIN. TO BOTTOM OF (OPTIONAL) STREAMLINE COVER WITH INSERT	5-9/16" [141.3]	
Dim. D		
MIN. STOP DEPTH RECOMMENDED	1-1/4" [31.8]	

* MIN. RAIL DIMENSIONS BASED ON 5/8" [15.9] STOP HEIGHT AND 1/8" [3.2] TOP DOOR GAP.

** DOOR MAY SWING UP TO 5° BEYOND STOP/HO POINT INDICATED.

- NOTES:
1. DRAWING IS NOT TO SCALE.
 2. DIMENSIONS IN **INCHES** [MM]
 3. LEFT HAND DOOR SHOWN. FOR RIGHT HAND DOOR REVERSE IMAGE.
 4. DIMENSIONS BASED ON 4-1/2" X 4-1/2" BUTT HINGES.
 5. DOOR SWING MAY BE ALTERED DUE TO OTHER LIMITING CONDITIONS.
 6. CAUTION: SEX NUTS MAY BE REQUIRED FOR UNREINFORCED DOORS OR COMPOSITE FIRE DOORS. CONSULT MANUFACTURER'S RECOMMENDATIONS.
 7. HOLD OPEN ARMS CAN NOT BE USED ON LABELED FIRE DOORS.
 8. ALWAYS CHECK PDQ WEB SITE FOR THE MOST RECENT REVISION AT WWW.PDQLOCKS.COM.