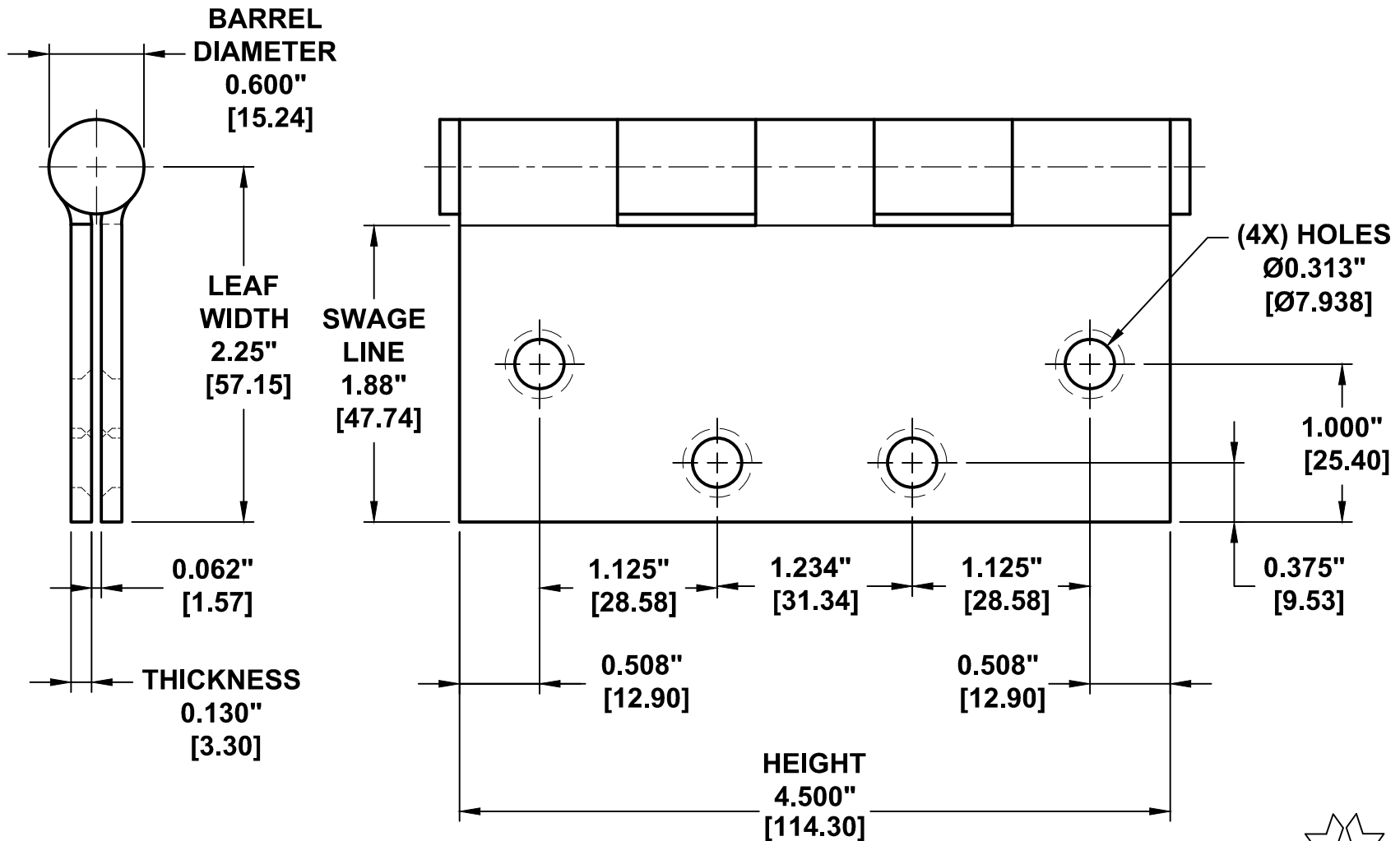


4545 PLAIN BEARING HINGE FULL MORTISE TEMPLATE 4-1/2" X 4-1/2"

STANDARD DUTY HINGE MODELS

TEMPLATE: 359302
REV. 0 07-22-15
NOT TO SCALE



NOTES:

1. DIMENSIONS IN **INCHES** [MM]
2. ALWAYS CHECK PDQ WEBSITE FOR THE MOST RECENT TEMPLATE REVISION AT WWW.PDQLOCKS.COM



PDQ Manufacturing
2754 Creek Hill Rd.
Leola, PA 17540
800-441-9692
Fax: 717-656-6892
www.pdqlocks.com