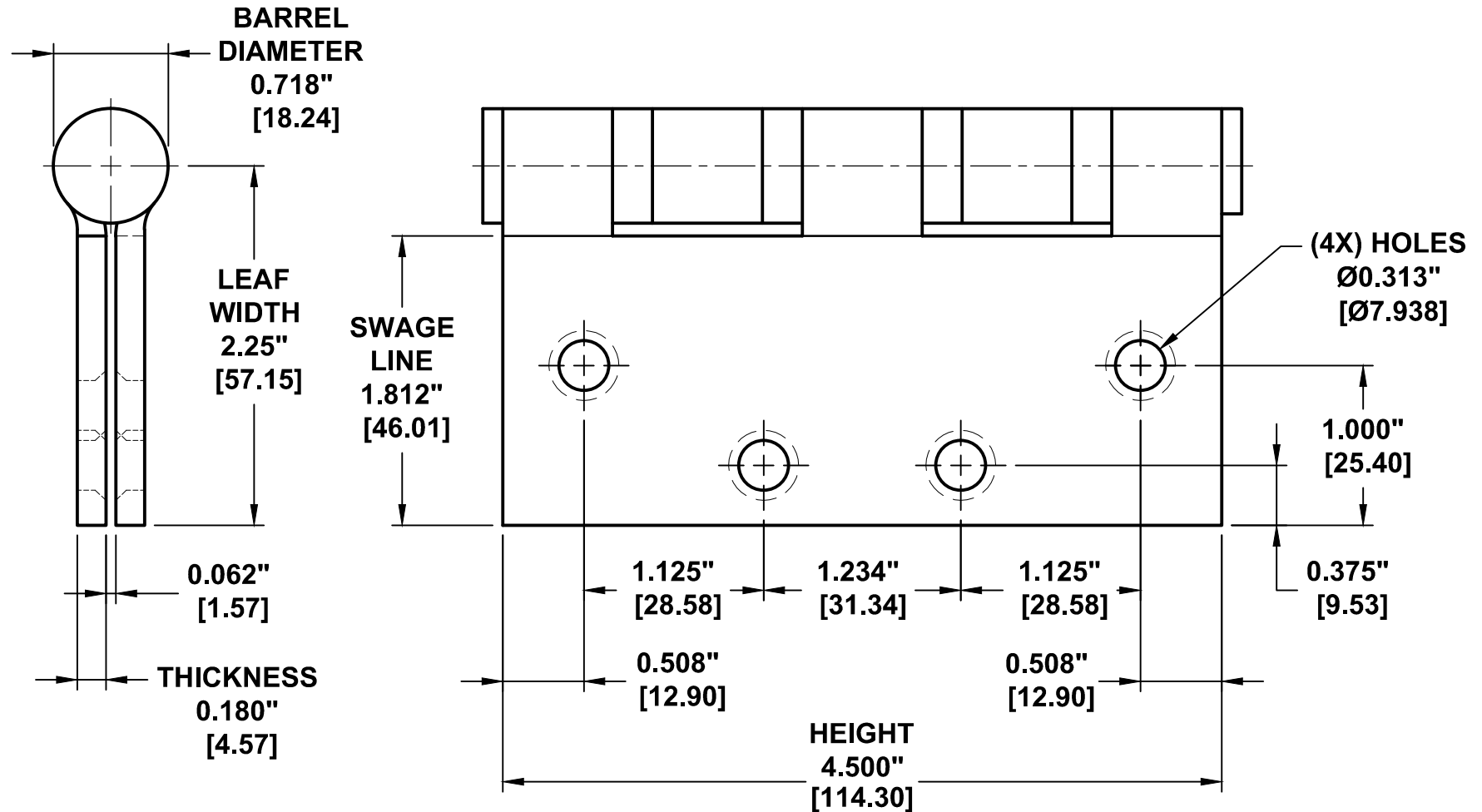


**4545 4 BALL BEARING HINGE
FULL MORTISE TEMPLATE 4-1/2" X 4-1/2"
HEAVY DUTY HINGE MODELS**

**TEMPLATE: 359305
REV. 0 07-23-15
NOT TO SCALE**



NOTES:

1. DIMENSIONS IN **INCHES**
[MM]
2. ALWAYS CHECK PDQ WEBSITE FOR THE MOST RECENT
TEMPLATE REVISION AT WWW.PDQLOCKS.COM



PDQ Manufacturing
2754 Creek Hill Rd.
Leola, PA 17540
800-441-9692
Fax: 717-656-6892
www.pdqlocks.com