

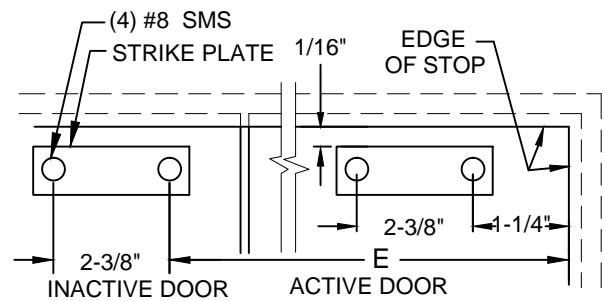
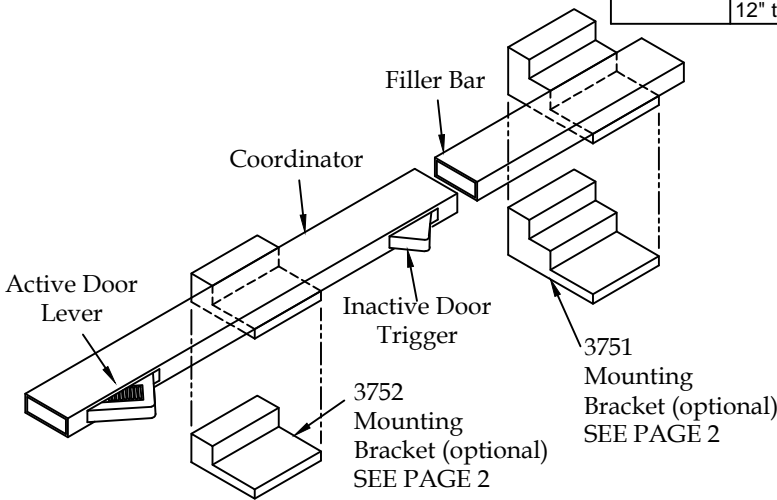
# 3700 SERIES- FULL BAR COORDINATOR W/ FILLER BAR

**NOTE:**

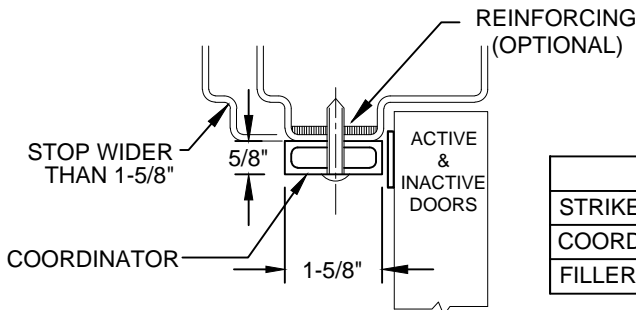
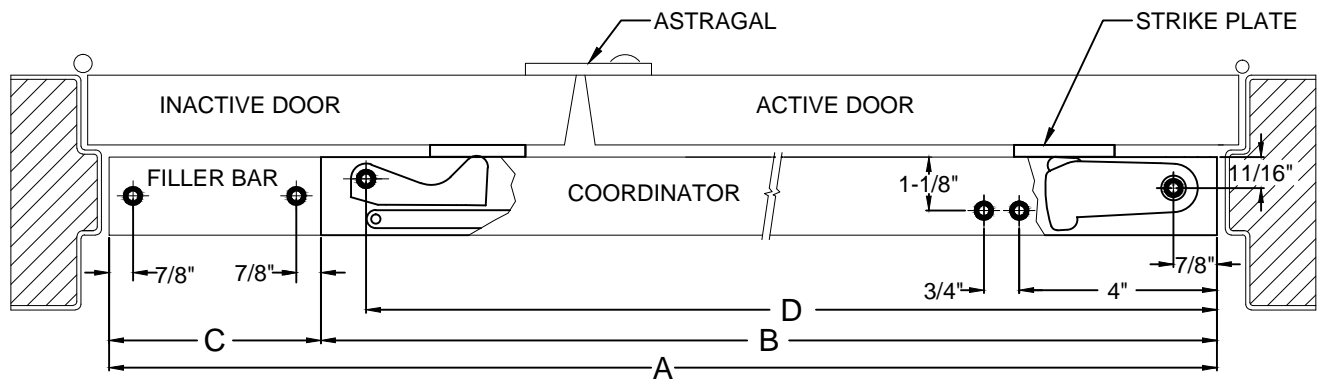
1. CLOSE DOOR AGAINST STOP. LOCATE ACTIVE & INACTIVE DOOR STRIKES AS SHOWN BELOW.
2. LOCATE COORDINATOR AS SHOWN BELOW. INSTALL COORDINATOR WITH (1)12-24 MS TO HOLD 3700 IN POSITION BEFORE DRILLING OTHER HOLES.
3. IF REQUIRED, INSTALL FILLER BAR IN GAP BETWEEN END OF COORDINATOR AND INACTIVE DOOR STOP.

3700 SERIES SIZING CHART					
MODEL	DOOR FRAME OPENING (Equal Pair) A	COORDINATOR (included) B	FILLER BAR (included) C (cut to length)	DIMENSION	
				D	E
3711	52" Or Less	32"	20"	31"	27-1/2"
3712	52-1/16" to 56"	32"	32"	31"	27-1/2"
3721	56-1/16" to 72"	52"	20"	51"	47-1/2"
3722	72-1/16" to 84"	52"	32"	51"	47-1/2"
3723	84-1/16" to 96"	52"	44"	51"	47-1/2"
3733	96-1/16" to 104"	60"	44"	59"	55-1/2"
3741	(unequal pair) 36" Active & 12" to 24" Inactive	42"	20"	41"	37-1/2"

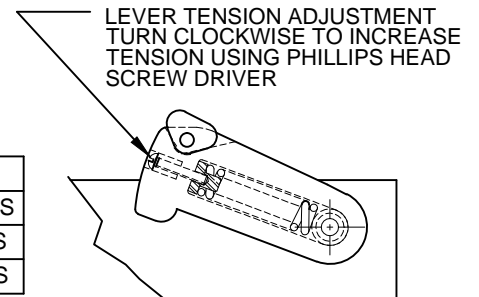
 MOUNTING HOLE LOCATIONS



STRIKE PLATE LOCATION ON DOOR



SCREW DETAILS	
STRIKE PLATES	(4) #8 FLAT HD U/C SMS
COORDINATOR	(4) 12-24 TRUSS HD MS
FILLER BAR	(2) 12-24 TRUSS HD MS

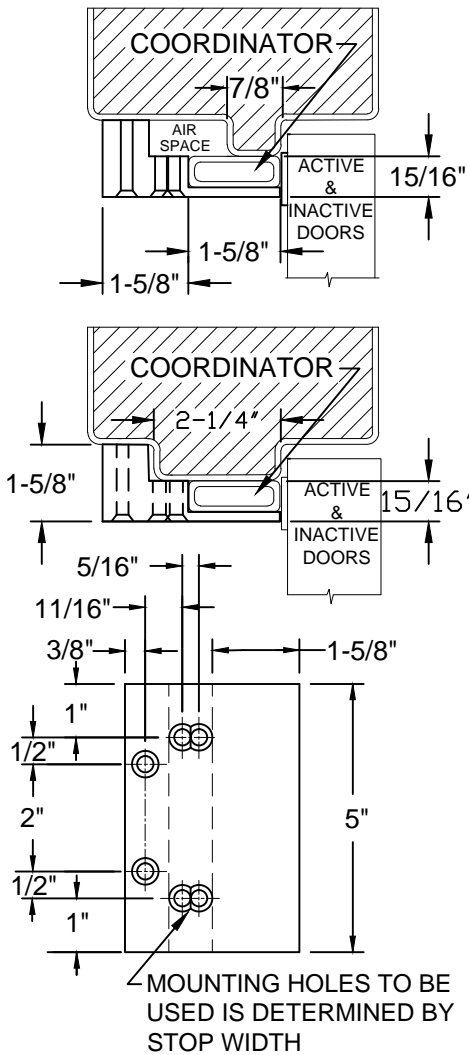


[www.abhmfg.com](http://www.abhmfg.com)  
 E-mail: [abhinfo@abhmfg.com](mailto:abhinfo@abhmfg.com)  
 Architectural Builders Hardware Mfg., Inc.  
 1222 Ardmore Ave., Itasca, IL 60143  
 630.875.9900; FAX 800.9FAXABH (932.9224)

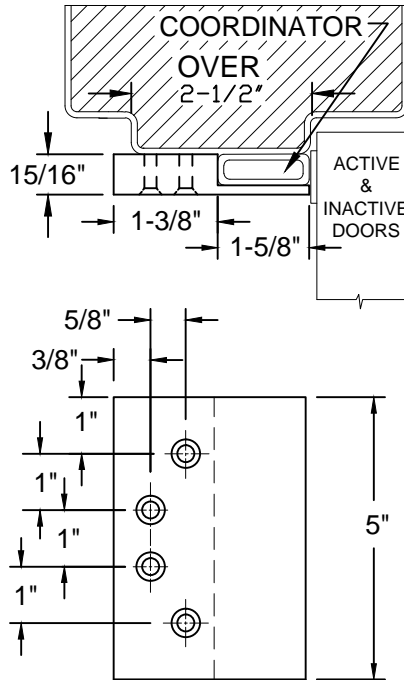
©2016 ABH Mfg., Inc.  
printed in USA

3700-1-04.DWG  
**3700**  
 FULL BAR COORDINATOR  
 WITH FILLER BAR  
 PAGE 1 OF 2  
 REVISED 09-02-16

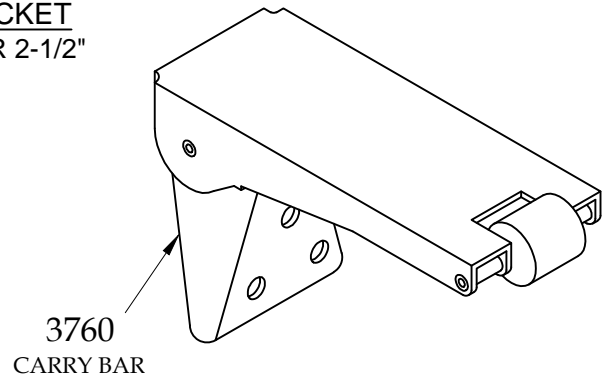
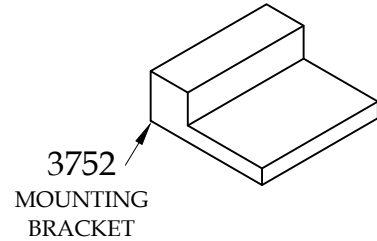
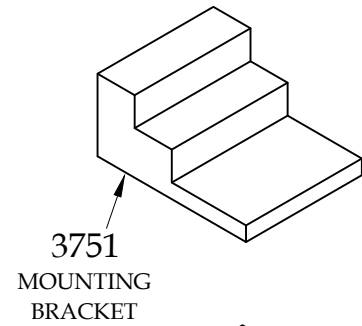
# 3700 SERIES COORDINATORS - 3760 CARRY BAR, MOUNTING BRACKETS



**3751 MOUNTING BRACKET**  
FOR STOP WIDTH UP TO 2-1/2"

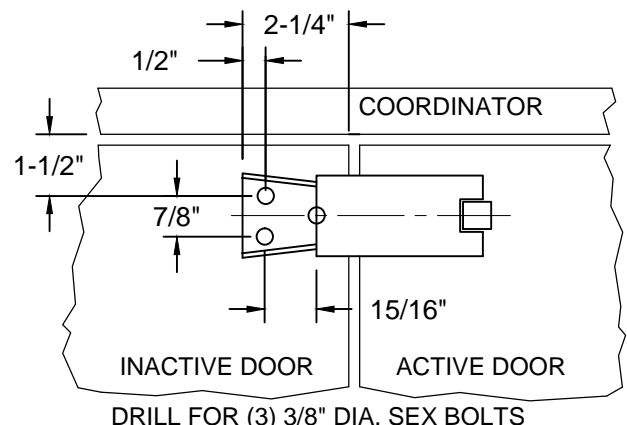


**3752 MOUNTING BRACKET**  
FOR STOP WIDTH OVER 2-1/2"



**NOTE:**

1. MOUNTING BRACKETS FOR STOP APPLIED HARDWARE.
2. TO MOUNT BRACKETS, DRILL & TAP FOR (4) 10-32 SCREWS.
3. BRACKETS MUST BE FIELD DRILLED AND TAPPED FOR STOP MOUNTED HARDWARE.
4. INSTALL DOOR APPLIED HARDWARE 15/16" LOWER TO CLEAR COORDINATOR AND BRACKET.
5. 3760 CARRY BAR IS MOUNTED ON INACTIVE DOOR. WHEN THE INACTIVE DOOR OPENS, THE CARRY BAR OPENS THE ACTIVE DOOR UNTIL IT ENGAGES THE COORDINATOR HOLD OPEN LEVER.
6. THE CARRY BAR IS NOT USED WHEN THE INACTIVE DOOR IS EQUIPPED WITH AUTOMATIC OR SELF-LATCHING FLUSH BOLTS.



**3760 CARRY BAR**  
INSTALLATION



www.abhmfg.com  
E-mail: abhinfo@abhmfg.com  
Architectural Builders Hardware Mfg., Inc.  
1222 Ardmore Ave., Itasca, IL 60143  
630.875.9900; FAX 800.9FAXABH (932.9224)

©2016 ABH Mfg., Inc.  
printed in USA

3700-2-04.DWG

**3700**  
FULL BAR COORDINATOR  
WITH FILLER BAR  
PAGE 2 OF 2  
REVISED 09-02-16