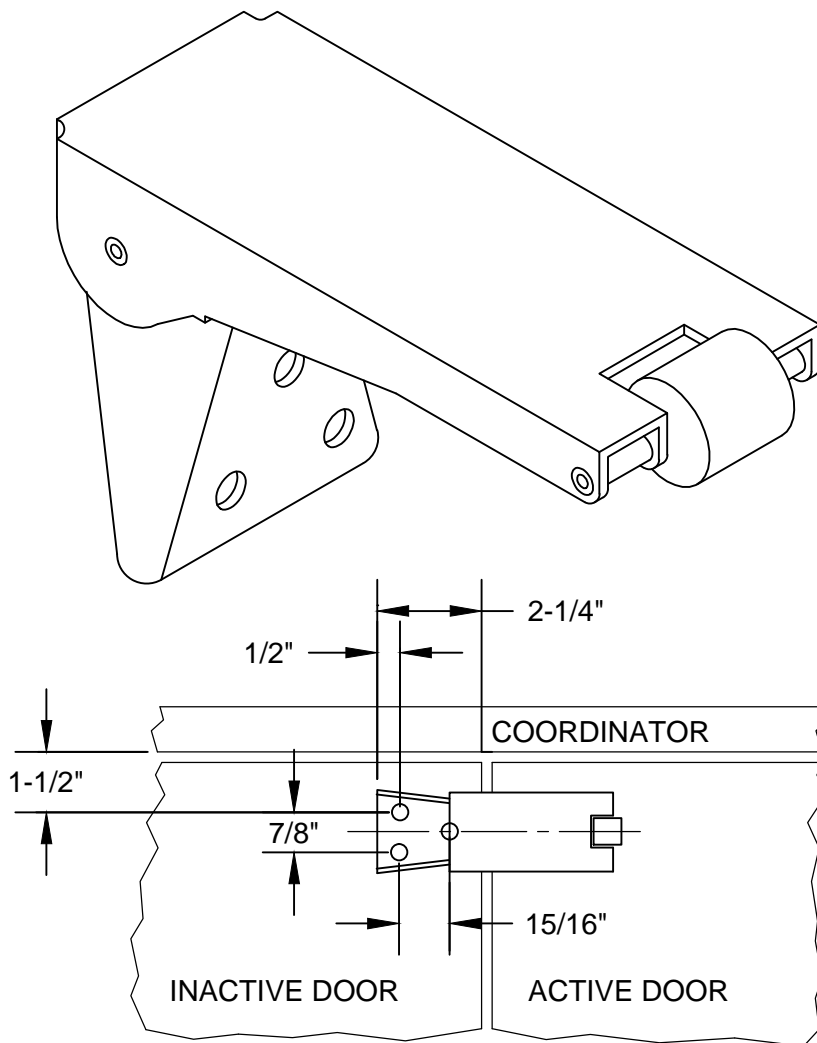


3760 SERIES CARRY BAR



DRILL FOR (3) 3/8" DIA. SEX BOLTS

CARRY BAR INSTALLATION

NOTES:

1. 3760 SERIES CARRY BAR IS MOUNTED ON THE INACTIVE DOOR. WHEN THE INACTIVE DOOR OPENS, THE CARRY BAR OPENS THE ACTIVE DOOR UNTIL IT ENGAGES THE COORDINATOR HOLD OPEN LEVER.
2. THE CARRY BAR IS NOT USED WHEN THE INACTIVE DOOR IS EQUIPPED WITH AUTOMATIC OR SELF-LATCHING FLUSH BOLTS.