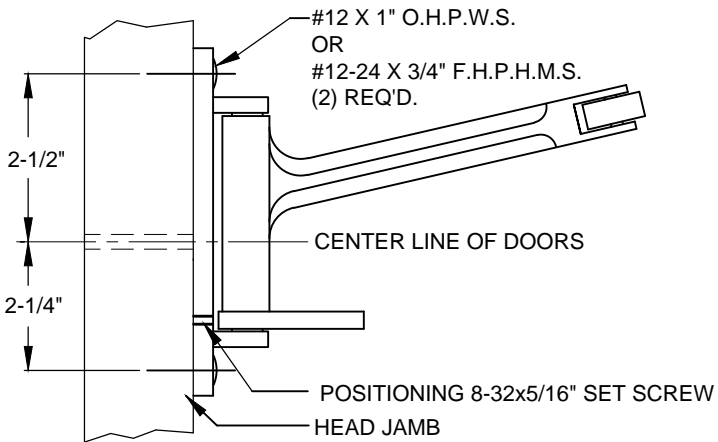
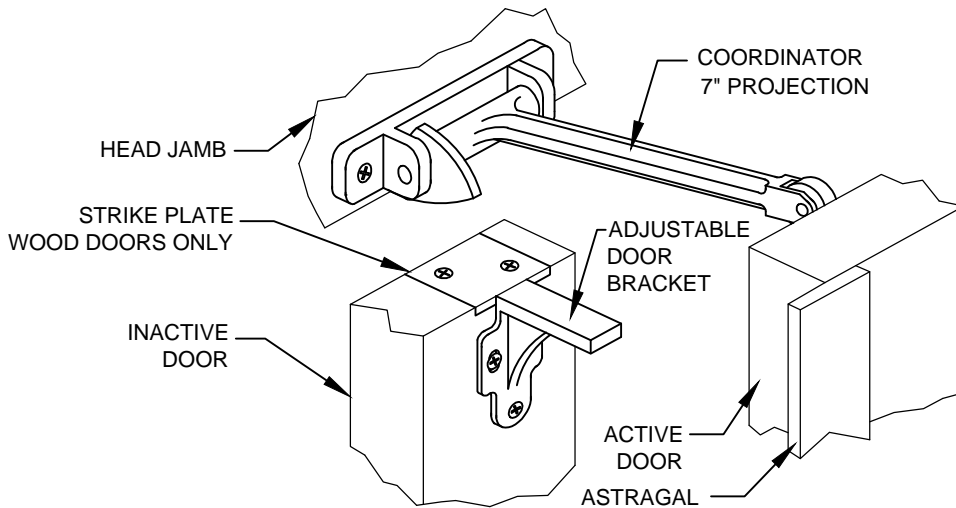


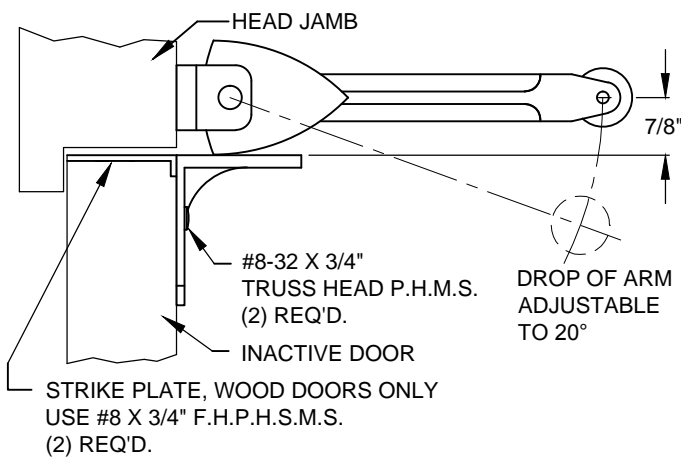
3790 DOOR COORDINATOR



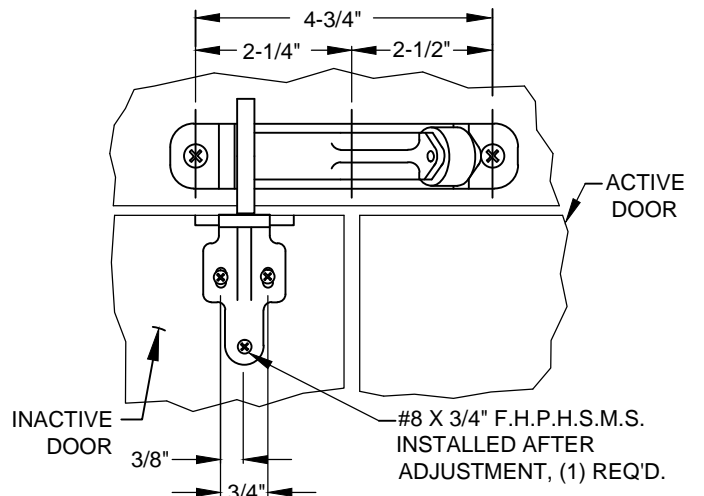
TOP VIEW

NOTES:

1. USED ON A PAIR OF SWINGING DOORS WITH AN OVERLAPPING ASTRAGAL.
2. THE DEVICE HOLDS THE ACTIVE DOOR OPEN UNTIL THE INACTIVE DOOR HAS CLOSED.



SIDE VIEW



FRONT VIEW