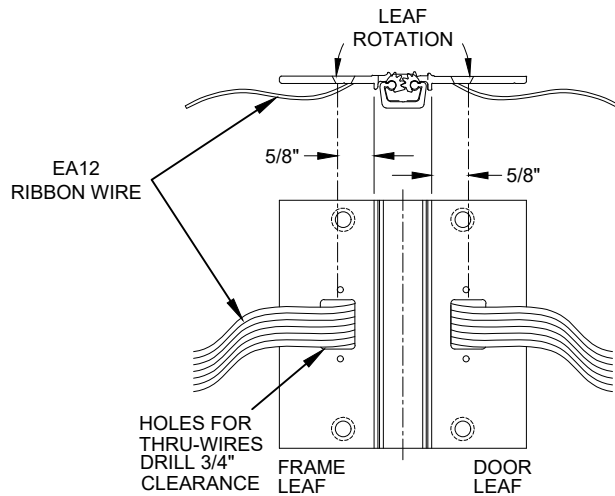
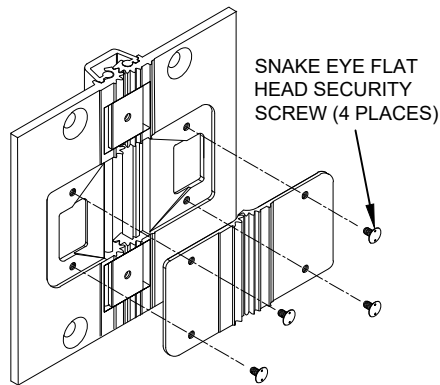
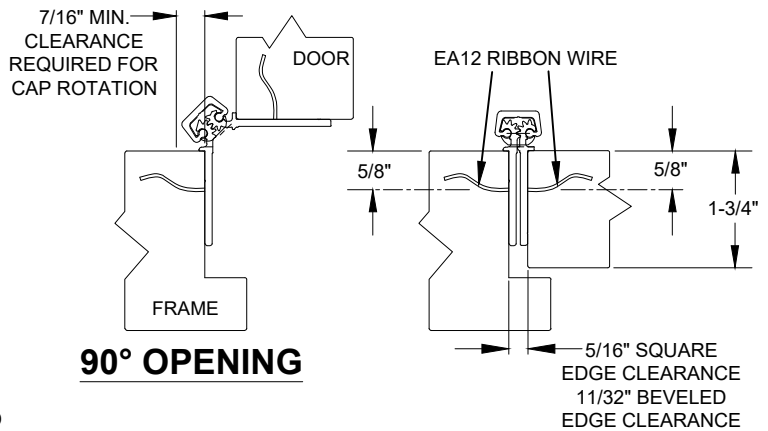
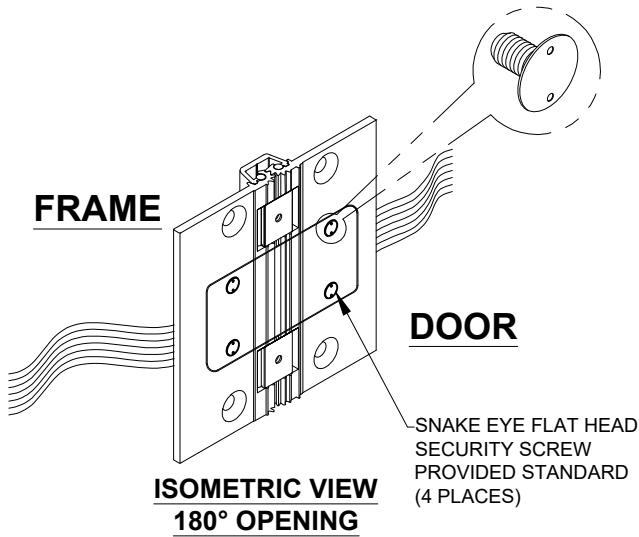
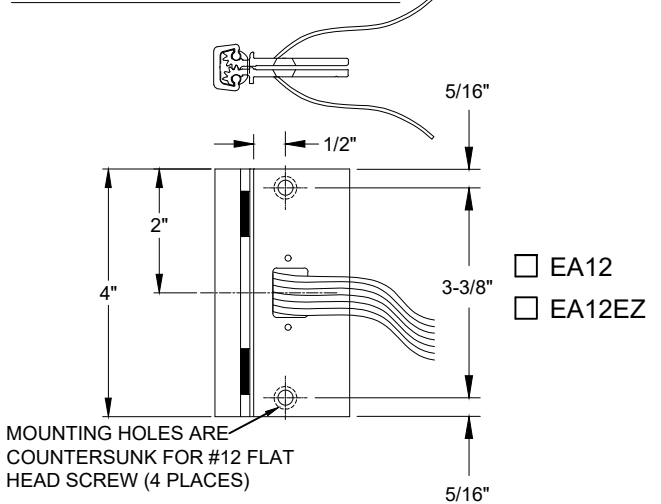


GEAR HINGE CONCEALED MODIFIED THRU WIRE 4" REMOVABLE SECTION INSTALLATION, EA 12 RIBBON WIRE



WIRE TRANSFER VIEW



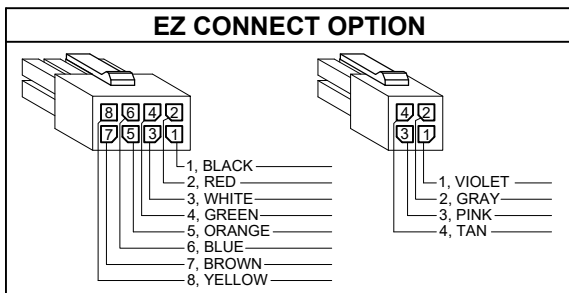
NOTES:
1. SPECIFY WIRE CONFIGURATION WHEN ORDERING, TEMPLATE REMAINS THE SAME.

- EA12
- EA12EZ*

* SPECIFY ELECTRIFIED HARDWARE MANUFACTURER FOR CONNECTOR COMPABILITY.

SPECIFICATION:

DESCRIPTION: SINGLE CONDUCTOR #22 AWG MINIATURE HOOK-UP WIRE FOR APPLICATIONS REQUIRING EXTREME FLEXIBILITY.
CONDUCTOR: #22 AWG 168/44 (0.002") SOFT BARE COPPER LHL.
INSULATION: PROPRIETARY FORMULATION PVC 0.010" NOM. WALL MEETS VW-1 FLAME REQUIREMENT.
DIAMETER: 0.053" ± 0.003".
RESISTANCE: 16.7 OHMS MAX. @ 20°C, PER 1000 FT.
VOLTAGE RATING: 600 VOLTS RMS, DEPENDING ON SPECIFICATION.
 AVAILABLE AS RoHS COMPLIANT.



GEAR HINGE 4 INCH REMOVABLE SECTION RIBBON CABLE INSTALLATION-01.DWG



www.abhmfg.com
 E-mail: abhinfo@abhmfg.com
 Architectural Builders Hardware Mfg., Inc.
 1222 Ardmore Ave., Itasca, IL 60143
 630.875.9900; FAX 800.9FAXABH (932.9224)

GEAR HINGE 4" REMOVABLE SECTION INSTALLATION

© 2021 ABH Mfg., Inc.
printed in USA

PAGE 1 OF 1
REVISED 5-17-21