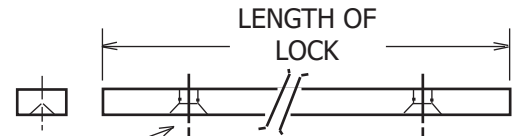
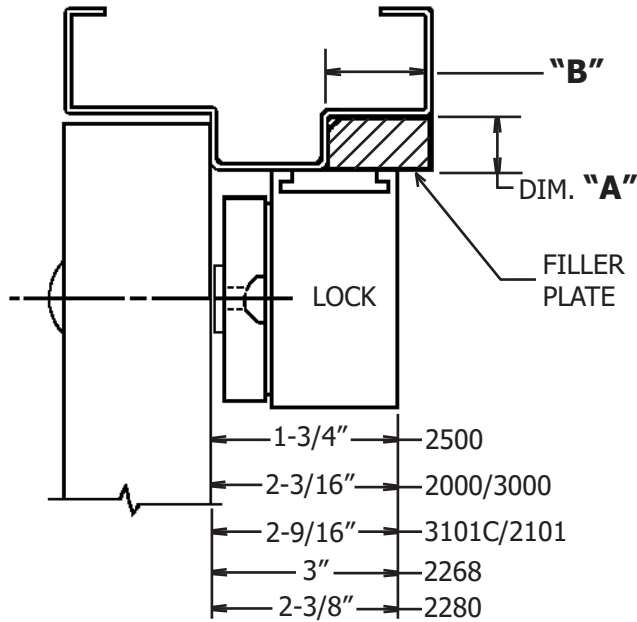


Filler & Spacer Plates Angle Brackets

4000 Series Filler Plates

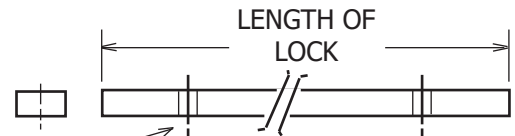
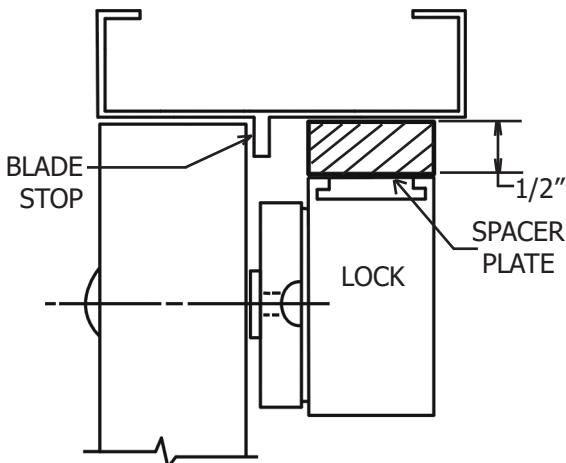
Filler plates facilitate the mounting of electromagnetic locks by extending the width of the door stop to provide an adequate mounting surface. Where required, select a Filler Plate equal in thickness to the height of the door stop (i.e. Dim. "A").



TYPICAL,
#10 FHS FOR 1/8" & 1/4" THICKNESS
#12 FHS FOR 3/8" & LARGER THICKNESS

4000 Series Spacer Plates

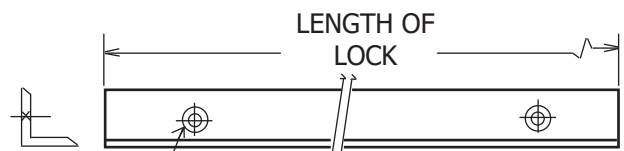
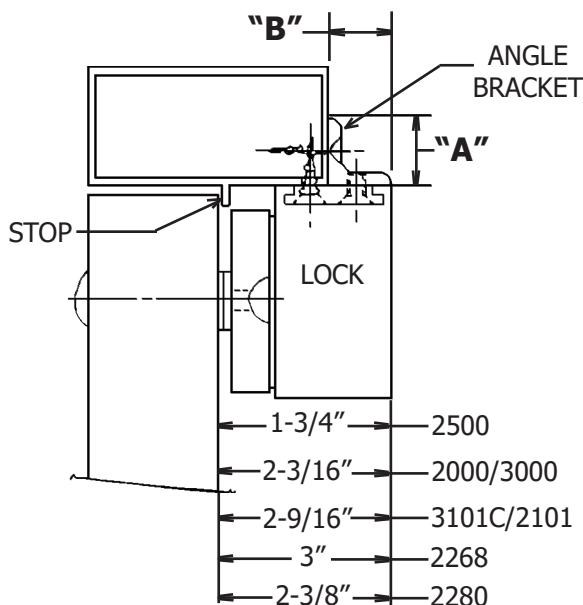
Spacer plates facilitate the mounting of electromagnetic locks by lowering the entire assembly 1/2", to clear a blade stop. All plates are pre-drilled for the corresponding lock series.



TYPICAL,
COMES WITH CORRESPONDING MOUNTING
HARDWARE. HOUSING SCREWS MOUNT
THROUGH SPACER PLATE INTO FRAME.

4000 Series Angle Brackets

Angle Brackets facilitate the mounting of electromagnetic locks by extending the frame header area to provide an adequate mounting surface. Where required, select an Angle Bracket appropriate to accommodate the mounting footprint of the lock.



#10 FHS
TYPICAL