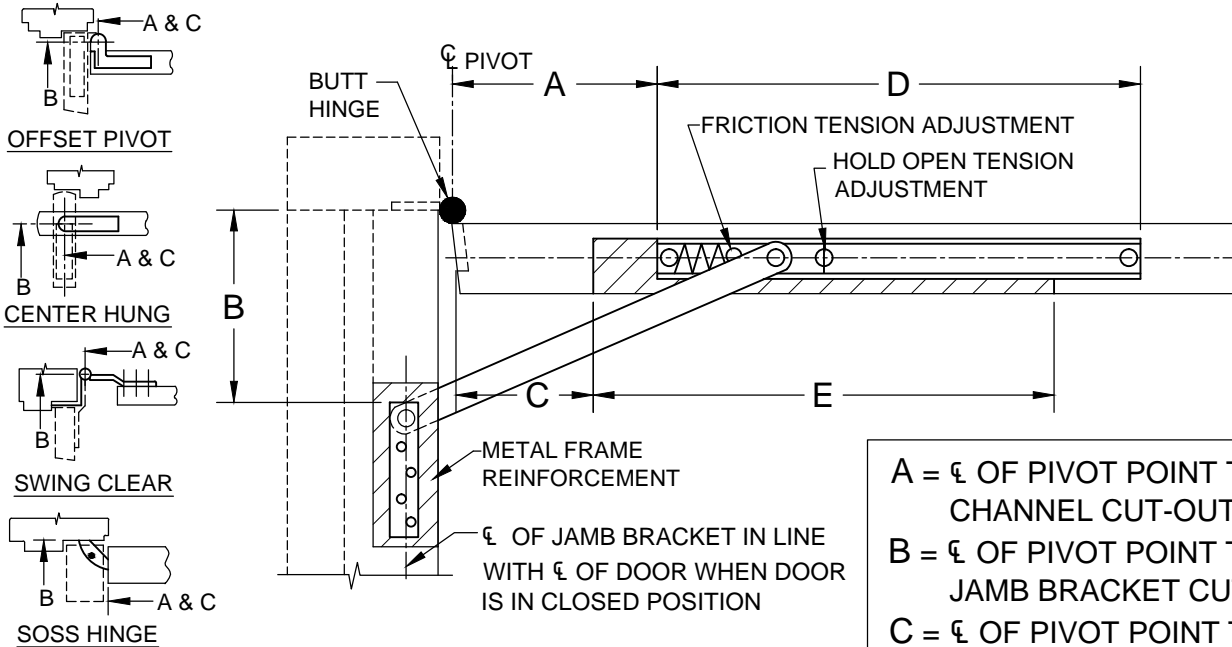
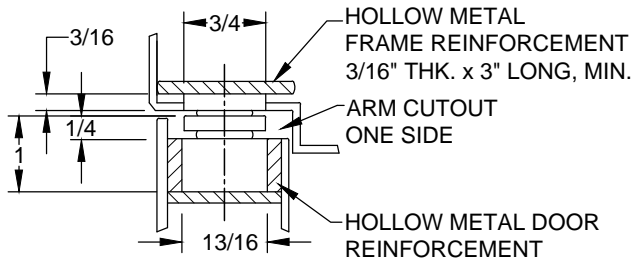


# 4000 SERIES CONCEALED HOLDERS & STOPS

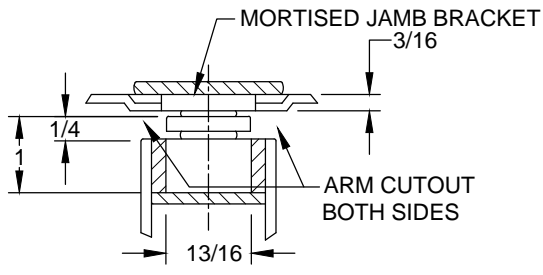
## CONCEALED MOUNT, MEDIUM DUTY



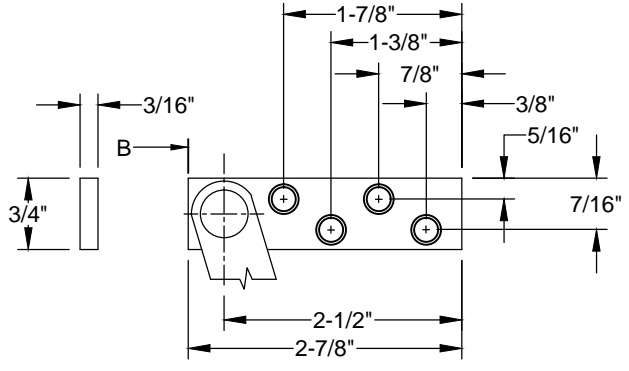
A =  $\phi$  OF PIVOT POINT TO START OF CHANNEL CUT-OUT  
 B =  $\phi$  OF PIVOT POINT TO START OF JAMB BRACKET CUT-OUT  
 C =  $\phi$  OF PIVOT POINT TO START OF ARM CUT-OUT  
 D = CHANNEL LENGTH  
 E = ARM CUT-OUT



**SINGLE ACTING DOOR**



**DOUBLE ACTING DOOR**



**JAMB BRACKET**

SCREW DETAIL			
	QTY	WOOD	METAL
JAMB	4	#10 x 1-1/2 FLAT HEAD WOOD SCREW	10-32 x 1/2 FLAT HEAD MACHINE SCREW, UNDER CUT
DOOR	2	#10 x 1-3/4 ROUND HEAD WOOD SCREW	10-32 x 1-1/2 TRUSS HEAD MACHINE SCREW

- NOTES:**
1. REVERSIBLE/ NON-HANDED
  2. FOR SINGLE OR DOUBLE ACTING DOOR
  3. ALWAYS REQUEST LATEST TEMPLATE/ DRAWINGS FOR NEW INSTALLATIONS
  4. ALL DRILLING & TAPPING TO BE DONE IN FIELD.
  5. DO NOT SCALE DRAWING
  6. ALL DIMENSIONS ARE IN INCHES
  7. DIMENSION B = HOLD-OPEN FOR HOLDERS, OPENING FOR STOPS

# 4000 SERIES CONCEALED HOLDERS & STOPS

## CONCEALED MOUNT, MEDIUM DUTY

- 4010 HOLDER      ● 4020 STOP      ● 4030 FRICTION

1. FOR DEAD STOP ADD 1/2" TO "A" DIMENSION

2. ALL DIMENSIONS ARE IN INCHES.

		DOOR FRAME OPENINGS 18" TO 23-15/16"																							
		DOOR THICK.		MOUNTING				DOOR THICK.		MOUNTING				DOOR THICK.		MOUNTING									
• 4011 HOLDER • 4021 STOP • 4031 FRICTION "D" = 12-1/8"	1-3/4  2 & 2-1/4	▲ 4-1/2 x 4-1/2 BUTTS				1-3/8		▲ 3-1/2 x 3-1/2 BUTTS				1-3/8		3 x 3 BUTTS				1-3/8	SOSS 216						
		▲ 5 x 5 BUTTS				1-3/4		▲ 4 x 4 BUTTS				1-3/4		SOSS 218											
		▲ SWING CLEAR				2		▲ SWING CLEAR				2 & 2-1/4		SOSS 220											
		A	B	C	E	A	B	C	E	A	B	C	E	A	B	C	E	A	B	C	E				
85° OPENING		3	4-1/16	1	12-1/2	3-1/8	4-5/16	2	11-3/4	3-3/16	4-3/8	2-1/2	11-1/4	3-3/8	4-1/2	3-3/4	10-1/4								
90° OPENING		2-11/16	3-13/16	0	13-1/4	2-7/8	4-1/16	1-1/4	12-1/4	2-15/16	4-1/8	1-3/4	11-3/4	3-1/8	4-1/4	3-1/2	10-1/4								
95° OPENING		2-7/16	3-9/16	0	13	2-5/8	3-13/16	0	13-1/4	2-3/4	3-15/16	1	12-1/2	3	4-1/8	3	10-1/2								
100° OPENING		2-1/4	3-3/8	0	13	2-7/16	3-5/8	0	13	2-9/16	3-3/4	0	13-1/4	2-3/4	3-7/8	2-1/2	11								
105° OPENING		2-1/16	3-3/16	0	12-3/4	2-1/4	3-7/16	0	12-3/4	2-3/8	3-9/16	0	13	2-1/2	3-5/8	1/2	12-3/4								
110° OPENING		1-15/16	3-1/16	0	12-1/2	2-1/8	3-5/16	0	12-1/2	2-3/16	3-3/8	0	12-3/4	2-3/8	3-1/2	0	13								
		DOOR FRAME OPENINGS 24" TO 29-15/16"																							
		DOOR THICK.		MOUNTING				DOOR THICK.		MOUNTING				DOOR THICK.		MOUNTING									
• 4012 HOLDER • 4022 STOP • 4032 FRICTION "D" = 14"	1-3/4  2 & 2-1/4	▲ 4-1/2 x 4-1/2 BUTTS				1-3/8		▲ 3-1/2 x 3-1/2 BUTTS				1-3/8		3 x 3 BUTTS				1-3/8	SOSS 216						
		▲ 5 x 5 BUTTS				1-3/4		▲ 4 x 4 BUTTS				1-3/4		SOSS 218											
		▲ 3/4 OFFSET PIVOTS				2		▲ SWING CLEAR				2 & 2-1/4		SOSS 220											
		A	B	C	E	A	B	C	E	A	B	C	E	A	B	C	E	A	B	C	E				
85° OPENING		7-13/16	5-3/4	5	15-1/4	7-15/16	6	5-1/4	15-1/4	8-1/16	6-1/8	5-1/2	15	8-1/4	6-1/4	5-1/2	15								
90° OPENING		7-7/16	5-3/8	4-3/4	15-1/4	7-9/16	5-5/8	5	15	7-11/16	5-3/4	5	15-1/4	7-7/8	5-7/8	5-1/4	15-1/4								
95° OPENING		7-1/8	5-1/16	3-3/4	16	7-1/4	5-5/16	4-1/2	15-1/4	7-3/8	5-7/16	4-3/4	15-1/4	7-9/16	5-9/16	4-3/4	15-1/4								
100° OPENING		6-13/16	4-3/4	2	17-1/4	6-15/16	5	3-3/4	15-3/4	7-1/16	5-1/8	4-1/2	15	7-1/4	5-1/4	4-1/2	15-1/4								
105° OPENING		6-5/8	4-9/16	0	19-1/4	6-11/16	4-3/4	2-1/4	17	6-13/16	4-7/8	3	16-1/4	7	5	4-1/4	15-1/4								
110° OPENING		6-3/8	4-5/16	0	19	6-1/2	4-9/16	1/2	18-1/2	6-5/8	4-11/16	2	17-1/4	6-3/4	4-3/4	4	15-1/4								
		DOOR FRAME OPENINGS 30" TO 35-15/16"																32" TO 37-15/16"							
		DOOR THICK.		MOUNTING				DOOR THICK.		MOUNTING				DOOR THICK.		MOUNTING				MOUNTING					
• 4013 HOLDER • 4023 STOP • 4033 FRICTION "D" = 15-1/8"	1-3/4  2 & 2-1/4	▲ 4-1/2 x 4-1/2 BUTTS				1-3/8		▲ 3-1/2 x 3-1/2 BUTTS				1-3/8		3 x 3 BUTTS				1-3/8	SOSS 216	CENTER HUNG PIVOTS					
		▲ 5 x 5 BUTTS				1-3/4		▲ 4 x 4 BUTTS				1-3/4		SOSS 218											
		▲ 3/4 OFFSET PIVOTS				2		▲ SWING CLEAR				2 & 2-1/4		SOSS 220											
		A	B	C	E	A	B	C	E	A	B	C	E	A	B	C	E	A	B	C	E	A	B	C	E
85° OPENING		10-5/8	6-13/16	6	18-1/4	10-13/16	7-1/16	6-1/4	18-1/4	10-7/8	7-1/8	6-1/2	18	11-1/8	7-5/16	6-1/2	18-1/4	11-3/8	7-5/8	7	18				
90° OPENING		10-3/16	6-3/8	5-3/4	18	10-3/8	6-5/8	6	18	10-7/16	6-11/16	6	18	10-11/16	6-7/8	6-1/4	18	10-15/16	7-3/16	6-1/2	18				
95° OPENING		9-13/16	6	5-1/4	18-1/4	10	6-1/4	5-1/2	18-1/4	10-1/16	6-5/16	5-1/2	18-1/4	10-5/16	6-1/2	5-3/4	18-1/4	10-1/2	6-3/4	6	18-1/4				
100° OPENING		9-1/2	5-11/16	5	18-1/4	9-5/8	5-7/8	5-1/4	18	9-11/16	5-15/16	5-1/4	18	9-15/16	6-1/8	5-1/2	18	10-3/16	6-7/16	5-3/4	18				
105° OPENING		9-3/16	5-3/8	3-3/4	19	9-3/8	5-5/8	5	18	9-7/16	5-11/16	5	18	9-5/8	5-13/16	5	18-1/4	—	—	—	—				
110° OPENING		9	5-3/16	1-1/2	21-1/4	9-1/8	5-3/8	4	18-3/4	9-3/16	5-7/16	4-3/4	18	9-3/8	5-9/16	4-3/4	18-1/4	—	—	—	—				
		DOOR FRAME OPENINGS 36" TO 48"																38" TO 48"							
		DOOR THICK.		MOUNTING				DOOR THICK.		MOUNTING				DOOR THICK.		MOUNTING				MOUNTING					
• 4014 HOLDER • 4024 STOP • 4034 FRICTION "D" = 16-3/4"	1-3/4  2 & 2-1/4	▲ 4-1/2 x 4-1/2 BUTTS				1-3/8		▲ 3-1/2 x 3-1/2 BUTTS				1-3/8		3 x 3 BUTTS				1-3/8	SOSS 216	CENTER HUNG PIVOTS					
		▲ 5 x 5 BUTTS				1-3/4		▲ 4 x 4 BUTTS				1-3/4		SOSS 218											
		▲ 3/4 OFFSET PIVOTS				2		▲ SWING CLEAR				2 & 2-1/4		SOSS 220											
		A	B	C	E	A	B	C	E	A	B	C	E	A	B	C	E	A	B	C	E	A	B	C	E
85° OPENING		14-15/16	8-3/8	7-3/4	22-1/2	15-1/8	8-1/2	7-3/4	22-3/4	15-5/16	8-11/16	8	22-1/2	15-7/16	8-13/16	8	22-3/4	15-3/4	9-1/8	8-1/2	22-1/2				
90° OPENING		14-7/16	7-7/8	7-1/4	22-1/2	14-5/8	8	7-1/4	22-3/4	14-3/4	8-1/8	7-1/2	22-1/2	14-15/16	8-5/16	7-1/2	22-3/4	15-3/16	8-9/16	7-3/4	22-3/4				
95° OPENING		13-15/16	7-3/8	6-3/4	22-1/2	14-3/16	7-9/16	6-3/4	22-3/4	14-1/4	7-5/8	7	22-1/2	14-7/16	7-13/16	7	22-3/4	14-11/16	8-1/16	7-1/4	22-3/4				
100° OPENING		13-9/16	7	6-1/4	22-1/2	13-3/4	7-1/8	6-1/4	22-1/2	13-7/8	7-1/4	6-1/2	22-3/4	14	7-3/8	6-3/4	22-1/2	14-5/16	7-11/16	7	22-1/2				
105° OPENING		13-3/16	6-5/8	6	22-1/2	13-3/8	6-3/4	6	22-3/4	13-1/2	6-7/8	6-1/4	22-1/2	13-5/8	7	6-1/4	22-3/4	13-15/16	7-5/16	6-1/2	22-3/4				
110° OPENING		12-15/16	6-3/8	5-1/4	22-1/2	13-1/16	6-7/16	5-1/4	22-3/4	13-3/16	6-9/16	5-3/4	22-3/4	13-5/16	6-11/16	6	22-1/2	13-9/16	6-15/16	6-1/4	22-1/2				

CONTACT FACTORY  
FOR  
CENTER HUNG  
APPLICATION  
FOR DOORS  
OPENING LESS  
THAN 32" WIDE  
FOR SPECIAL  
LAYOUT



www.abhmfg.com  
 E-mail: abhinfo@abhmfg.com  
 Architectural Builders Hardware Mfg., Inc.  
 1222 Ardmore Ave., Itasca, IL 60143  
 630.875.9900; FAX 800.9FAXABH (932.9224)

©2015 ABH Mfg., Inc.  
printed in USA

# 4000

PAGE 2 OF 2  
REVISED 09-08-15

4000-2-02