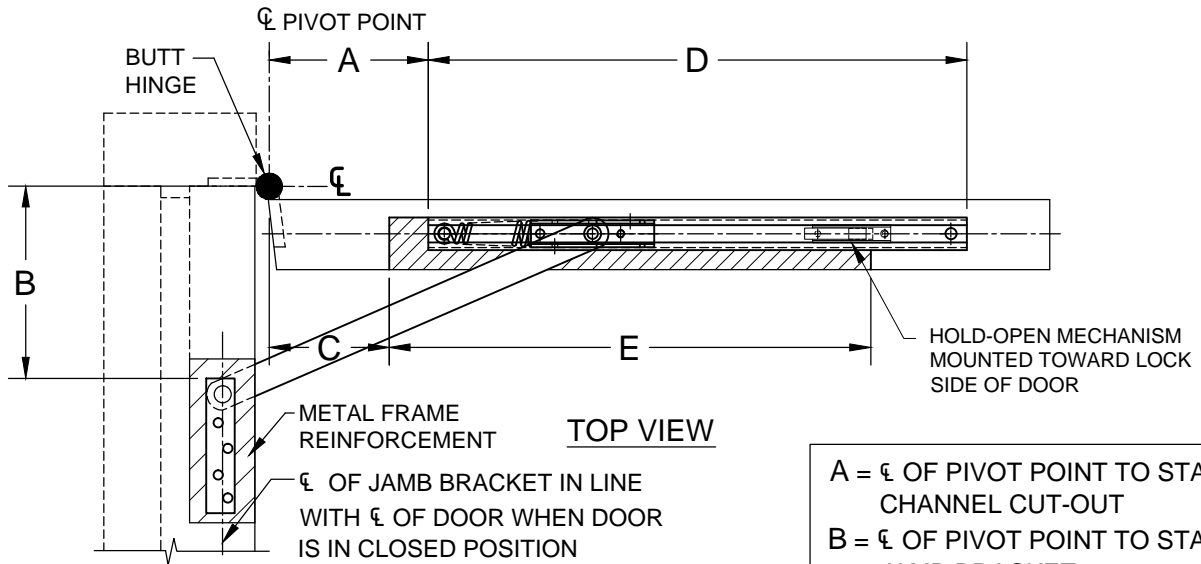
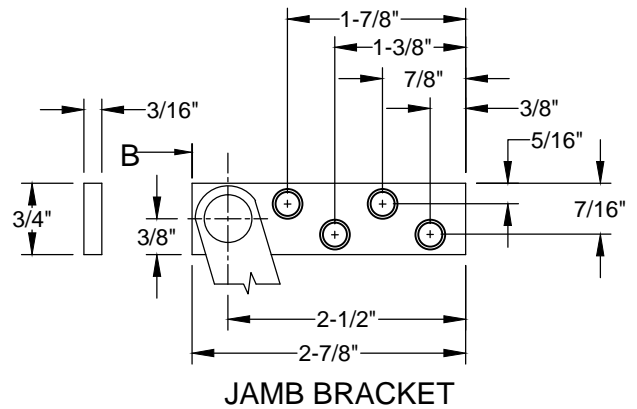
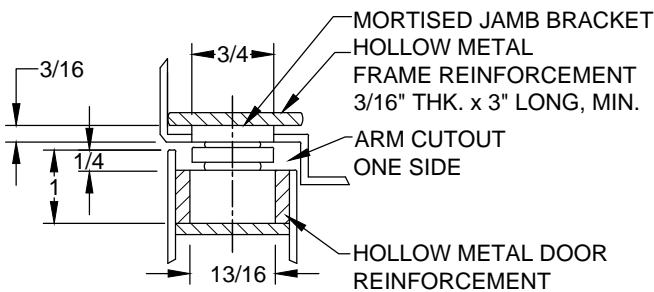


4000HC HOLD CLOSED SERIES - STOP ONLY

CONCEALED MOUNT, MEDIUM DUTY



A = ϕ OF PIVOT POINT TO START OF CHANNEL CUT-OUT
 B = ϕ OF PIVOT POINT TO START OF JAMB BRACKET
 C = ϕ OF PIVOT POINT TO START OF ARM CUT-OUT
 D = CHANNEL LENGTH
 E = ARM CUT-OUT



NOTES:

1. REVERSIBLE/ NON-HANDED
2. FOR SINGLE ACTING DOOR
3. ALWAYS REQUEST LATEST TEMPLATE/ DRAWINGS FOR NEW INSTALLATIONS
4. ALL DRILLING & TAPPING TO BE DONE IN FIELD.
5. DO NOT SCALE DRAWING
6. ALL DIMENSIONS ARE IN INCHES

SCREW DETAIL			
	QTY	WOOD	METAL
JAMB	4	#10 x 1-1/2 FLAT HEAD WOOD SCREW	10-32 x 1/2 FLAT HEAD MACHINE SCREW, UNDER CUT
DOOR	2	#10 x 1-3/4 ROUND HEAD WOOD SCREW	10-32 x 1-1/2 TRUSS HEAD MACHINE SCREW



www.abhmfg.com
 E-mail: abhinfo@abhmfg.com
 Architectural Builders Hardware Mfg., Inc.
 1222 Ardmore Ave., Itasca, IL 60143
 630.875.9900; FAX 800.9FAXABH (932.9224)

©2019 ABH Mfg., Inc.
 printed in USA

4000HC-1-00.DWG
4000HC
 PAGE 1 OF 2
 ISSUED 10-16-19

4000HC HOLD CLOSED SERIES - STOP ONLY
CONCEALED MOUNT

ALL DIMENSIONS ARE IN INCHES.

BUTT HINGE ONLY

FOR OTHER THEN 90° SWING, CUSTOM UNIT REQUIRED.

DEGREE		85° H.O.				90° H.O.				95° H.O.				
MODEL NO.	DOOR OPENING	A	B	C	E	A	B	C	E	A	B	C	E	D
4021HC	18 to 23-15/16	—	—	—	—	2-7/8	3-3/16	0	12-3/4	—	—	—	—	12
4022HC	24 to 29-15/16	—	—	—	—	5-15/16	5	4-1/2	13-1/2	—	—	—	—	14-1/4
4023HC	30 to 35-15/16	—	—	—	—	8-3/8	5-3/4	5	16-1/4	—	—	—	—	15-1/16
4024HC	36 to 48	—	—	—	—	9-7/8	7-1/4	7	17-3/4	—	—	—	—	17

DEGREE		100° H.O.				105° H.O.				110° H.O.				
MODEL NO.	DOOR OPENING	A	B	C	E	A	B	C	E	A	B	C	E	D
4021HC	18 to 23-15/16	—	—	—	—	—	—	—	—	—	—	—	—	—
4022HC	24 to 29-15/16	—	—	—	—	—	—	—	—	—	—	—	—	—
4023HC	30 to 35-15/16	—	—	—	—	—	—	—	—	—	—	—	—	—
4024HC	36 to 48	—	—	—	—	—	—	—	—	—	—	—	—	—

4000HC-2-00.DWG



www.abhmfg.com
 E-mail: abhinfo@abhmfg.com
 Architectural Builders Hardware Mfg., Inc.
 1222 Ardmore Ave., Itasca, IL 60143
 630.875.9900; FAX 800.9FAXABH (932.9224)

©2019 ABH Mfg., Inc.
 printed in USA

4000HC
 PAGE 2 OF 2
 ISSUED 10-16-19