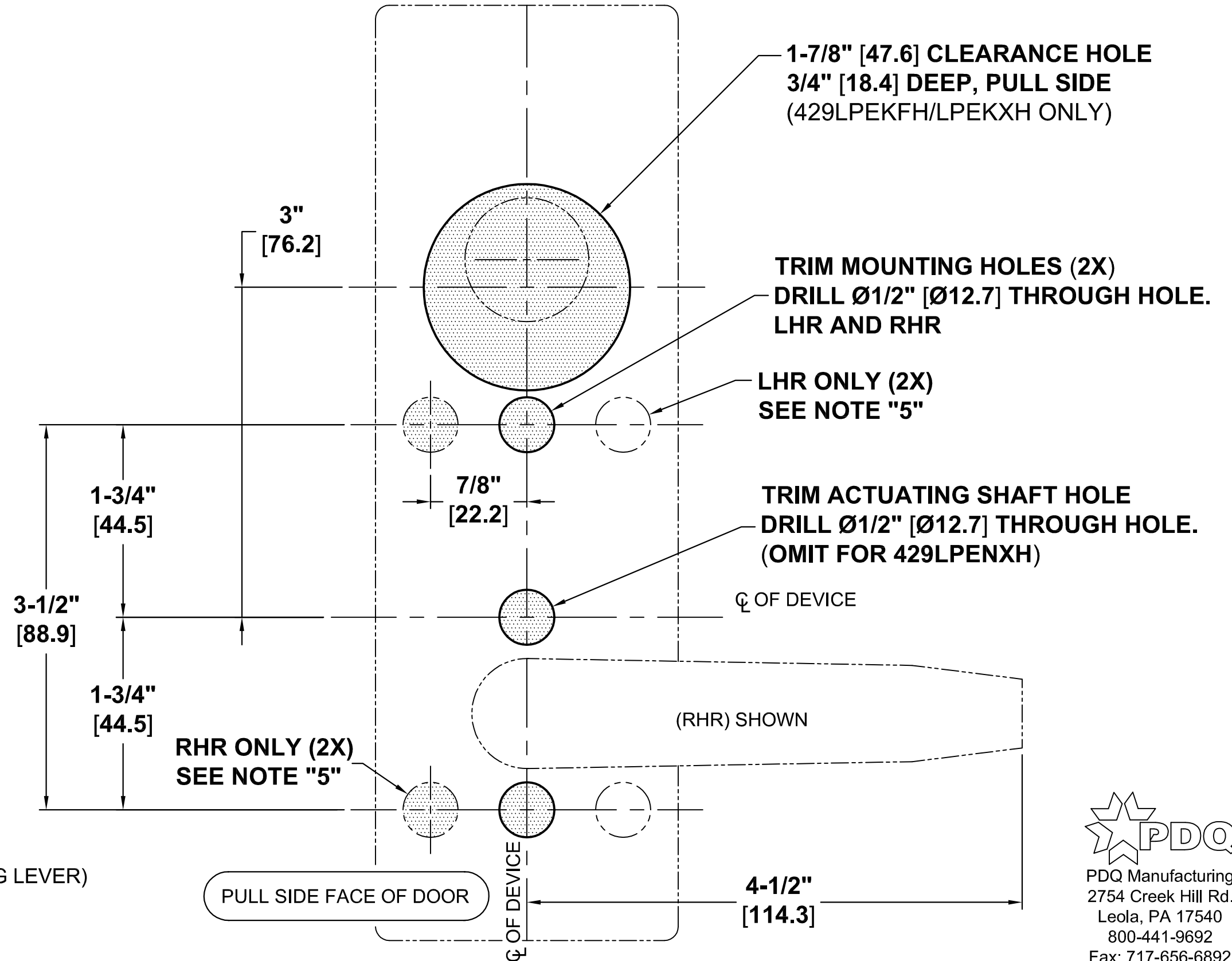


429LPEKFH / LPEKXH / LPENFH / LPENXH ESCUTCHEON TRIM MODELS (WIDE) FOR 4200 SERIES EXIT DEVICES

TEMPLATE: 429304,
 REV. 0 3-22-12

NOTES:

1. VERIFY PRINTED TO SCALE.
2. SEE EXIT DEVICE TEMPLATE FOR BACKSET DIMENSIONS AND REFERENCE POINTS.
3. DIMENSIONS IN **INCHES** [MM].
4. RHR DOOR SHOWN. SEE NOTE "5"
5. TWO ADDITIONAL TRIM HOLES VARY FOR RHR (SHOWN SHADED) VS LHR (UNSHADED) DOORS. CHECK DOOR HAND & MACHINE REQUIRED 2 HOLES ACCORDING TO DOOR HAND.
6. INSTALL & SECURE MORTISE CYLINDER FURNISHED - 429LPEKFH / LPEKXH ONLY.
7. HEIGHT OF ESCUTCHEON = 8-1/2" [215.9]
8. WIDTH OF ESCUTCHEON = 2-3/4" [69.9]
9. THICKNESS OF ESCUTCHEON (NOT INCLUDING LEVER) = 13/16" [20.6]
10. ALWAYS CHECK PDQ WEBSITE FOR MOST RECENT REVISION AT WWW.PDQLOCKS.COM



PDQ Manufacturing
 2754 Creek Hill Rd.
 Leola, PA 17540
 800-441-9692
 Fax: 717-656-6892
www.pdqlocks.com