

4S SERIES ALL SECTIONAL TRIM MODELS

For use with 4200 Series Exit Devices

TEMPLATE: 429306

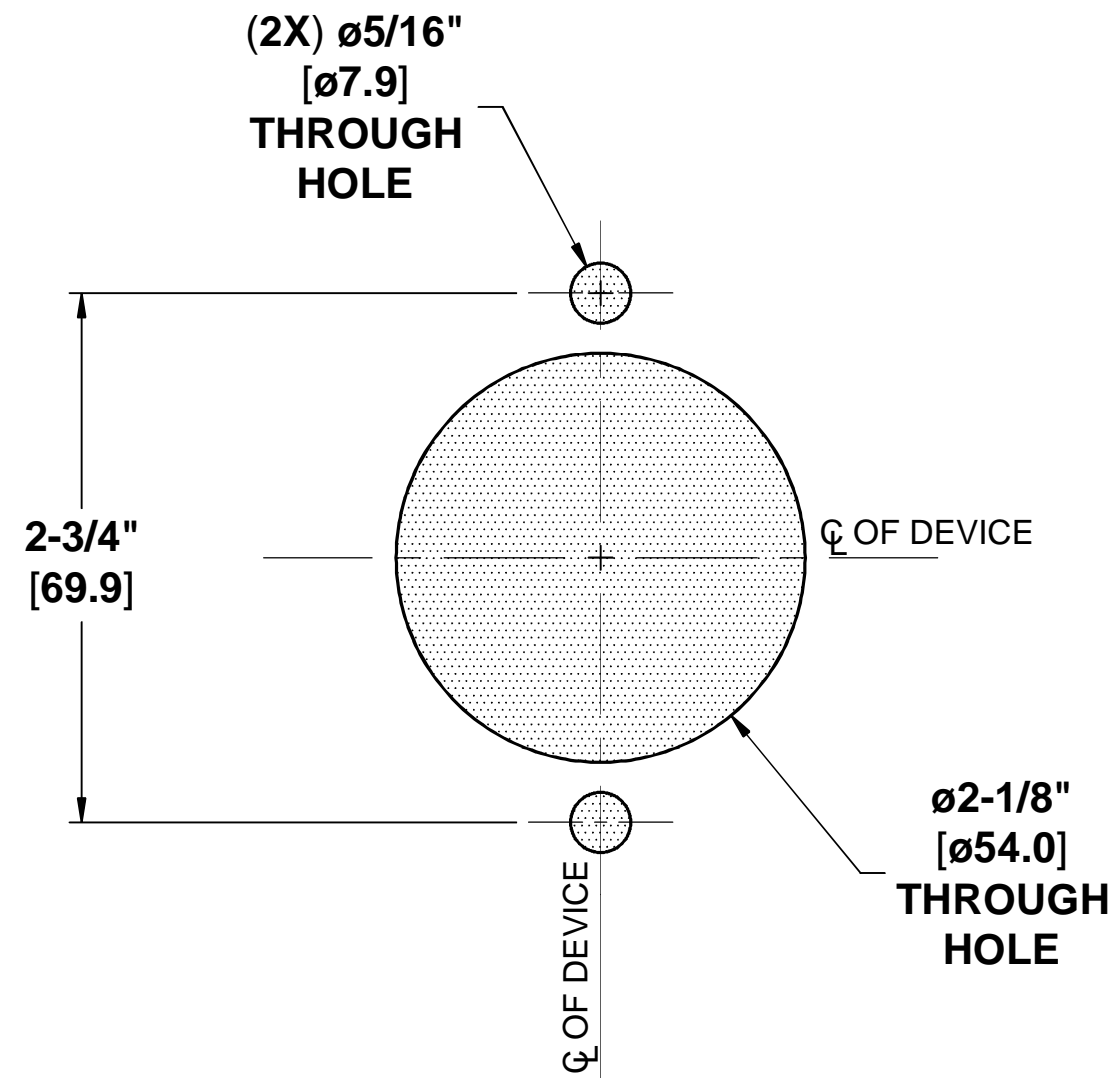
REV. 1 7-14-15

FOR TRIM MODELS:

4S09

4S08

4S14



NOTES:

1. VERIFY PRINTED TO SCALE.
2. DIMENSIONS IN **INCHES** [MM].
3. SEE EXIT DEVICE TEMPLATE FOR BACKSET DIMENSIONS AND REFERENCE POINTS.



PDQ Manufacturing
2754 Creek Hill Rd.
Leola, PA 17540
800-441-9692
Fax: 717-656-6892
www.pdqlocks.com