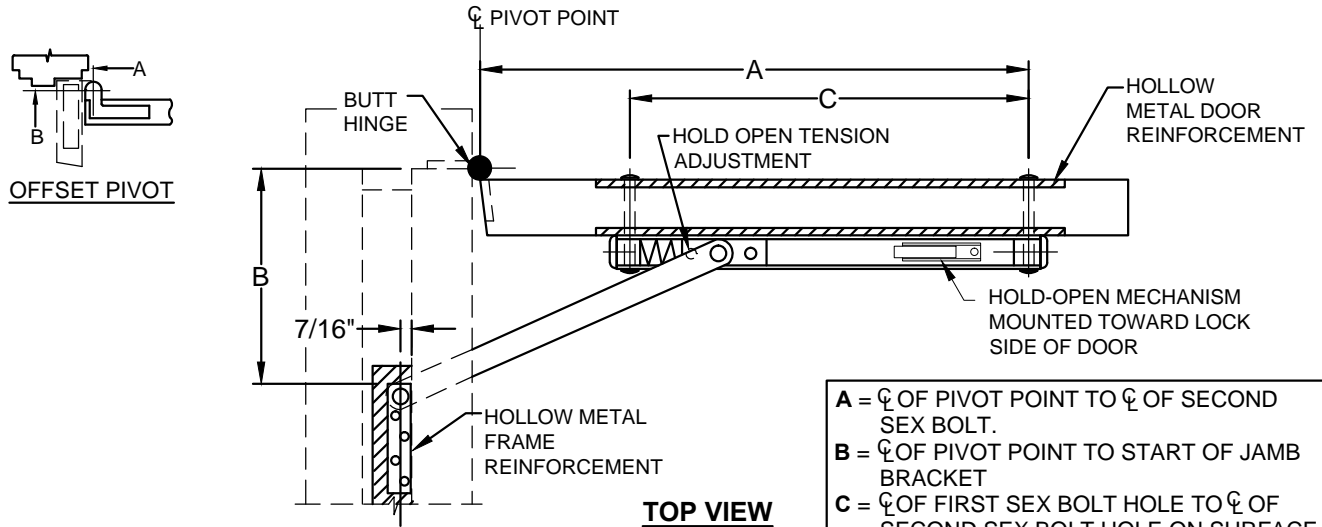
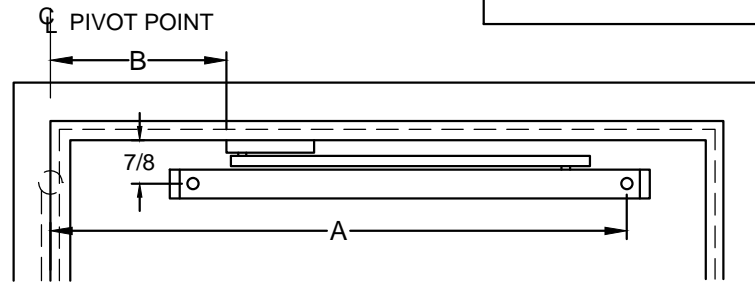


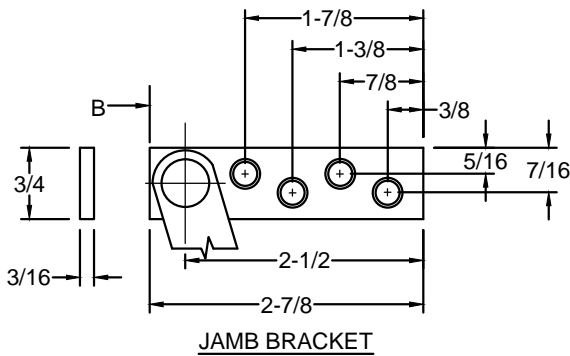
# 4400HC HOLD CLOSED SERIES SURFACE STOPS



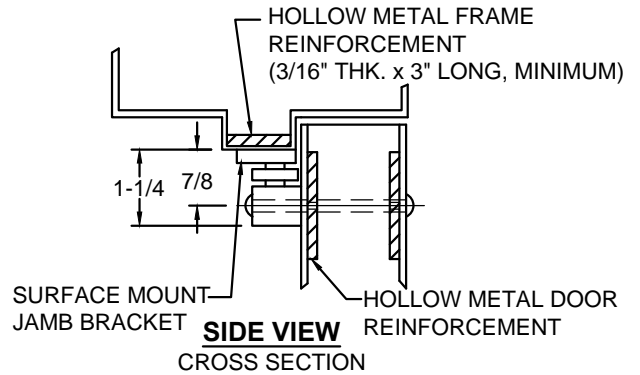
**A** =  $\phi$  OF PIVOT POINT TO  $\phi$  OF SECOND SEX BOLT.  
**B** =  $\phi$  OF PIVOT POINT TO START OF JAMB BRACKET  
**C** =  $\phi$  OF FIRST SEX BOLT HOLE TO  $\phi$  OF SECOND SEX BOLT HOLE ON SURFACE MOUNT CHANNEL



**FRONT VIEW**  
PUSH SIDE OF DOOR



**JAMB BRACKET**



**SIDE VIEW**  
CROSS SECTION

SCREW DETAIL			
	QTY	WOOD	METAL
JAMB	4	● #10 x 1-1/2" FLAT HEAD WOOD SCREW	● 10-32 x 1/2" FLAT HEAD MACHINE SCREW
DOOR	2	● 10-32 x 1-1/2" TRUSS HEAD MACHINE SCREW ● 5/16" DIA. SEX BOLT	

**NOTES:**

1. REVERSIBLE/ NON - HANDED
2. FOR SINGLE ACTING DOORS ONLY
3. ALL DRILLING & TAPPING TO BE DONE IN FIELD.
4. ALWAYS REQUEST LATEST TEMPLATE/ DRAWING FOR NEW INSTALLATIONS.
5. ALL DIMENSIONS ARE IN INCHES.
6. DRAWING IS NOT TO SCALE



www.abhmfg.com  
 E-mail: abhinfo@abhmfg.com  
 Architectural Builders Hardware Mfg., Inc.  
 1222 Ardmore Ave., Itasca, IL 60143  
 630.875.9900; FAX 800.9FAXABH (932.9224)

©2016 ABH Mfg., Inc.  
 printed in USA

**4400HC**

PAGE 1 OF 2  
ISSUED 4-28-16

# 4400HC HOLD CLOSED SERIES SURFACE FRICTION HOLDERS & STOPS

## SURFACE MOUNT

- 4420 STOP
- 4430 FRICTION

1. FOR DEAD STOP ADD 3/4" TO "A" DIMENSION
2. ALL DIMENSIONS ARE IN INCHES.

\* BUTT & OFFSET PIVOT ONLY

DOOR THICKNESS 1-3/4" BUTT HINGE, OFFSET PIVOT	DEGREE		85° H.O.		90° H.O.		95° H.O.		100° H.O.		105° H.O.		110° H.O.		
	MODEL NO.	DOOR OPENING	A	B	A	B	A	B	A	B	A	B	A	B	C
●4421HC	18" TO 23-15/16"	16-9/16*	5-9/16*	15-13/16*	4-13/16*	15-9/16*	4-1/2*	—	—	—	—	—	—	14-7/16	
●4422HC	24" TO 29-15/16"	21-11/16	5-15/16	21-1/4	5-9/16	20-15/16	5-3/16	20-11/16	4-7/8	20-3/8	4-11/16	21-3/8	4-7/16	15-3/16	
●4423HC	30" TO 35-15/16"	25-1/4	7	24-7/8	6-5/8	24-5/8	6-3/8	24-3/16	5-15/16	23-7/8	5-5/8	23-5/8	5-3/8	17-7/16	
●4424HC	36" TO 48"	27-13/16	7-3/4	27-7/16	7-1/4	27	6-7/8	26-11/16	6-7/16	26-5/16	6-3/16	26	5-7/8	18-3/16	