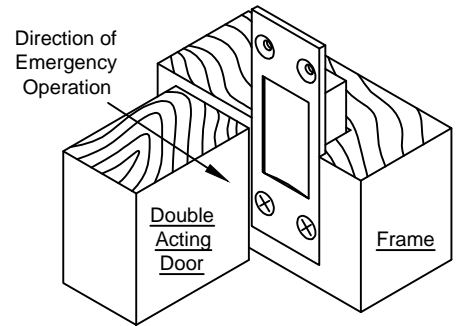
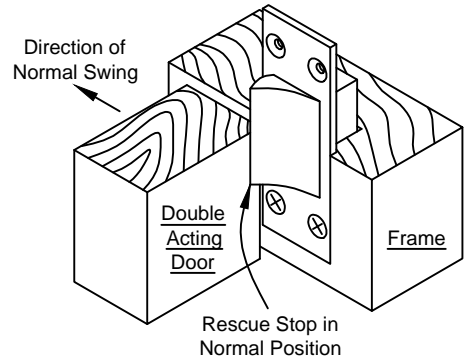
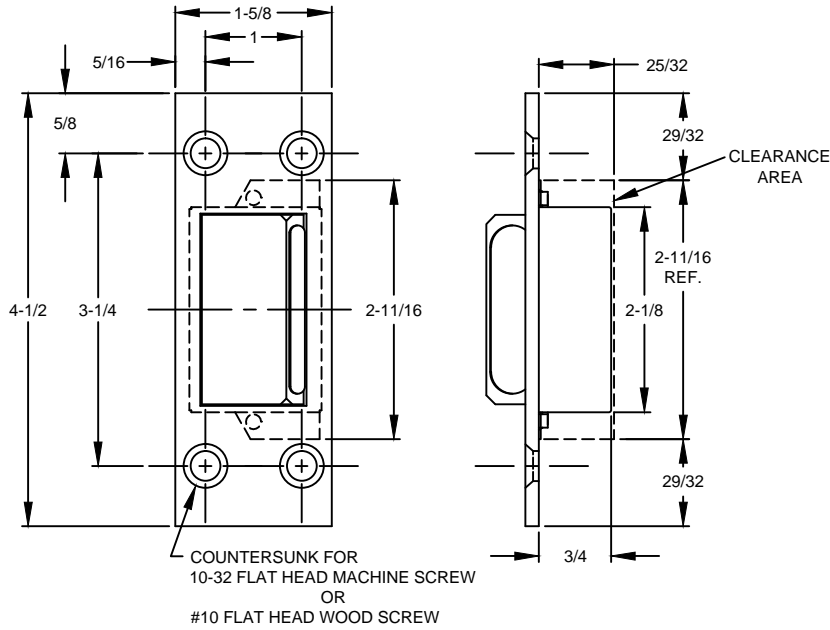


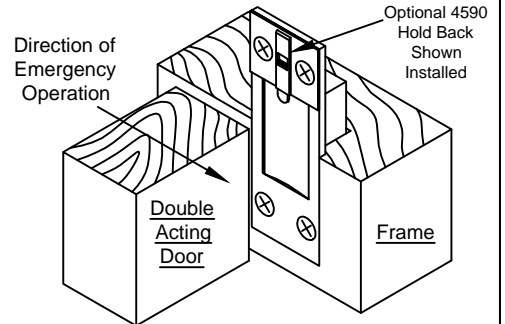
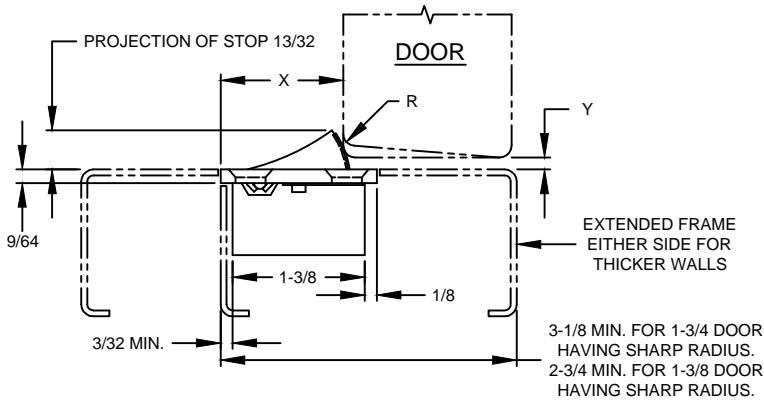
4590 RESCUE STOP



Rescue Stop may be Depressed Manually to allow Door to Open in Opposite Direction OR

By using the Optional Hold Back Plate & Clip by Sliding Down the Hold Back Clip (Shown below)

DOOR WITH SQUARE OR BEVELED STILE



	"R" RADIUS AT EDGE OF STILE	"X" DIMENSION WHEN CLEARANCE "Y" = 1/8	"X" DIMENSION WHEN CLEARANCE "Y" = 3/32		
DOORS WITH SQUARE STILES (ANY THICKNESS)	SHARP	1-1/4	1-17/64		
	1/32	1-1/4	1-17/64		
	1/16	1-15/64	1-1/4		
	3/32	1-7/32	1-15/64		
	1/8	1-7/32	1-7/32		
DOORS WITH BEVELED STILES (1/8" IN 2" BEVEL)		1-3/4" DOORS	1-3/8" DOORS	1-3/4" DOORS	1-3/8" DOORS
	SHARP	1-13/64	1-1/4	1-7/32	1-17/64
	1/32	1-13/64	1-1/4	1-7/32	1-17/64
	1/16	1-3/16	1-15/64	1-13/64	1-1/4
	3/32	1-11/64	1-7/32	1-3/16	1-15/64
	1/8	1-5/32	1-7/32	1-11/64	1-15/64

NOTES:

1. SUGGESTED LOCATION 6" TO 10" ABOVE LATCH.
2. USED WITH CENTER HUNG DOOR PIVOT.
3. DO NOT SCALE DRAWING.
4. ALL DIMENSIONS ARE IN INCHES.

