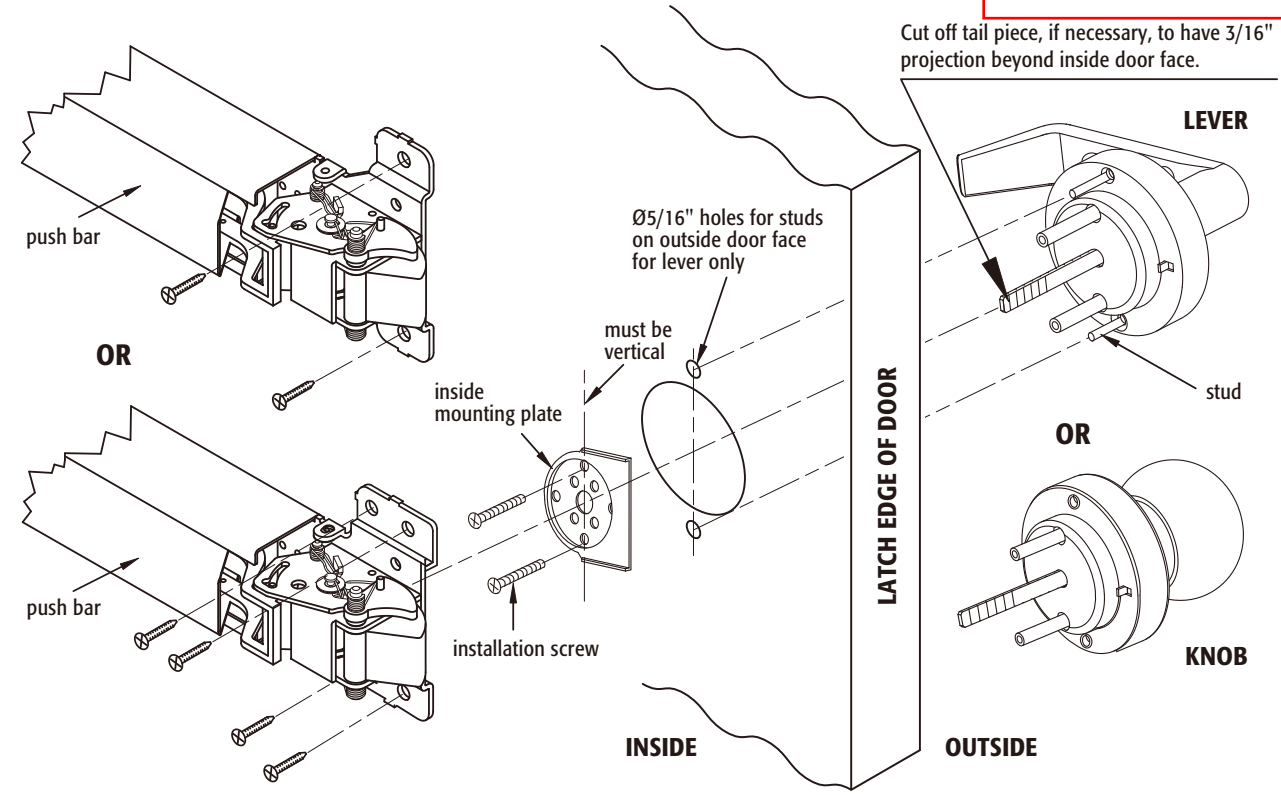
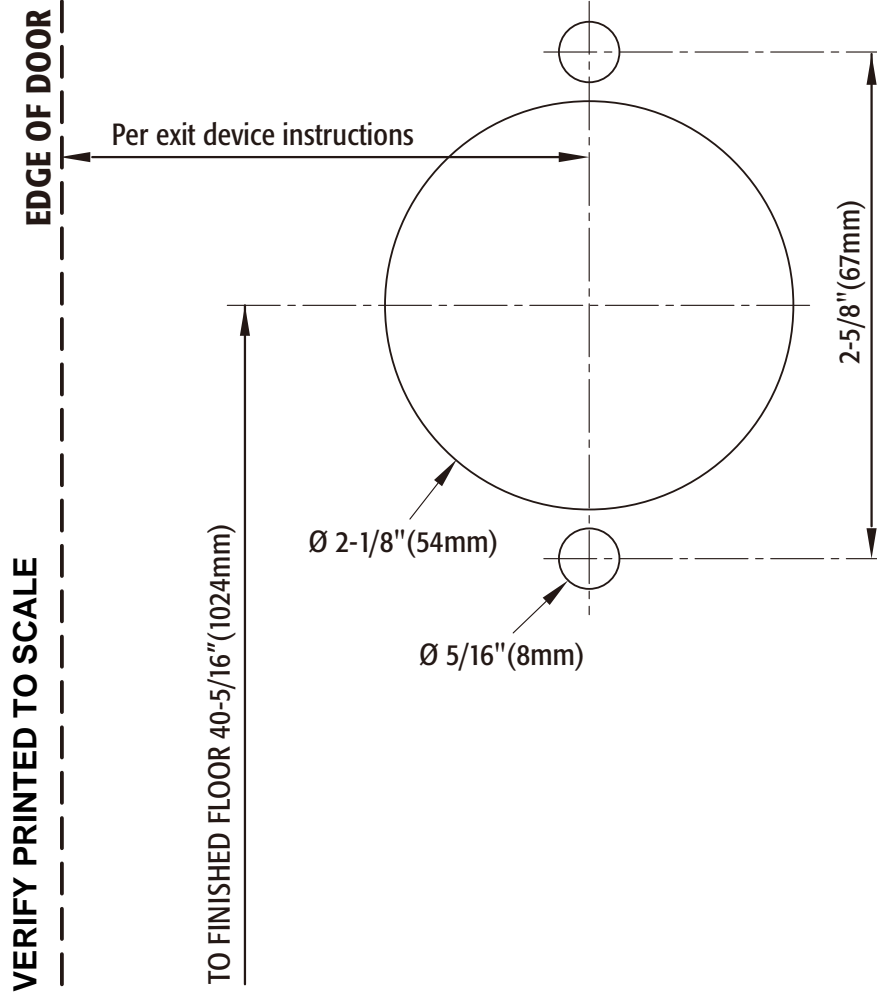


OUTSIDE KNOB(LEVER) INSTALLATION INSTRUCTIONS

1. Follow the drilling instructions on template. Drill 2-1/8" holes on inside and outside door faces.
2. Follow the drilling instructions on template. Drill (2) 5/16" holes on outside door face for lever only.
3. Insert knob (or lever) tail piece through 2-1/8" hole on outside door face.
4. Cut off tail piece, if necessary, to have 3/16" projection beyond inside door face.
5. Place inside mounting plate on inside door face and tighten 2 installation screws securely.
6. Install push bar.

Notice: Do not remove the stud of the lever when connected with Exit Panic Device.

**4S02, 08, 09, 14
429CQK, CQN,
LPS, LPK, LPN**



VERIFY PRINTED TO SCALE

