

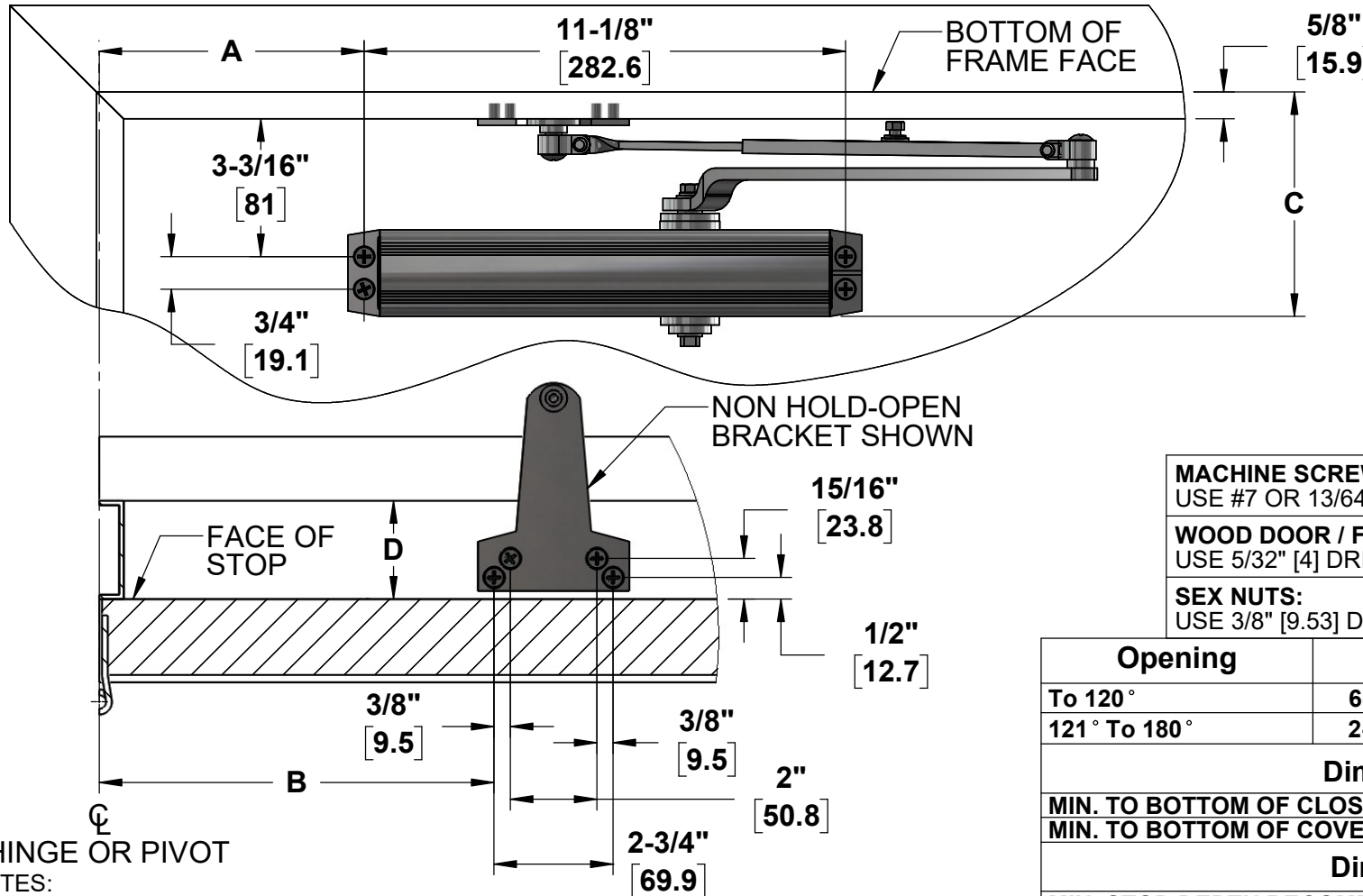
5100 DOOR CLOSER MODELS

PARALLEL ARM INSTALLATION - PUSH SIDE

NON-HOLD OPEN AND HOLD OPEN APPLICATIONS - 180° MAX. CONDITIONS PERMITTING*

TEMPLATE: 519303,

REV. 1 01-08-18



MACHINE SCREWS:
USE #7 OR 13/64" [5.11] DRILL AND 1/4-20 TAP

WOOD DOOR / FRAME SCREWS:
USE 5/32" [4] DRILL

SEX NUTS:
USE 3/8" [9.53] DRILL (CLOSER TO DOOR)

Opening	Dim. A	Dim. B
To 120°	6-1/8" [155.6]	9-1/8" [231.8]
121° To 180°	2-9/16" [65.1]	5-9/16" [141.3]
Dim. C*		
MIN. TO BOTTOM OF CLOSER		3-1/2" [88.9]
MIN. TO BOTTOM OF COVER		5-1/2" [114.3]
Dim. D		
MIN. STOP DEPTH RECOMMENDED		1-1/4" [31.8]

* MINIMUM RAIL DIMENSIONS BASED ON 5/8" [15.9] STOP HEIGHT AND 1/8" [3.2] TOP DOOR GAP.

NOTES:

- DRAWING IS NOT TO SCALE.
- LEFT HAND DOOR SHOWN. FOR RIGHT HAND DOOR, REVERSE IMAGE.
- DIMENSIONS BASED ON 4-1/2" X 4-1/2" BUTT HINGES.
- DOOR SWING MAY BE ALTERED DUE TO OTHER LIMITING CONDITIONS.*
- CAUTION: SEX NUTS MAY BE REQUIRED FOR UNREINFORCED DOORS OR COMPOSITE FIRE DOORS. CONSULT MANUFACTURER'S RECOMMENDATIONS.
- HOLD OPEN ARMS CAN NOT BE USED ON LABELED FIRE DOORS.
- PROJECTION OF FULL COVER = 2-1/2" [63.5].
- ALWAYS CHECK PDQ WEB SITE FOR THE MOST RECENT REVISION AT WWW.PDQLOCKS.COM.



PDQ Manufacturing
2230 Embassy Dr.
Lancaster, PA 17603
833-273-7832
833-2 PDQTECH
www.pdqlocks.com