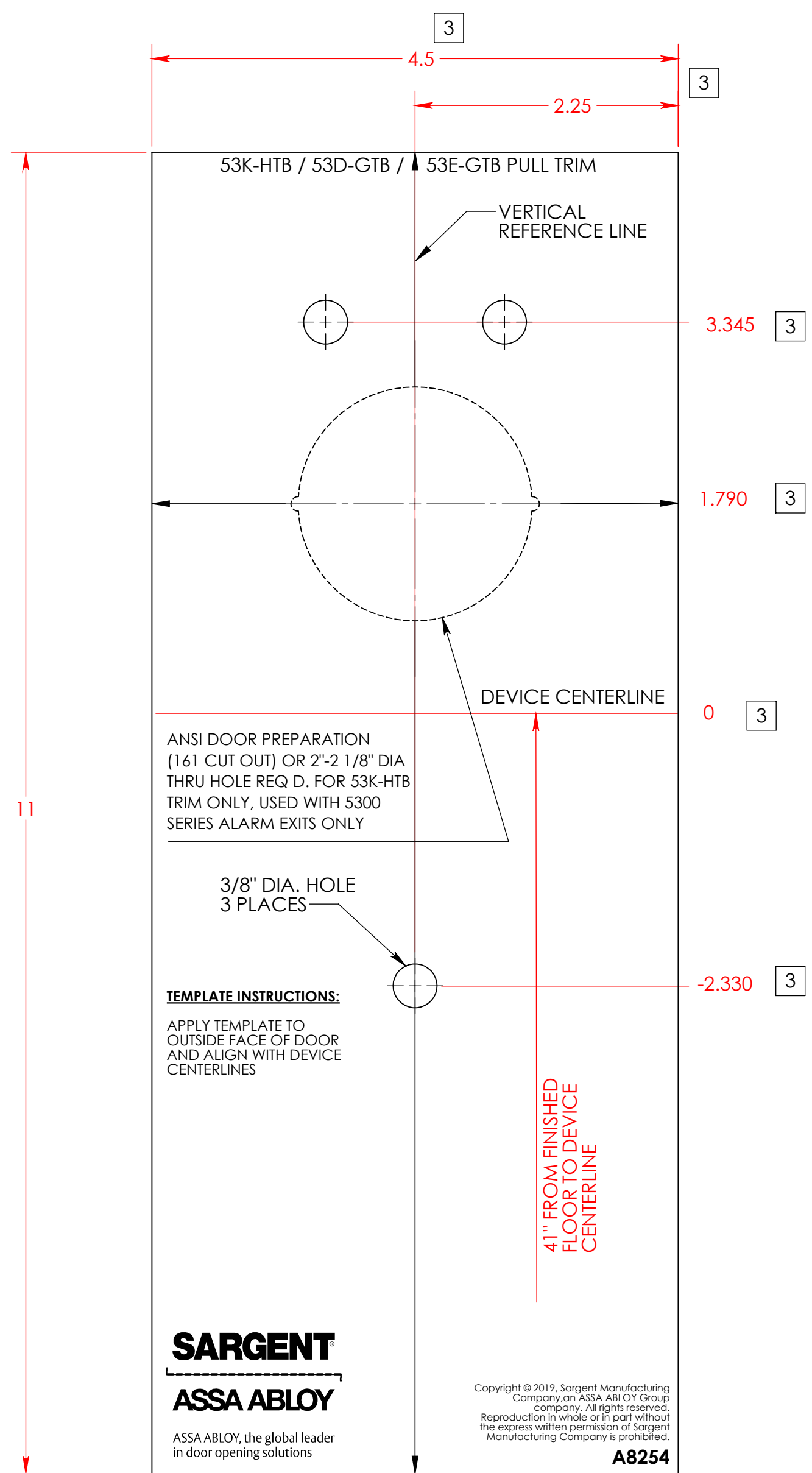


REVISIONS				
ZONE	REV.	DESCRIPTION	DATE	ENG
	2	ORIGINAL RELEASE PER EN722495	7/29/2019	AM
D3, E3, F3, G3, H4	3	REVISED PER EN722913 1. FIXED CENTERLINE POSITION INSIDE CUTLINE 2. CHANGE CYLINDER AND HOLES POSITIONS 3. CHANGE DIMENSION FROM 5 TO 4.5 4. CHANGE DIMENSION FROM 2.5 TO 2.25	24/10/2019	



SARGENT
ASSA ABLOY

ASSA ABLOY, the global leader in door opening solutions

Copyright © 2019, Sargent Manufacturing Company, an ASSA ABLOY Group company. All rights reserved. Reproduction in whole or in part without the express written permission of Sargent Manufacturing Company is prohibited.

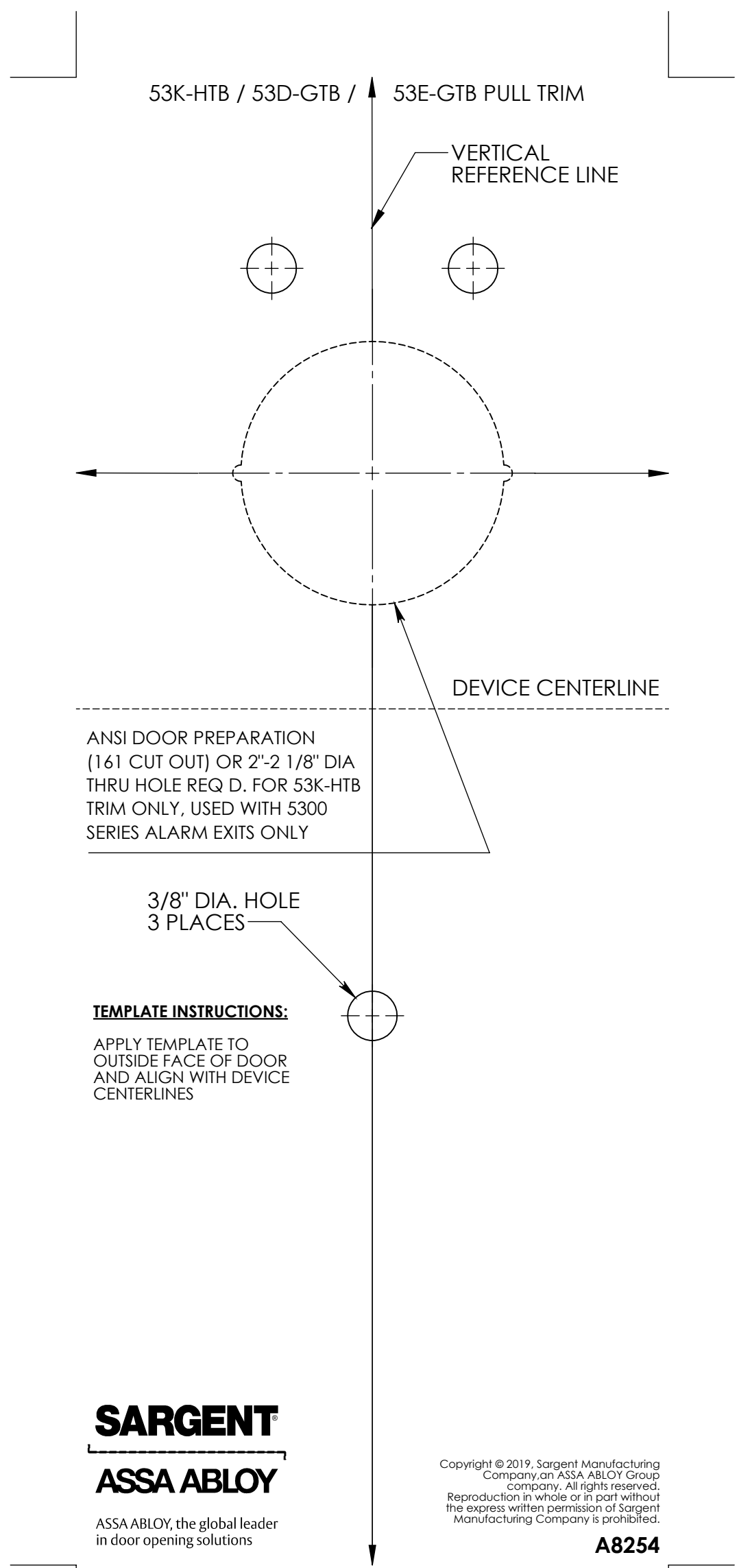
A8254

- NOTES:
1. PRINK BLACK INK ON 58 1/2LB. WHITE INDEX STOCK
 2. PRINT BACK TO BACK ON SINGLE SHEET
 3. ADVERTISING DEPT. TO DETERMINE TYPE SIZE, STYLE AND SPACING. DIMENSIONS SHALL BE ACCURATE TO ± 1/64" ON FINAL TEMPLATE
 4. ORIGINAL ARTWORK WILL BE SUPPLIED BY SARGENT
 5. ALL DIMENSIONS THAT ARE THE COLOR RED (DECIMAL) ARE FOR REFERENCE AND WILL NOT APPEAR ON ACTUAL TEMPLATE
 6. FOR VERSION TO BE PRINTED SEE SHEET 2

NOTICE TO PERSONS RECEIVING THIS DRAWING AND/OR TECHNICAL INFORMATION Sargent Manufacturing Company claims proprietary rights to the material disclosed herein. This drawing and/or technical information is issued in confidence for engineering information only and may not be reproduced or used to manufacture anything shown or referred to herein without direct written permission from Sargent Manufacturing Company to the user. This drawing and/or technical information is the property of Sargent Manufacturing Company and is loaned for mutual assistance to be returned when its purpose has been served.		UNLESS OTHERWISE SPECIFIED TOLERANCES X.X ± .03 X.XX ± .01 X.XXX ± .005 ANGLES ± 0°30' FRACTIONS ± 1/64 SURFACE FINISH ✓		DRAWING COMPLIES WITH ASME Y14.5M - 1994 INCH MM THIRD ANGLE PROJECTION		MATERIAL SEE NOTES HEAT TREATMENT		53 SERIES DOOR TEMPLATE EXIT DEVICES	
ASSA ABLOY Sargent Manufacturing Company New Haven, CT		SURFACE/FINISH MASS 1.924 lb VOLUME 53.266 in³ SURFACE AREA 141.451 in²		DATE CREATED 06/21/2019 DRAWN BY AM DESIGNED BY AM		DOCUMENT ID D001063512-000 SCALE 1:1 SIZE C		DRAWING NUMBER (ALT ID) A8254 REV 3	

REVISIONS				
ZONE	REV.	DESCRIPTION	DATE	ENG

SEE SHEET 1



ANSI DOOR PREPARATION
(161 CUT OUT) OR 2'-2 1/8" DIA
THRU HOLE REQ. D. FOR 53K-HTB
TRIM ONLY, USED WITH 5300
SERIES ALARM EXITS ONLY

3/8" DIA. HOLE
3 PLACES

TEMPLATE INSTRUCTIONS:
APPLY TEMPLATE TO
OUTSIDE FACE OF DOOR
AND ALIGN WITH DEVICE
CENTERLINES

SARGENT
ASSA ABLOY
ASSA ABLOY, the global leader
in door opening solutions

Copyright © 2019, Sargent Manufacturing
Company, an ASSA ABLOY Group
company. All rights reserved.
Reproduction in whole or in part without
the express written permission of Sargent
Manufacturing Company is prohibited.

A8254

NOTE:
1. THIS SHEET IS FOR PRINT SHOP ONLY. FOR DIMENSIONS, REVISIONS, NOTES, ETC. SEE SHEET 1

NOTICE TO PERSONS RECEIVING THIS DRAWING AND/OR TECHNICAL INFORMATION Sargent Manufacturing Company claims proprietary rights to the material disclosed herein. This drawing and/or technical information is issued in confidence for engineering information only and may not be reproduced or used to manufacture anything shown or referred to herein without direct written permission from Sargent Manufacturing Company to the user. This drawing and/or technical information is the property of Sargent Manufacturing Company and is loaned for mutual assistance to be returned when its purpose has been served.		UNLESS OTHERWISE SPECIFIED TOLERANCES X.X ± .03 X.XX ± .01 X.XXX ± .005 ANGLES ± 0°30' FRACTIONS ± 1/64 SURFACE FINISH		DRAWING COMPLIES WITH ASME Y14.5M - 1994 INCH MM THIRD ANGLE PROJECTION		MATERIAL SEE NOTES HEAT TREATMENT		53 SERIES DOOR TEMPLATE EXIT DEVICES		
ASSA ABLOY Sargent Manufacturing Company New Haven, CT		SURFACE/FINISH		DATE CREATED 06/21/2019		DRAWN BY AM		DESIGNED BY AM		
MASS 1.924 lb		VOLUME 53.266 in ³		SURFACE AREA 141.451 in ²		DOCUMENT ID D001063512-000		SCALE 1:1		
CONFIGURATION Default		LEGACY ID		DRAWING NUMBER (ALT ID) A8254		SIZE C		REV 3		