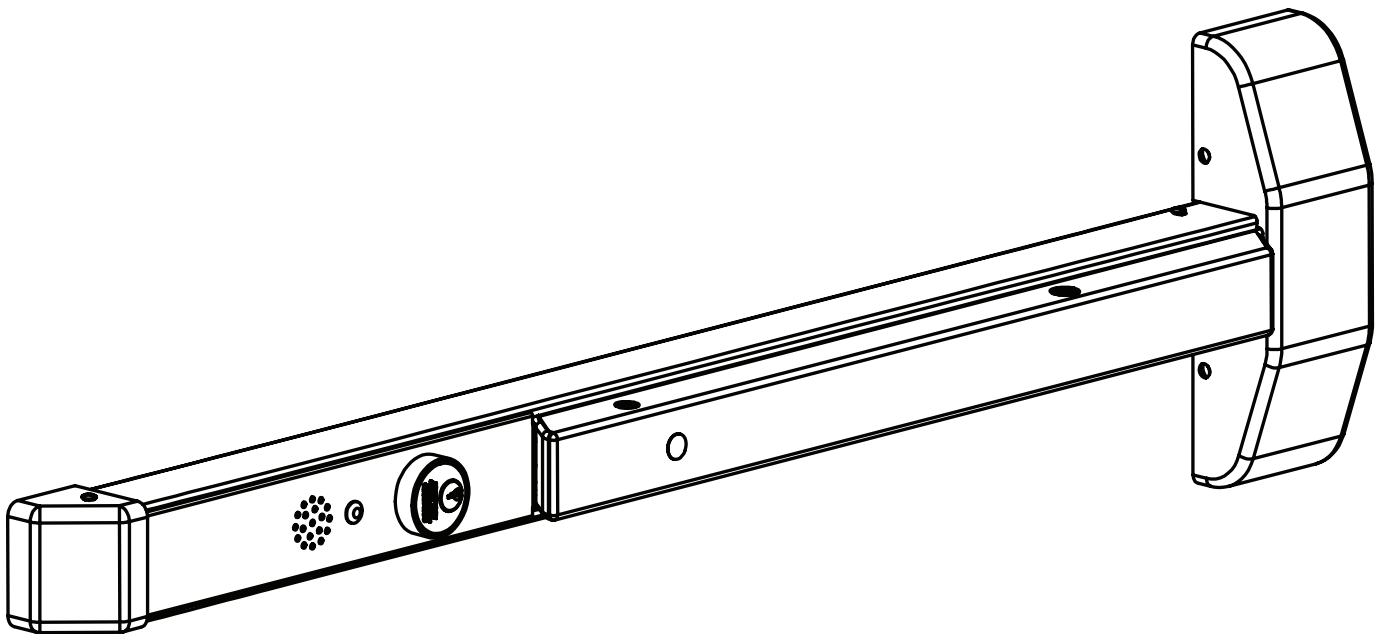


5300 Series

Alarmed Exit Devices



WARNING

This product can expose you to lead which is known to the state of California to cause cancer and birth defects or other reproductive harm. For more information go to www.P65warnings.ca.gov.

ATTENTION INSTALLER

Disconnect all input power before beginning installation to prevent electrical shock and equipment damage.

TOC	Table of Contents	
1	General Description	3
2	Contents	3
a	Package Contents	3
b	Miscellaneous Parts	4
3	Dip Switch (SW-2, 6-position)	4
4	AL - Circuit Board	5
5	Installation Instructions	6
6	Apply Rail Assembly	7
7	Cylinder Installation	7
a	Door Preparation	7
b	Add or Remove Cylinder	8
c	Installation and Orientation of Cylinder	8
8	Alarmed Exit (5300) Standard Operating Instructions	9
a	Arm Alarm	9
b	Security/Tamper Violation	9
c	Low Battery Alert	9
9	Optional Features	10

1

General Description

The SARGENT Alarmed Exit is designed for areas that require an alarm to sound upon exiting. Once armed, any push rail movement will activate the horn in the push rail. The horn will continue to sound for two (2) minutes and shut off automatically. The LED will flash, indicating a violation has occurred.

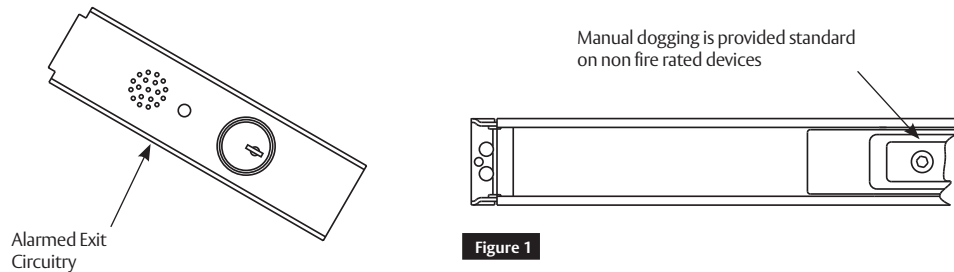


Figure 1

2

Contents

a

Package Contents

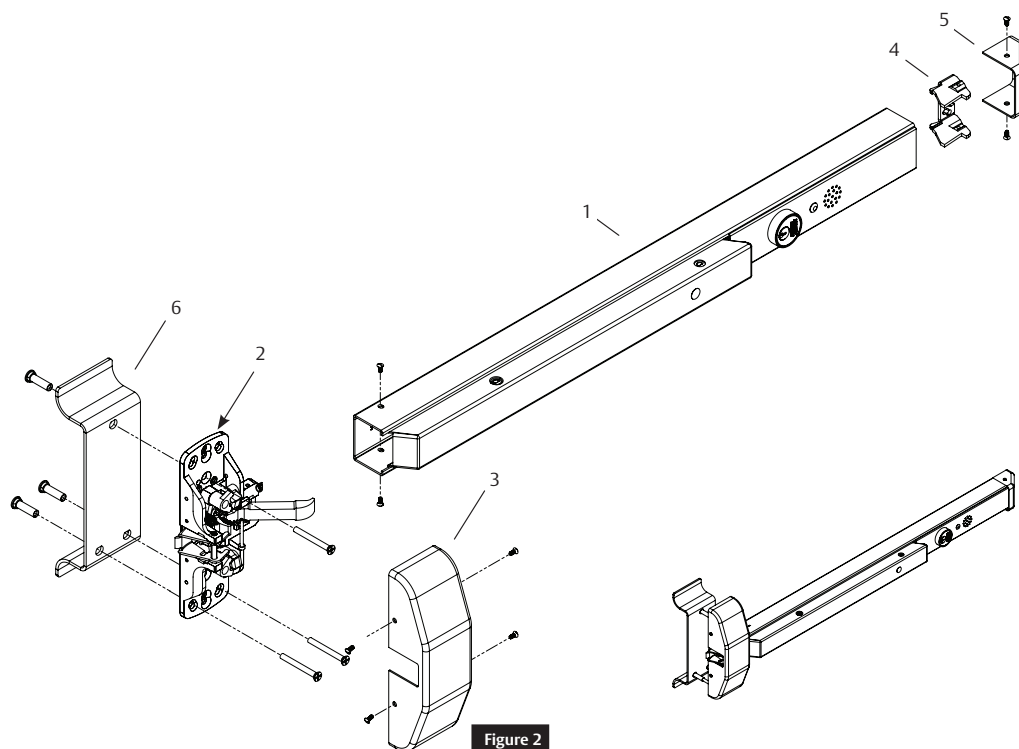


Figure 2

Figure 2	
1	Mounting Rail, Wilde Stile
2	Chassis Assembly (Wide)
3	5300 Cover, Chassis
4	End Cap Bracket
5	End Cap
6	Pull (Sold Separately)

2

Contents (cont.)

b

Miscellaneous Parts

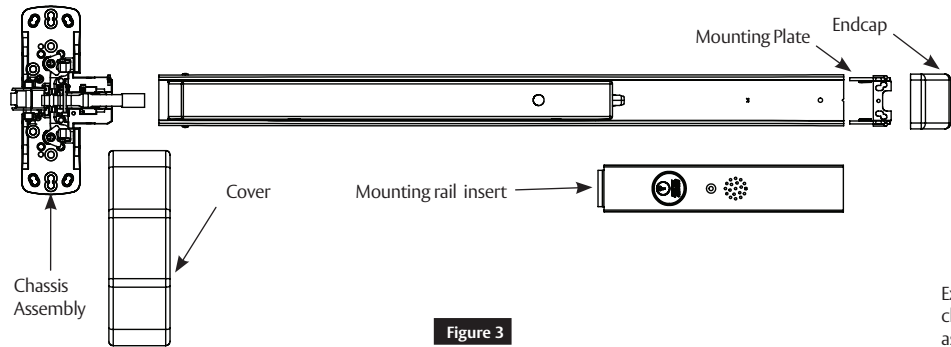


Figure 3

Exit device
chassis and rail
assembly shown

3

Dip Switch (SW-2, 6-position)

Factory settings shown.

1. DS-1 = OFF, DS-2 = OFF - REX / Passage Delay (set to 7 seconds).
2. DS-3 = OFF, DS-4 = OFF - Automatic Alarm Reset (set to 2 minutes).
3. DS-5 = ON - Selects LED color (Armed = Green, Violation = Red, Passage = Yellow).
4. DS-6 = ON - Monitor Relay is enabled (will activate when rail is violated).

4

AL - Circuit Board

Printed Circuit Board:

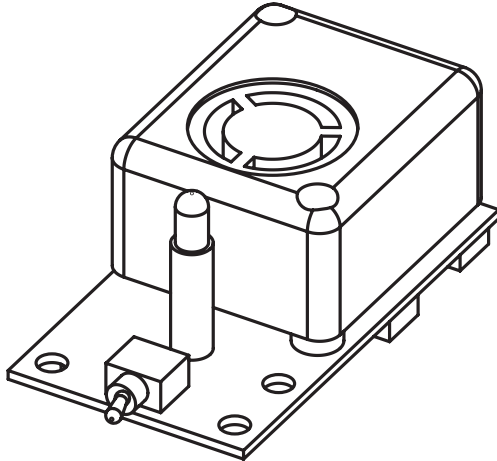


Figure 4

Note

SW-1, Arm/Disarm Switch shown in ON (armed) position.

Insert with circuit board:

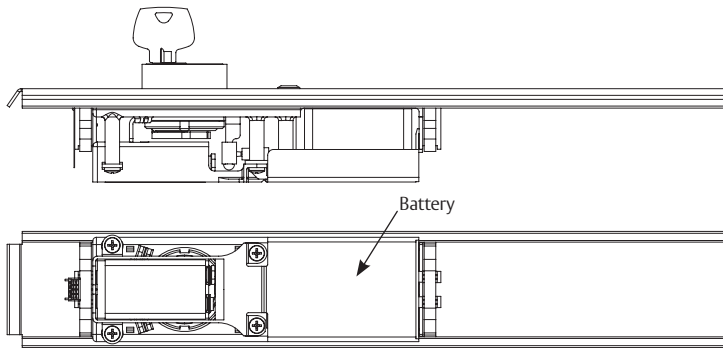


Figure 5

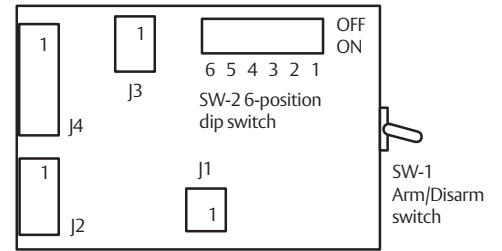


Figure 6

5

Installation Instructions

- These instructions are for the 5300 Series exit device, which is designed for areas requiring field selectable time delay and automatic alarm reset options.
- Verify hand and bevel of door. Exit devices are always reverse bevel and are mounted on inside of door.

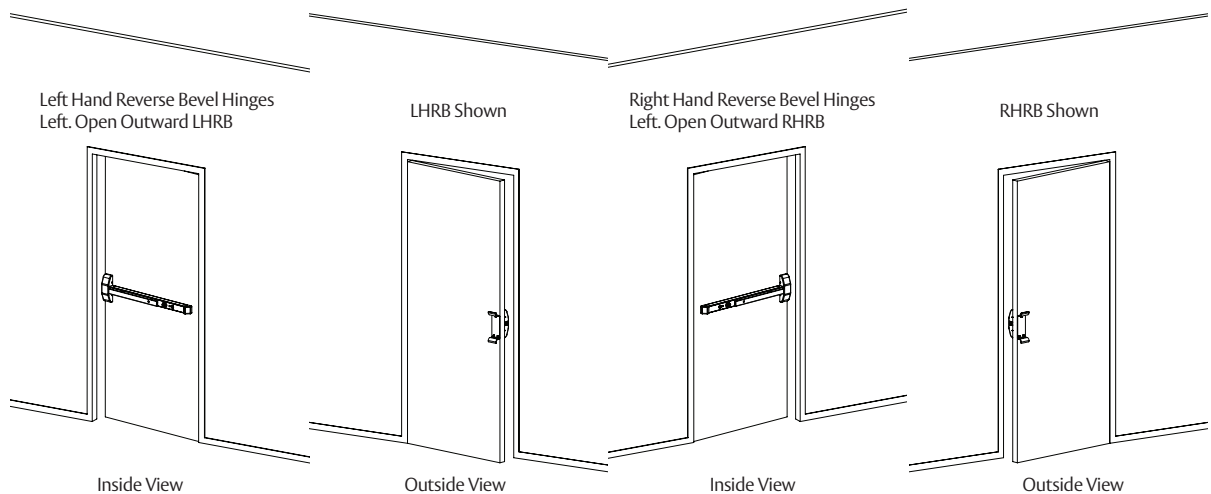


Figure 7

5. Installation must be performed by a trained and experienced service person.
6. 9V battery operated.
7. No external wires.

Note:

For retrofit applications, refer to retrofit instructions.

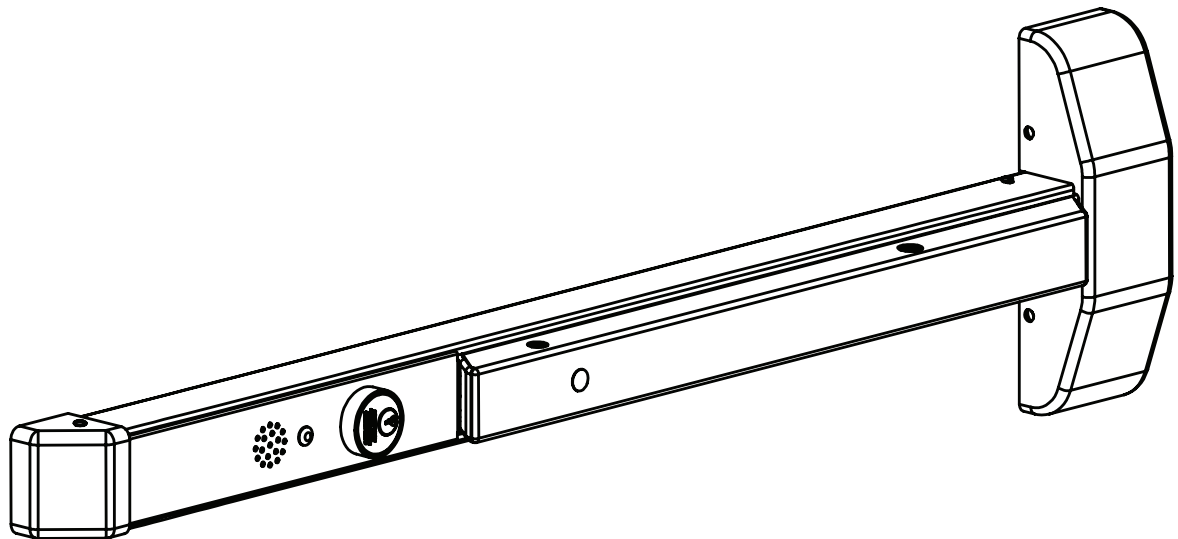


Figure 8

6

Apply Rail Assembly

1. Depress lift arm into rail assembly and slide rail onto chassis.
2. Attach rail assembly to chassis with two (2) #8 truss head machine screws. Do not tighten screws (Figure 9).
3. Secure chassis to door with four (4) #10 flat head screws. (Figure 8)
4. Level rail.
5. Place mounting plate tight against rail and attach to door with two (2) #10 round head screws.
6. Tighten all screws securely (Figure 10).

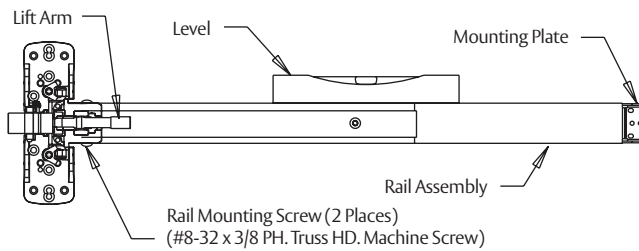


Figure 9

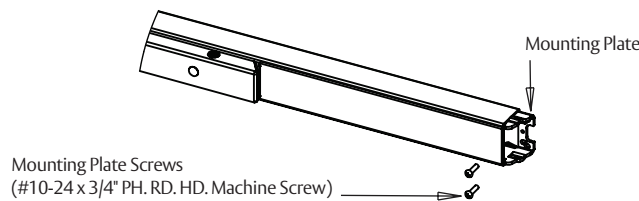


Figure 10

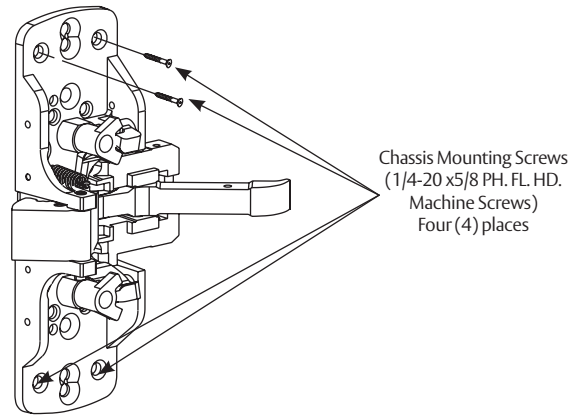


Figure 11

7

Cylinder Installation

a

Door Preparation

1. Prepare door according to template.
2. Verify size 41 cylinder is installed in rail insert with collar prior to installing exit device on door.

NOTE: Use caution not to damage wires when installing cylinder nut.

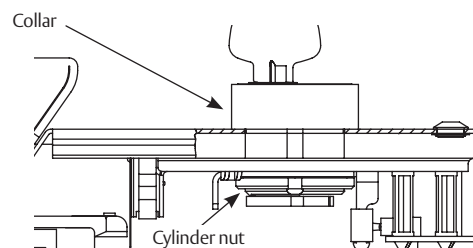
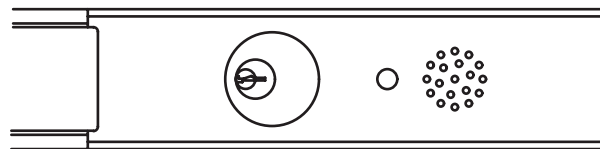


Figure 12

Side View. Battery holder not shown.

Use caution not to damage wires when installing cylinder nut.

7

Cylinder Installation (cont.)

b

Add or Remove Cylinder

3. Remove insert assembly from rail by sliding toward rail end.

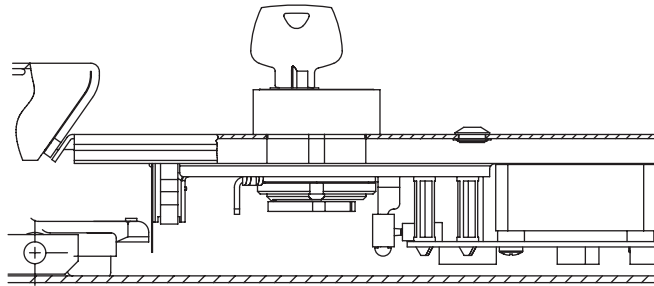


Figure 13

c

Installation and Orientation of Cylinder

1. Slide cylinder through collar into insert as shown.
2. Note orientation of cylinder.
3. Secure cylinder with cylinder nut, tightening firmly.
4. Operate cylinder and verify cam is operating switch properly.

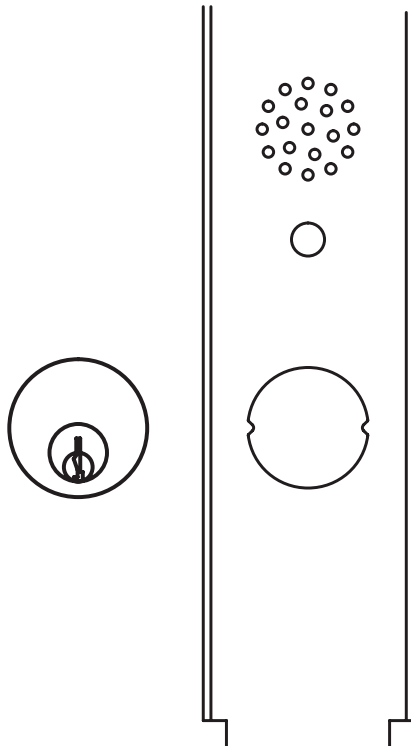


Figure 14

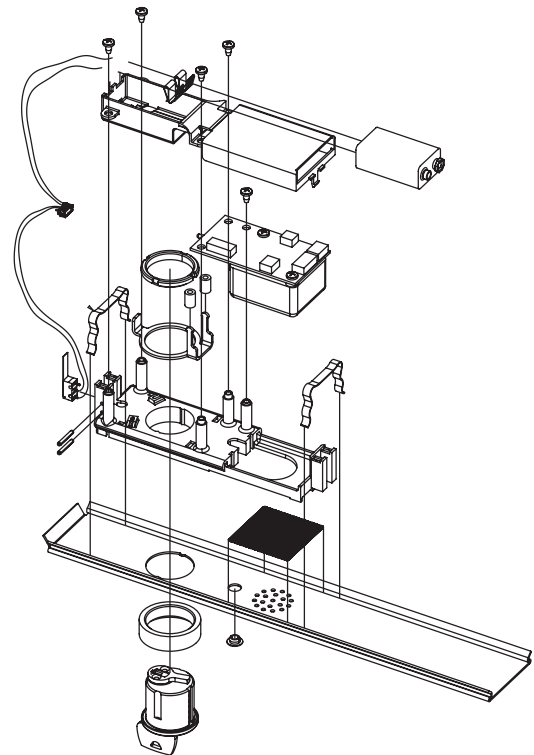


Figure 15

8

Alarmed Exit (5300) Standard Operating Instructions

a

Arm Alarm

Turn key clockwise. Yellow PASSAGE LED will flash for 15 seconds (default), then a quick chirp and ARMED green LED will flash and repeat every 30 seconds. Signal above cylinder indicates unit is armed.

NOTE: Unit is automatically armed 15 seconds after it is turned on. Field selectable settings listed at bottom of page.

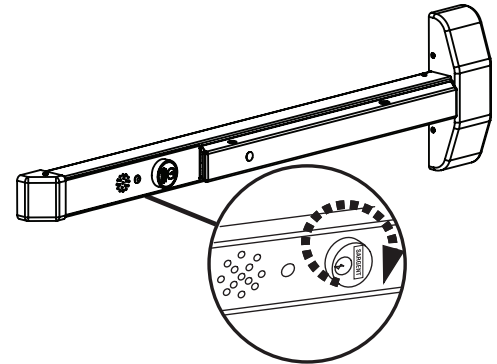


Figure 16

b

Security/Tamper Violation

When ARMED, depressing the push rail will activate alarm. Horn will sound and red violation LED will flash. The horn will continue to sound for two (2) minutes (default). After two (2) minutes, unit will reset on its own and red LED will flash every 30 seconds until rearmed using the key. Turn key counter-clockwise to deactivate alarm. Turn key clockwise to rearm alarm.

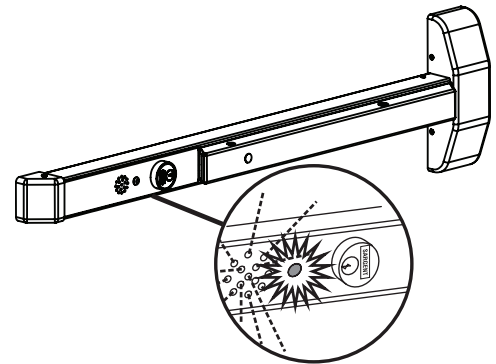


Figure 17

c

Low Battery Alert

Horn chirps intermittently to indicate low battery condition. Replace 9-volt alkaline battery.

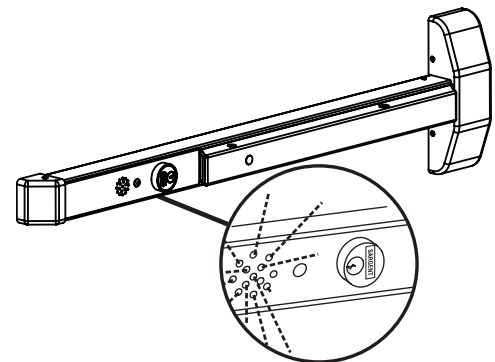


Figure 18

9

Optional Features

Once power is connected, turn key clockwise to activate alarm. A time delay of 7, 10, 15 or 20 seconds initiates prior to rail going into an armed state. This allows individualized alarm setting. LED will flash yellow during this time.

Horn will chirp one (1) time. LED will flash green and repeat every 30 seconds to indicate unit is armed. Once armed, depress push bar to sound alarm. Rail alarm will sound until disarmed using one (1) of the following methods:

1. Rail cylinder key
2. Automatic reset (after optional field settable time delay of 2, 5 or 10 minutes)

LED will flash red every 30 seconds to indicate rail has been violated and will continue to flash red until unit is reset manually. If battery powered and low battery voltage is detected, horn chirps quickly and repeats every 10 seconds until battery is replaced.

These field selectable switches can change the following functions:

Auto Alarm Reset

DS3	DS4	Timer Reset
Off	Off	2 minutes
Off	On	5 minutes
On	Off	10 minutes
On	On	Continuous

Request to Exit/Passage Time Delay

DS1	DS2	Timer Reset
Off	Off	7 seconds
Off	On	10 seconds
On	Off	15 seconds
On	On	20 seconds

5300 Series

Alarmed Exit Devices

Installation Instructions

SARGENT

ASSA ABLOY

Page intentionally left blank.

The ASSA ABLOY Group is the global leader in access solutions. Every day, we help billions of people experience a more open world.

ASSA ABLOY Opening Solutions leads the development within door openings and products for access solutions in homes, businesses and institutions. Our offering includes doors, frames, door and window hardware, locks, perimeter fencing, access control and service.

SARGENT
ASSA ABLOY

SARGENT Manufacturing Company
100 Sargent Drive
New Haven, CT 06511 USA
800-727-5477
www.sargentlock.com