

# 5300/5500 DOOR CLOSER MODELS

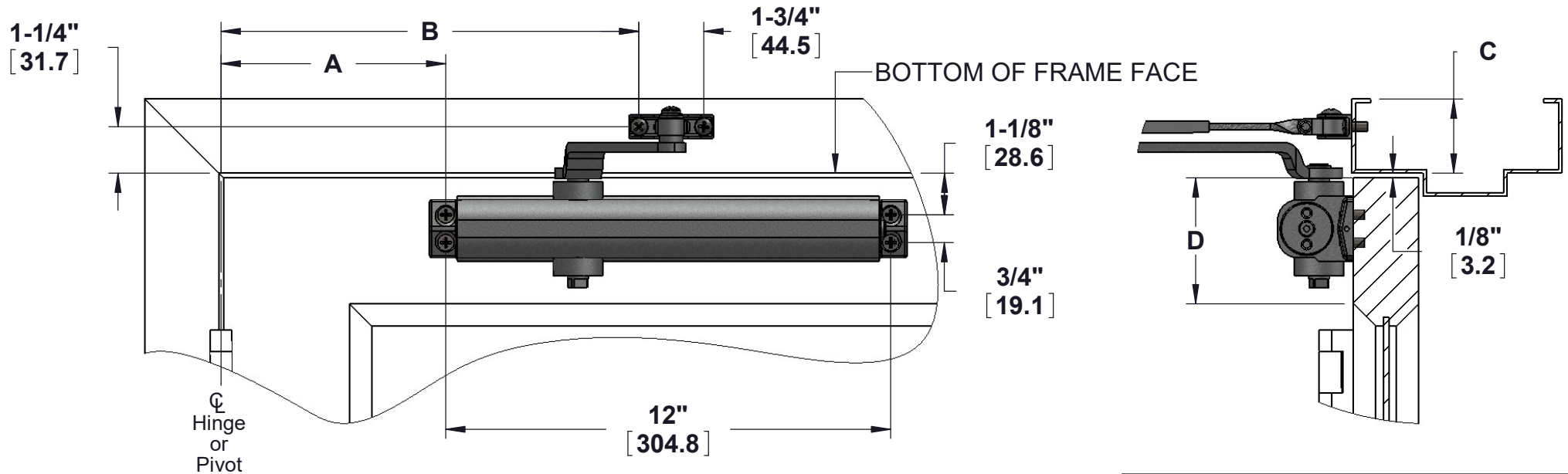
REGULAR ARM INSTALLATION - PULL SIDE  
NON-HOLD OPEN AND HOLD OPEN APPLICATIONS

TEMPLATE: 539301,  
REV. 0 01-31-12

Opening	Dim. A	Dim. B
To 100°	7-1/2" [190.5]	13" [330.2]
101° to 130°	6" [152.4]	11-1/2" [292.1]
Over 131°	4-1/2" [114.3]	10" [254]

Dim. C	
MIN. CEILING CLEARANCE NON-HOLD OPEN	1-7/8" [47.6]
MIN. CEILING CLEARANCE HOLD OPEN	2" [50.8]
MIN. FACE HEIGHT NON-HOLD OPEN	1-5/8" [41.3]
MIN. FACE HEIGHT HOLD OPEN	1-3/4" [44.5]

Dim. D	
MIN. RAIL TO MOUNT CLOSER	2-1/4" [57.2]
MIN. RAIL TO BOTTOM OF DUST CAP WITH STREAMLINE COVER - 5300 SERIES	3" [76.2]
MIN. RAIL TO BOTTOM OF FULL COVER - 5500 SERIES	3-3/8" [85.7]



## NOTES:

1. DRAWING IS NOT TO SCALE.
2. DIMENSIONS IN **INCHES** [MM].
3. RIGHT HAND DOOR SHOWN. FOR LEFT HAND DOOR REVERSE IMAGE.
4. DIMENSIONS BASED ON 4-1/2" X 4-1/2" BUTT HINGES.
5. DOOR SWING MAY BE ALTERED DUE TO OTHER LIMITING CONDITIONS.
6. CAUTION: SEX NUTS MAY BE REQUIRED FOR UNREINFORCED DOORS OR COMPOSITE FIRE DOORS. CONSULT MANUFACTURER'S RECOMMENDATIONS.
7. HOLD OPEN ARMS CAN NOT BE USED ON LABELED FIRE DOORS.
8. ALWAYS CHECK PDQ WEBSITE FOR THE MOST RECENT REVISION AT [WWW.PDQLOCKS.COM](http://WWW.PDQLOCKS.COM).

<b>MACHINE SCREWS:</b> USE #7 OR 13/64" [5.1] DRILL AND 1/4-20 TAP
<b>WOOD DOOR/FRAME SCREWS:</b> USE 5/32" [4] DRILL
<b>SEX NUTS:</b> USE 3/8" [9.5] DRILL (CLOSER TO DOOR)