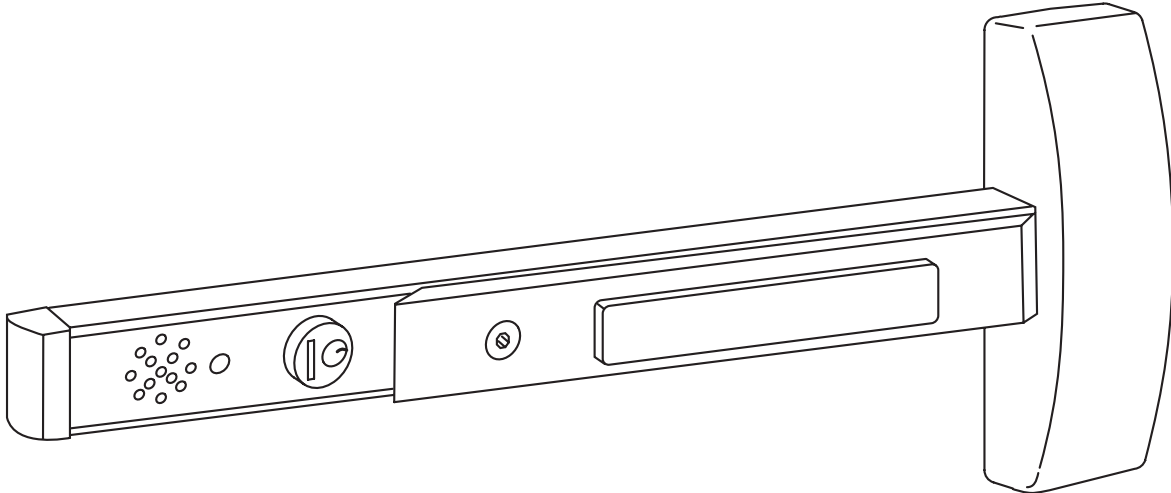


Installation Instructions For Alarmed Exit Devices AL- 80 Series

SARGENT[®]
ASSA ABLOY



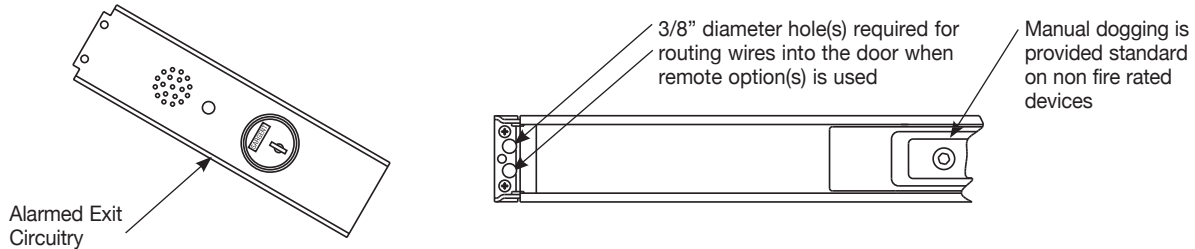
A7224C
5/08

Table of Contents

	Page
1 General Description	1
2 Basic Installation Instructions	1
3 Cylinder Installation	2
4 Alarmed Exit (AL-) Standard Operating Instructions.....	3
5 Options	3
6 Care of Finish.....	Back Cover

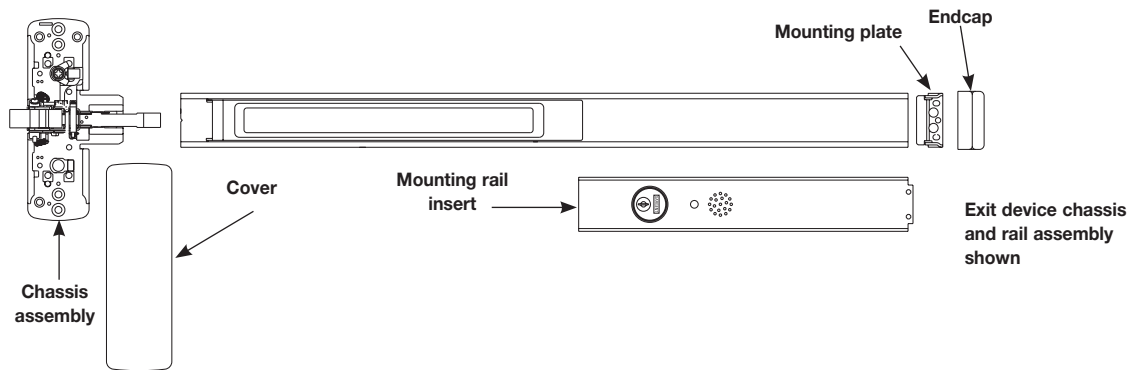
1 General Description

The SARGENT Alarmed Exit is designed for areas that require an alarm to sound upon exiting. Once armed, any push rail movement will activate the horn in the push rail. The horn will continue to sound for two minutes and then shut off automatically. The LED will flash indicating a violation has occurred.



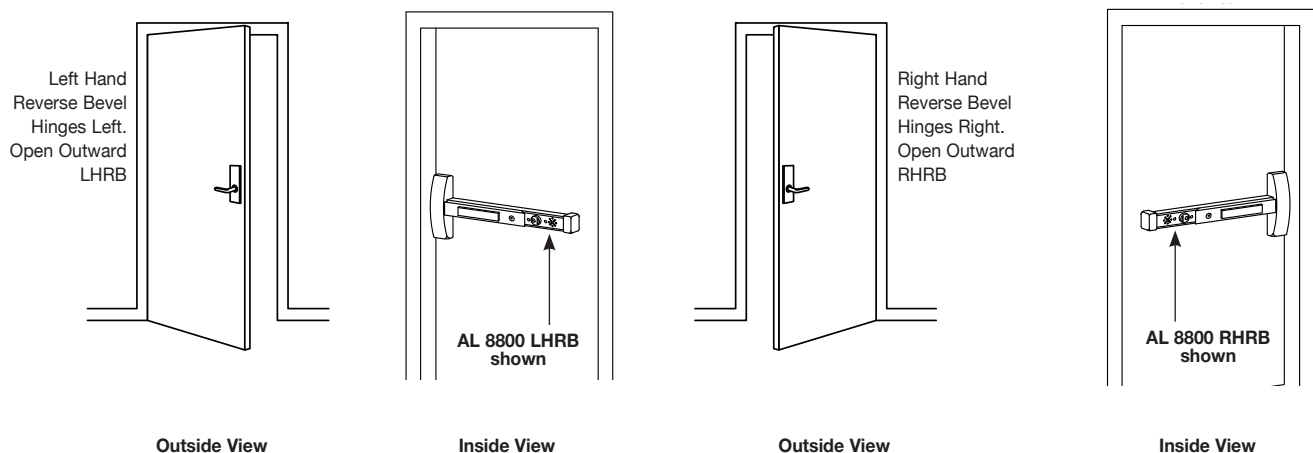
*Field cut rail assemblies are not allowed. Exit Device must be ordered from the factory for specific door width.

Miscellaneous Parts



2 Basic Installation Instructions

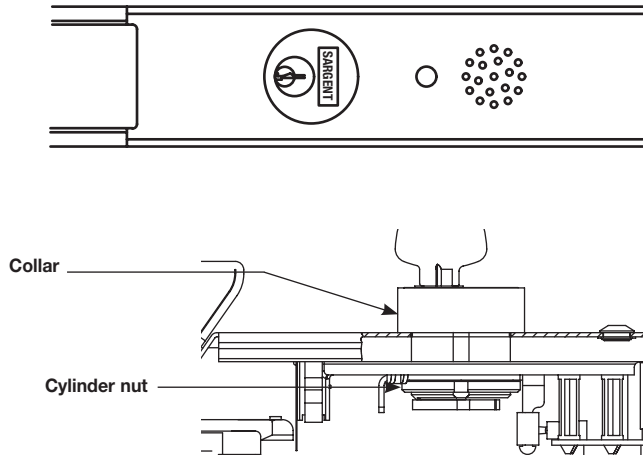
Verify hand and bevel of door. Exit devices are always reverse bevel and are mounted on the inside of the door.



1. Installation must be performed by a trained experienced service person.
2. 9V battery operated.
3. No external wires unless 546 Wiring harness used - See instruction sheet (A7251B) included with kit.

3 Cylinder Installation

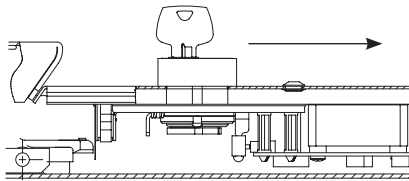
1. Prepare door according to template and Alarmed Exit instruction sheet.
2. Verify cylinder (size 41) is installed in rail insert with collar prior to installing exit device on door.



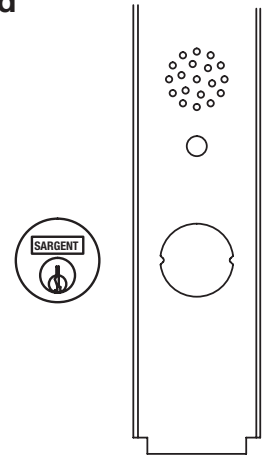
Side View. Battery holder not shown. Use caution not to damage wires when installing cylinder nut.

To Add or Remove Cylinder

1. Remove Insert Assembly from rail by sliding toward rail end.

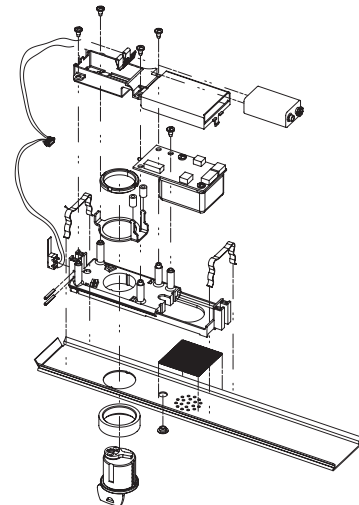


Installation and Orientation of Cylinder



Cylinder Orientation

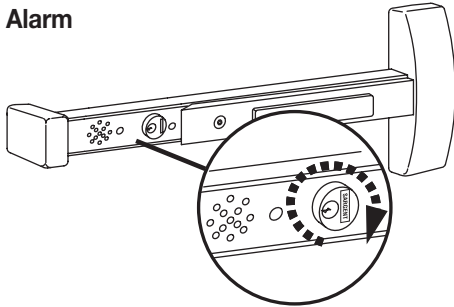
2. Slide cylinder through collar into the insert as shown. **NOTE: Orientation of the cylinder.** Secure the cylinder with cylinder nut. Tighten firmly.
3. Operate cylinder and verify cam is operating switch properly.



Copyright © 2008 SARGENT Manufacturing. All rights reserved. Reproduction in whole or in part without the express written permission of SARGENT Manufacturing is prohibited.

4 Alarmed Exit (AL-) Standard Operating Instructions

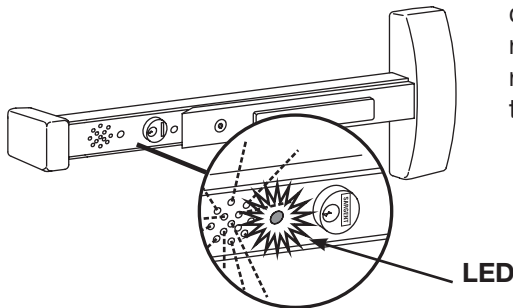
To Arm Alarm



Turning key clockwise, the yellow PASSAGE LED will flash for 15 seconds (default), then a quick chirp and the ARMED green LED will flash and repeat every 30 seconds. Signal above cylinder indicates unit is armed.

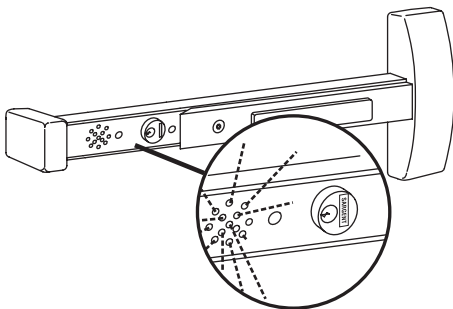
NOTE: The unit is automatically armed 15 seconds after the unit is turned on. Field selectable settings listed at bottom of page.

Security/Tamper Violation



When ARMED, depressing the push rail will activate the alarm and the horn will sound and red violation LED flashes. The horn will continue to sound for 2 minutes (default). After 2 minutes the unit will reset on its own and the red LED will flash every 30 seconds until rearmed using the key. Turn the key counter clockwise to deactivate the alarm, then clockwise to rearm.

Low Battery Alert



Horn chirps intermittently to indicate low battery condition. Change battery.

Battery

9 volt alkaline battery

5 Optional Settings

These field selectable switches can change the following functions:

Auto Alarm Reset

DS3	DS4	Timer Reset
Off	Off	2 minutes
Off	On	5 minutes
On	Off	10 minutes
On	On	Continuous*

Request to Exit/Passage Time Delay

DS1	DS2	Timer Reset
Off	Off	7 seconds
Off	On	10 seconds
On	Off	15 seconds
On	On	20 seconds

* Recommend 3267 power supply and 546 wiring harness

Alarmed Exit Devices AL-80 Series

SARGENT®

ASSA ABLOY

5 Optional Settings Continued

DS5

ON = GREEN/ARMED, RED/VIOLATION AND YELLOW/ PASSAGE (DEFAULT)

OFF= GREEN/VIOLATION, RED/ARMED AND YELLOW PASSAGE.

DS6 (Needs 546 wire harness)

ON= Monitor relay is enabled (will activate when rail is violated)

See optional 546 wiring instructions A7251 for more information

6 Care of Finish

The following guidelines should be referenced regularly as required for proper appearance and longevity of finish:

For Finishes:

US3	Polished brass	US15	Satin nickel plate
US4	Satin brass	US20D	Dark statuary bronze- lacquered
US9	Polished bronze	US26	Polished chrome
US10	Satin bronze	US26D	Satin chrome
US10B	Oxidized satin bronze – oil rubbed	US32	Polished stainless steel
US10BL	Oxidized satin bronze – lacquered	US32D	Satin stainless steel*

Use a mild non-abrasive detergent with damp cloth or sponge.

For the **US10B** Oxidized satin bronze- oil rubbed finish use a lemon oil polish with a dry cloth.

For all finishes mentioned above: Avoid abrasive cleaners, bleach solvents, steel or bronze wool.

For the **US32D** Satin stainless steel* finish use a plastic pad or bronze wool and avoid cleaners, solvents, bleach, and steel wool.

*To avoid discoloration and pitting:

- keep stainless steel away from contact with other metals
- avoid cleaning with mineral acids or chlorine products
- avoid cleaning with abrasive products like sandpaper or steel wool

To maintain the finish:

- frequent cleaning with a product specific for stainless will avoid discoloration and pitting
- remove any contamination before damage occurs
- protect with a metal polish or car wax

For installation assistance, contact SARGENT at 800-810-WIRE (9473)

Founded in the early 1800s, SARGENT® is a market leader in locksets, cylinders, door closers, exit devices, electro-mechanical products and access control systems for new construction, renovation, and replacement applications. The company's customer base includes commercial construction, institutional, and industrial markets.

Copyright © 2008 SARGENT Manufacturing. All rights reserved.
Reproduction in whole or in part without the express written permission of SARGENT Manufacturing is prohibited.

ASSA ABLOY is the global leader in door opening solutions, dedicated to satisfying end-user needs for security, safety and convenience.

A7224C-5/08