

INSTALLATION INSTRUCTIONS

#6010 Replacement Kit.

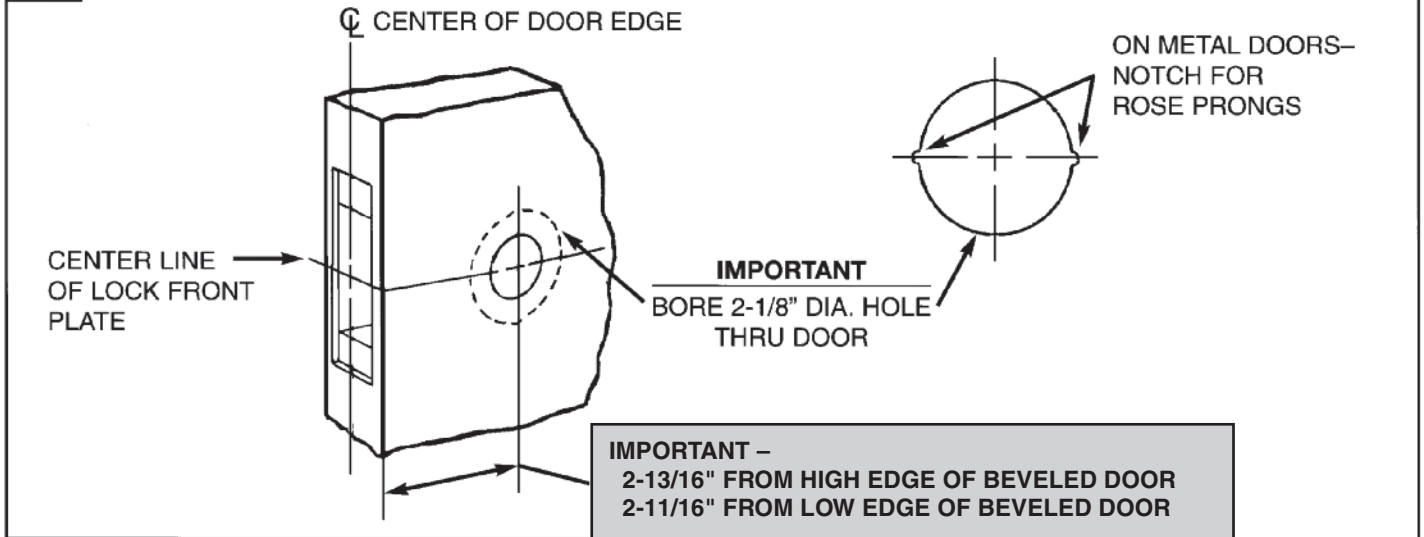
For Replacing SARGENT 7600 Line Locksets with 7 Line, 8 Line, 10 Line or T-Zone Locksets having 3-1/2" Dia. Round or 3-1/8" Square Roses.

SARGENT®

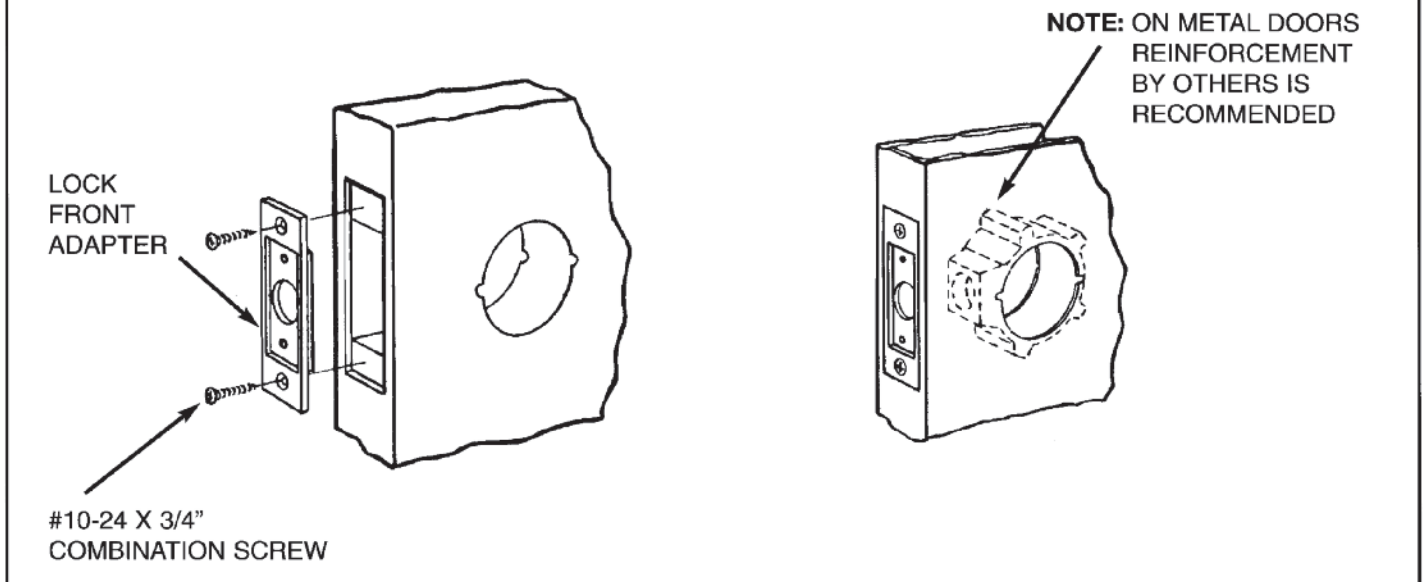
ASSA ABLOY

FOR INSTALLATION ASSISTANCE CALL SARGENT AT 1-800-727-5477 • www.sargentlock.com

1 REMOVE OLD LOCK AND STRIKE AND PREPARE DOOR.



2 ATTACH FRONT ADAPTER TO EXISTING DOOR EDGE MORTISE AND INSTALL THE LOCKSET ACCORDING TO INSTRUCTIONS.



3 ATTACH NEW ADAPTER STRIKE TO DOOR FRAME.