

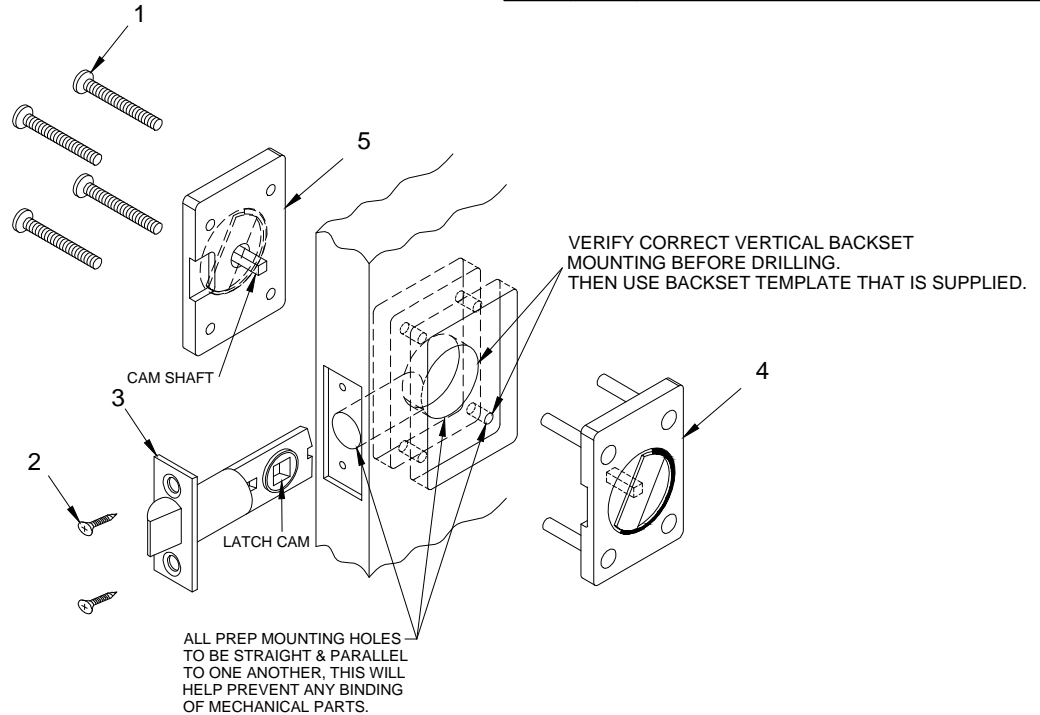
6200FMAB SERIES INSTALLATION

• FLUSH MOUNT ASYLUM TRIM ON BOTH SIDES

NOTES

1. TRIM CAN BE MOUNTED VERTICALLY **ONLY**.
2. VISION LITE MUST BE AT LEAST 6" FROM CENTERLINE OF TRIM.

ITEM	QTY	PART DESCRIPTION
1	4	10-32 x 1" PH. TRUSS HD. M.S.
2	2	#8 x 3/4" PH. FL. HD. W.S.
3	1	LATCH
4	1	FM TRIM ASSEMBLY (sex bolts)
5	1	FM TRIM ASSEMBLY (screw mounting.)

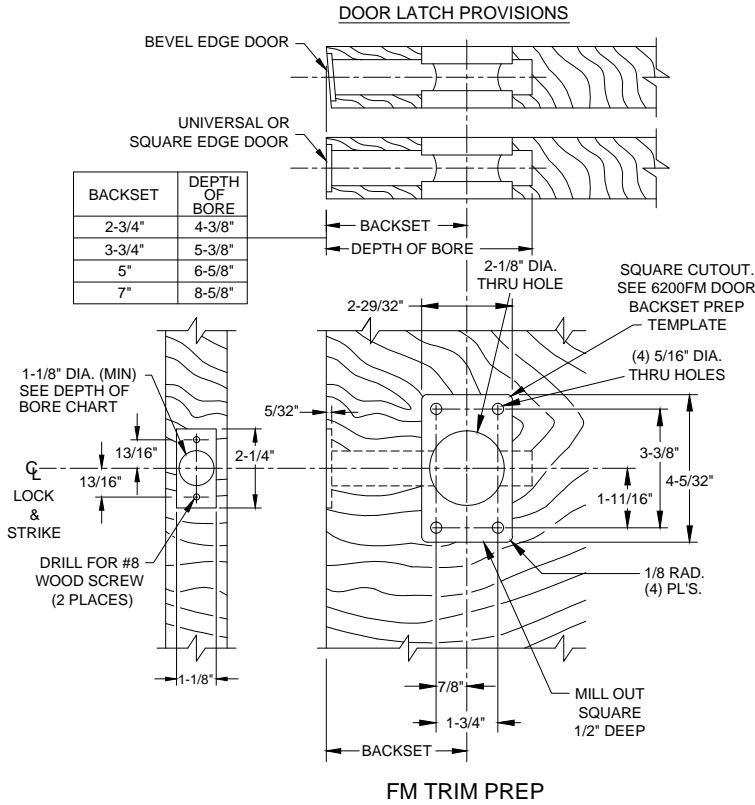


INSTALLATION INSTRUCTIONS:

1. Prep door according to latch backset, vertical mounting **ONLY** using backset template.
2. Install latch (item 3) using wood screws (item 2).
3. Prep door for FM trim according to the 6200FM wood door backset prep template or reference page 2 of 3 for door prep.
4. Determine which side of the door that will receive the FM trim mounting screws (item 1).
5. Install the FM trim (item 4, sex bolts) into door cutout rotate the handle to desired position by sliding cam shaft into latch cam.
6. Place FM trim (item 5) on other side of the door and rotate the handle to desired position by sliding cam shaft into latch cam. Fasten with (4) 10-32 machine screws (item 1).
7. Test handles for free movement of the latch bolt before tightening all screws. If latch bolt does not extend or retract freely because of any type of binding, Loosen mounting screws to adjust alignment of trim handles and re-tighten screws one at a time while checking latch bolt movement from both handles.
8. Test for proper operation and check that the mounting hardware (item 1) & **IS TIGHT**.

PATENT PENDING

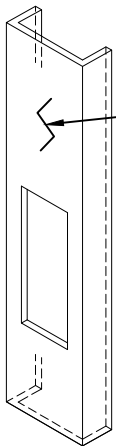
6200FMAB SERIES PUSH/PULL LATCH - DOOR PREP



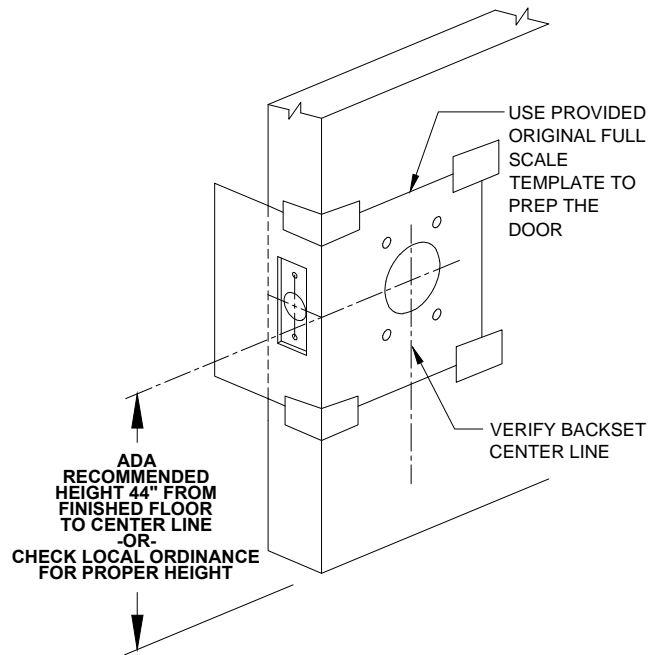
WOOD DOOR (VERTICAL MOUNTING ONLY SHOWN)

DOOR PREP INFORMATION:

1. BACKSET DIMENSION FROM LOW EDGE OF BEVEL.
2. CENTER PUNCH ALL HOLES.



EDGE GUARD NOTE:
WHEN PREPPING THE DOOR FOR THE BACKSET, DETERMINE IF THE DOOR WILL RECEIVE AN EDGE GUARD. IF SO, THE EDGE GUARD SHOULD BE INSTALLED FIRST AND THEN THE PREP FOR THE LATCH BACKSET SHOULD BE MEASURED FROM THE OUTSIDE EDGE OF THE EDGE GUARD.

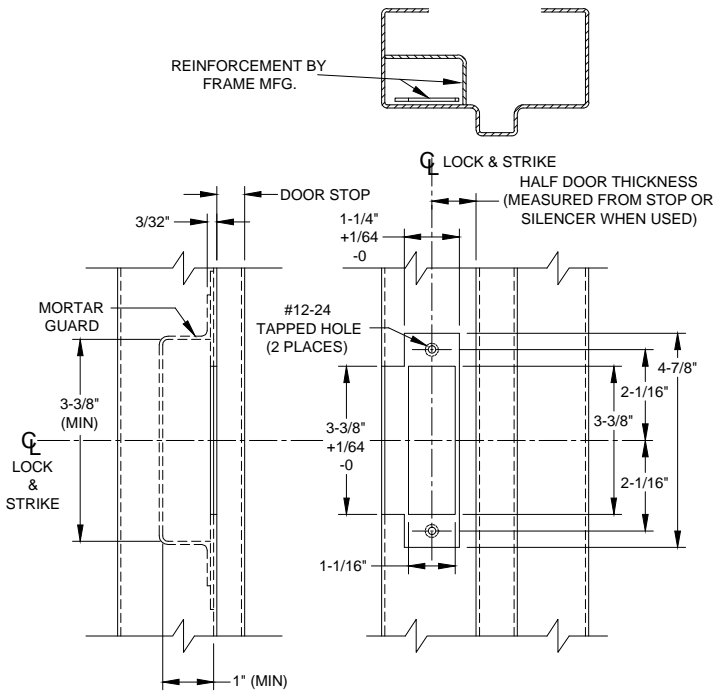


® www.abhmfg.com
E-mail: abhinfo@abhmfg.com
Architectural Builders Hardware Mfg., Inc.
1222 Ardmore Ave., Itasca, IL 60143
630.875.9900; FAX 800.9FAXABH (932.9224)

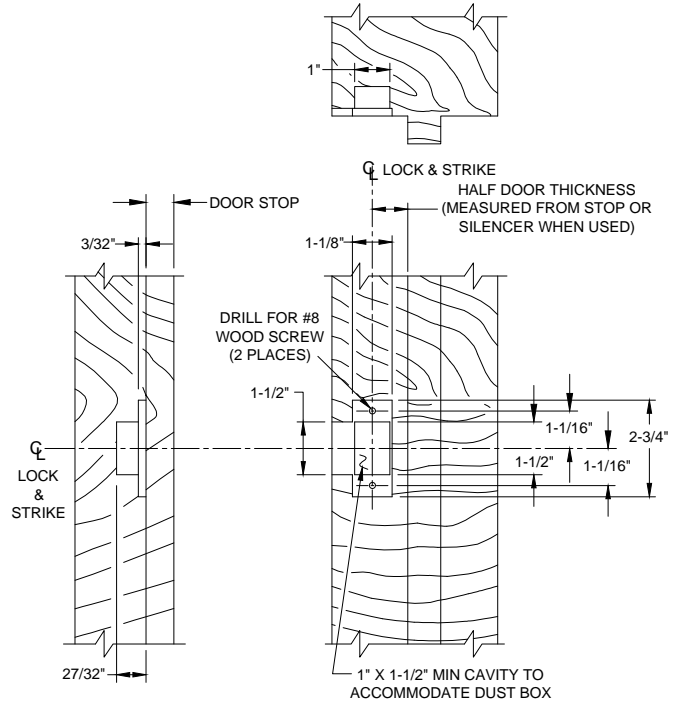
© 2017 ABH Mfg., Inc.
printed in USA

6200FMAB-2-01.DWG
6200FMAB
PAGE 2 OF 3
REVISED 05-19-17

6200FMAB SERIES PUSH/PULL LATCH - FRAME PREP



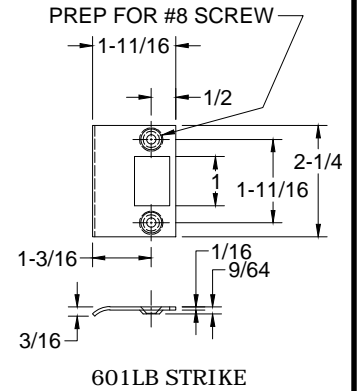
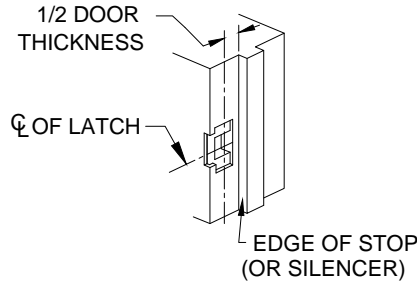
METAL FRAME
(ASA STRIKE SHOWN FOR EXAMPLE)



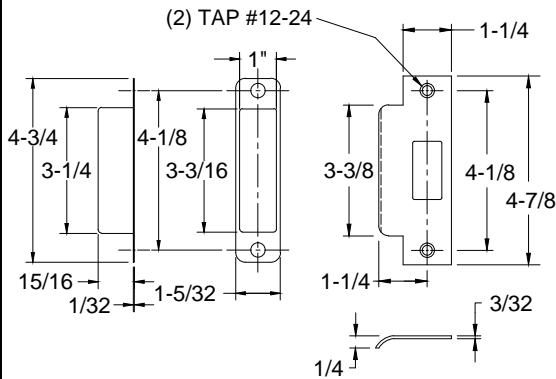
WOOD FRAME
(**"T"** STRIKE SHOWN FOR EXAMPLE)

FRAME PREP:

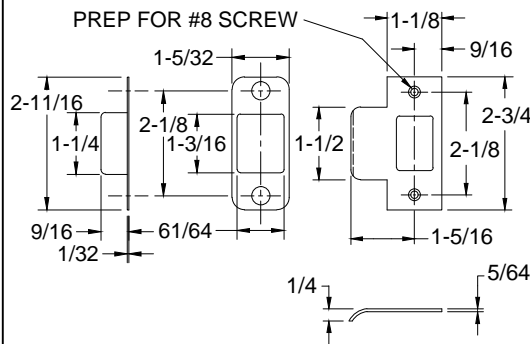
1. Mark centerline of latch bolt on frame.
2. Center strike and mark screw positions.
3. Mortise to required strike and box depth.
4. All dimensions in inches.



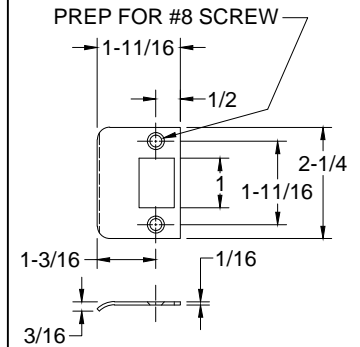
601LB STRIKE



ASA STRIKE & DUST BOX



"T" STRIKE & DUST BOX



"D" STRIKE

6200FMAB-3-01.DWG



® www.abhmfg.com
E-mail: abhinfo@abhmfg.com
Architectural Builders Hardware Mfg., Inc.
1222 Ardmore Ave., Itasca, IL 60143
630.875.9900; FAX 800.9FAXABH (932.9224)

©2017 ABH Mfg., Inc.
printed in USA

6200FMAB

PAGE 3 OF 3

REVISED 05-19-17