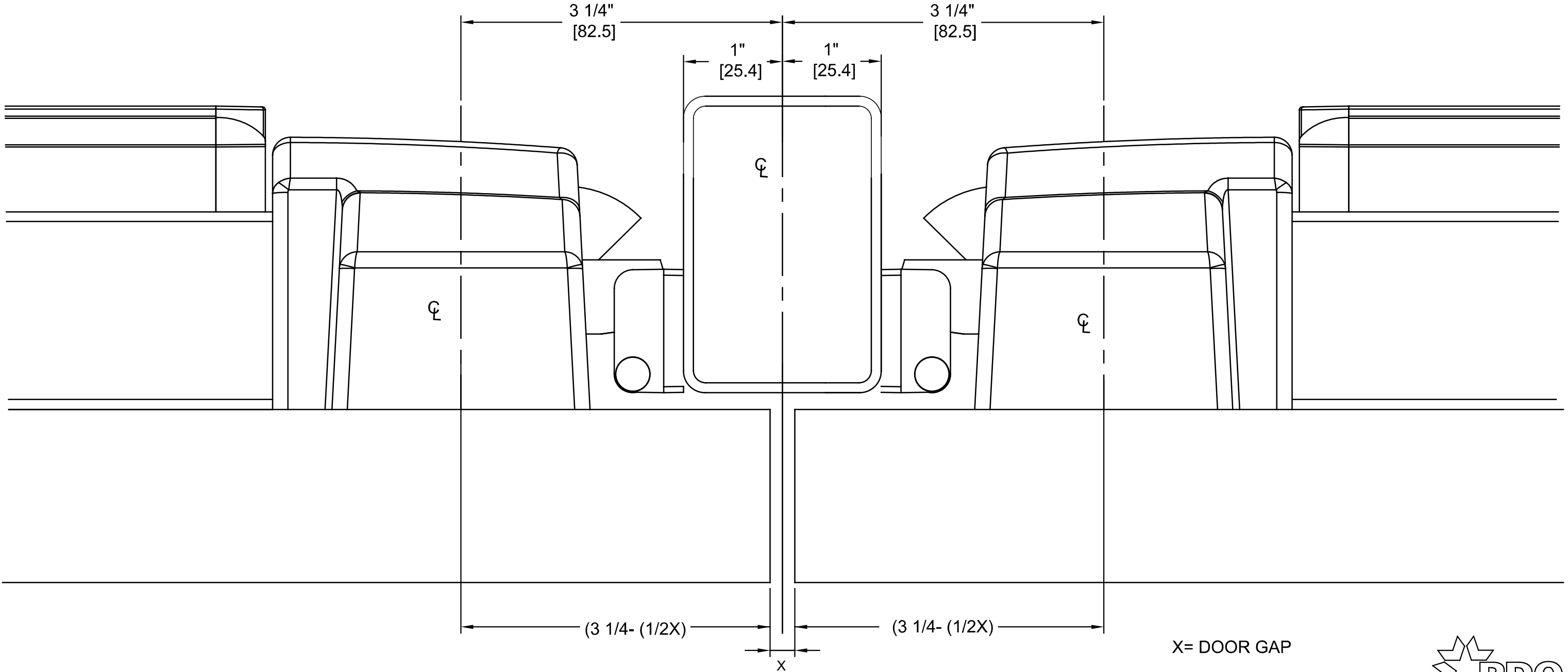


**6200R - PANIC LABELED
RIM EXIT DEVICE MODELS WITH PANIC MULLION**
6200 SERIES EXIT DEVICES WITH STRIKE 629036



X= DOOR GAP

Top View



PDQ Manufacturing
2230 Embassy Dr.
Lancaster, PA 17603
833-273-7832
833-2 PDQTECH
www.pdqlocks.com

6200R - PANIC LABELED RIM EXIT DEVICE MODELS FOR 2-1/4" BACKSET FROM MULLION

6200 SERIES EXIT DEVICES WITH STRIKE 629036

TEMPLATE: 629322
 REV. 0 1-12-2018
 PAGE 1 OF 2

MACHINE SCREWS: USE #7 OR 13/64" [5.1] DRILL AND 1/4-20 TAP
WOOD DOOR/FRAME SCREWS: USE 5/32" [4.0] DRILL
SEX NUTS: USE 3/8" [9.5] DRILL

NOTES:

1. VERIFY PRINTED TO SCALE.
2. DIMENSIONS IN **INCHES** [MM].
3. SEX NUTS MAY BE REQUIRED FOR UNREINFORCED DOORS OR COMPOSITE FIRE DOORS. CONSULT DOOR MANUFACTURER'S RECOMMENDATIONS.
4. SEE TRIM TEMPLATE (IF APPLICABLE) FOR RELATED MACHINING DETAILS.
5. DIMENSION "X" MEASURES 31-1/4" [793.8] UNCUT FOR 36" [914.4] DOOR.

DIMENSION "X" MEASURES 43-1/4" [1098.6] UNCUT FOR 48" [1219.2] DOOR.
6. RECOMMENDED DIMENSION FROM FINISHED FLOOR MAY VARY BY APPLICATION, CODES OR BUILDING SPECIFICATIONS.
7. ALWAYS CHECK PDQ WEBSITE FOR MOST RECENT REVISION AT WWW.PDQLOCKS.COM

