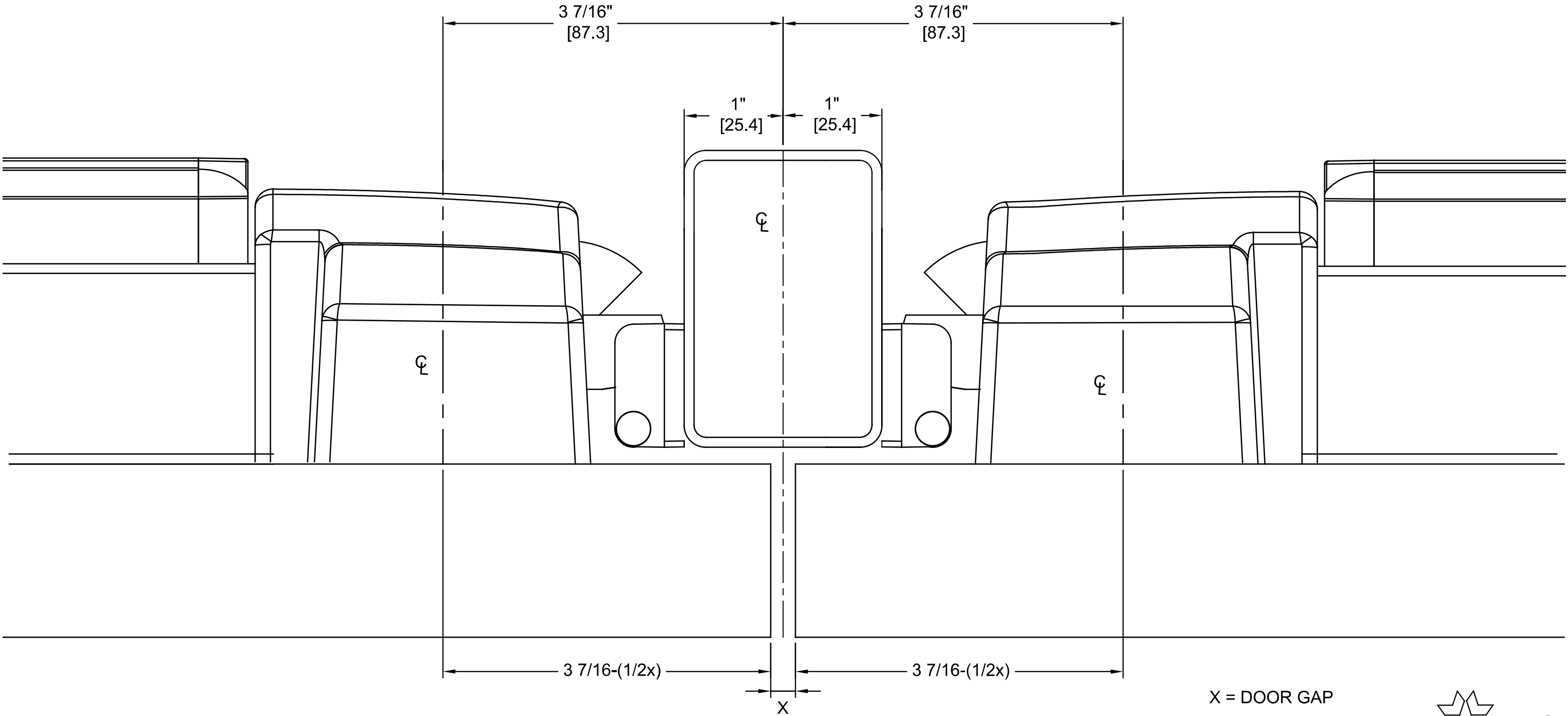


**6200RF - FIRE LABELED
RIM EXIT DEVICE MODELS WITH FIRE MULLION**
6200 SERIES EXIT DEVICES WITH STRIKE 929012F

TEMPLATE: 629325
REV. 2 3-9-2018
PAGE 2 OF 2



Top View

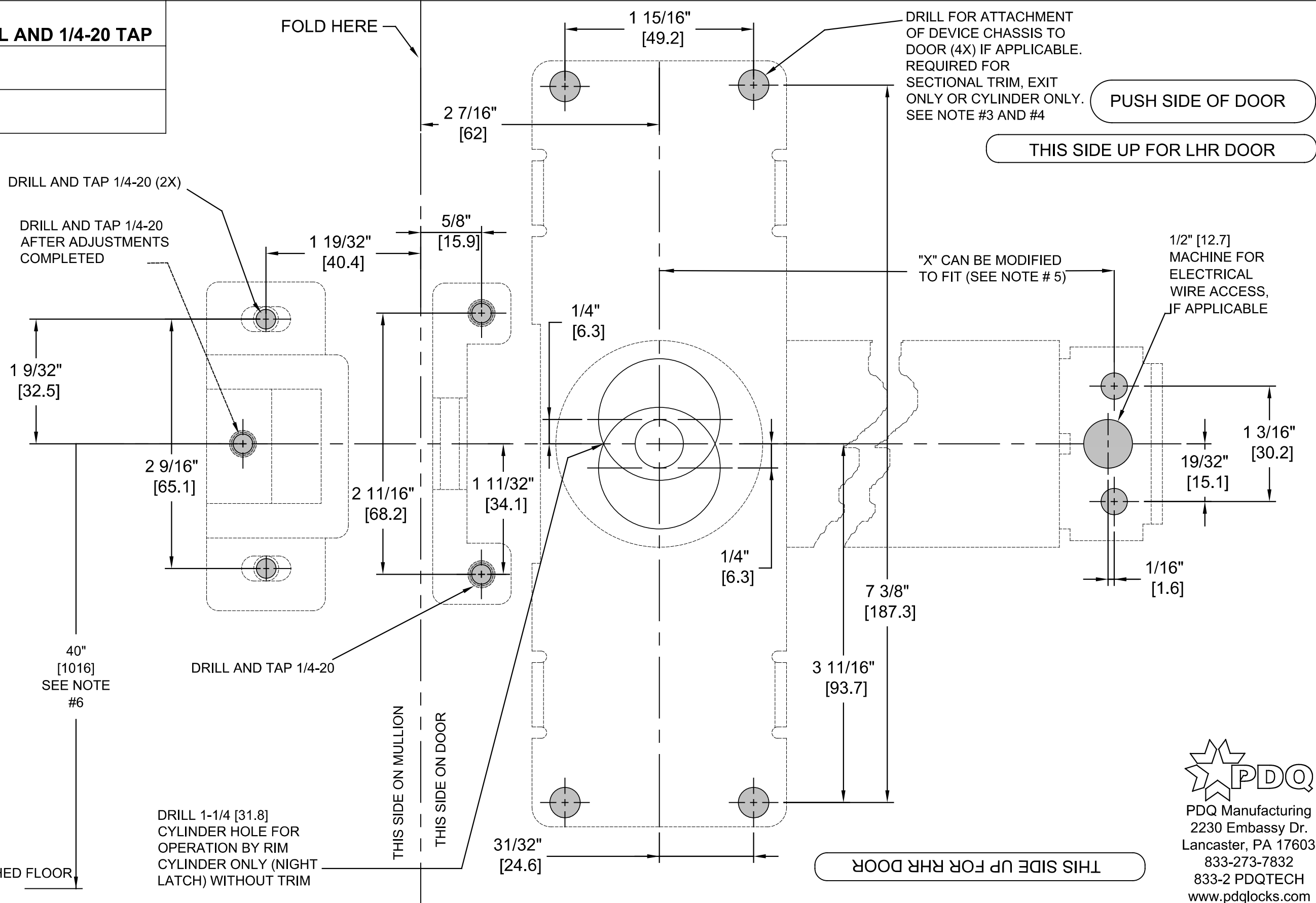


PDQ Manufacturing
2230 Embassy Dr.
Lancaster, PA 17603
833-273-7832
833-2 PDQTECH
www.pdqlocks.com

6200RF - FIRE LABELED RIM EXIT DEVICE MODELS WITH MULLION

6200 SERIES EXIT DEVICES WITH STRIKE 929012F

MACHINE SCREWS: USE #7 OR 13/64" [5.1] DRILL AND 1/4-20 TAP
WOOD DOOR SCREWS: USE 5/32" [4.0] DRILL
SEX NUTS: USE 3/8" [9.5] DRILL



- NOTES:
1. VERIFY PRINTED TO SCALE.
 2. DIMENSIONS IN INCHES [MM]
 3. CAUTION: SEX NUTS MAY BE REQUIRED FOR UNREINFORCED DOORS OR COMPOSITE FIRE DOORS. CONSULT DOOR MANUFACTURE'S RECOMMENDATIONS
 4. SEE TRIM TEMPLATE (IF APPLICABLE) FOR RELATED MACHINING DETAILS
 5. DIMENSION "X" MEASURES 31-1/4" [793.8] UNCUT FOR 36" [914.4] DOORS
DIMENSION "X" MEASURES 43-1/4" [1098.6] UNCUT FOR 48" [1219.2] DOORS
 6. RECOMMENDED DIMENSION FROM FINISHED FLOOR MAY VARY BY APPLICATION, CODES OR BUILDING SPECIFICATIONS
 7. ALWAYS CHECK PDQ WEBSITE FOR MOST RECENT REVISION AT WWW.PDQLOCKS.COM